

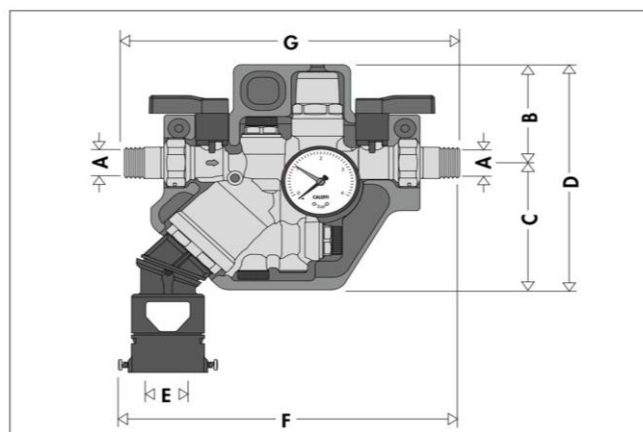
HS580011

Caleffi Fill & Backflow Valve 1/2"



### Technical Specification

- Body: brass EN 12165 CW617N
- Check valves: POM-EPDM
- Springs: stainless steel EN 10270-3 (AISI 302)
- Diaphragm and seals: EPDM
- Strainer mesh size: 0.4 mm
- Medium: potable water
- Max. working pressure: 10 bar
- Max. working temperature: 65 °C
- Backflow preventer
- Designation Family B, Type A
- Certification: EN 12729
- Pressure test ports: upstream, intermediate, downstream
- Filling unit
- Adjustment range: 0.8–4bar
- Factory setting: 1.5bar
- Indicator accuracy: ± 0.15bar
- Pressure gauge range: 0–4bar
- Connections: 1/2" M (EN 10226-1) with union



Code	A	B	C	D	E	F	G	Mass (kg)
580011	1/2"	66	85	151	Ø40	207	203	1,35

### Application

The Caleffi Fill & Backflow Valve 1/2" is used in heating & cooling systems to control water pressure and is installed mostly in plant rooms.

### Warranty

[Download the latest warranty statement](#)

### Features

The compact automatic charging unit is composed of a shut-off valve with an inspectable strainer, a BA-type controllable reduced pressure zone backflow preventer and an automatic filling unit. It is installed on the water inlet piping in closed circuit heating systems. It maintains the pressure of the system stable at a set value, automatically topping up with water as required. The backflow preventer prevents the contaminated water of the closed heating circuit from flowing back into the domestic water supply, in accordance with the provisions of EN 1717. The device is supplied complete with preformed shell insulation and features a compact design to facilitate installation.