

## Aura Granite 500/200mm Single Kitchen Sink



GADBMW

Aura Granite 500/200mm Double Kitchen Sink Matte White

Double kitchen sink insert in a matte white finish engineered stone quartz

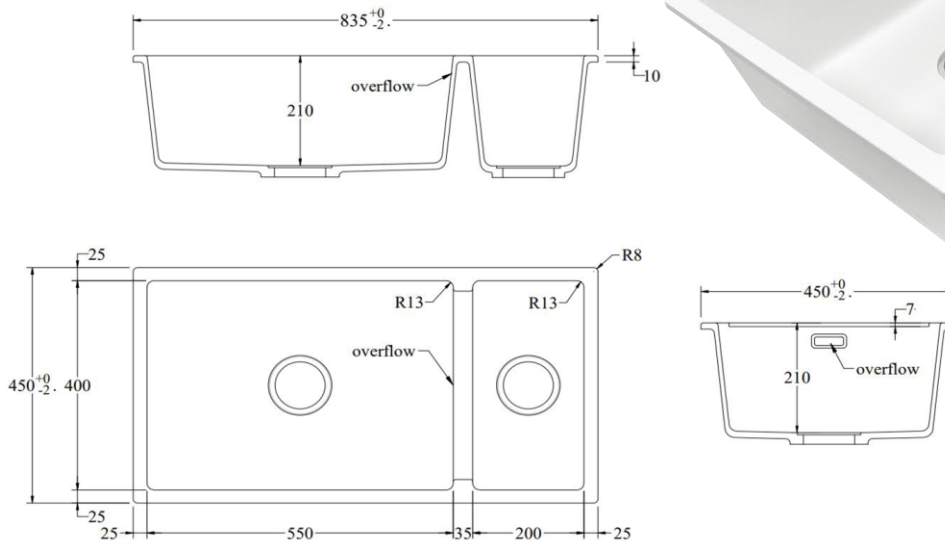
Waste and overflow kit in brushed stainless included, colour upgrade option available in matte black, gun metal, brushed brass and brushed copper

500w/200w x 400h x 210d (mm), approx 39L/15L bowl

Stain resistant

Sound insulated

Note: Can be either installed via top mount or undermount installation



## CARE AND USE

Aura Sinks & Accessories

All finishes are smooth, abrasion resistant, corrosion resistant, fade-proof and easy to clean. All finishes are super hard wearing surfaces that won't chip, peel or tarnish with normal use. All surfaces should be regularly wiped clean with non scouring, neutral wash solutions.

## LIMITED PRODUCT WARRANTIES

To be read in conjunction with and subject to all terms and conditions contained in the Waterware 'Producer Statement' available on-line (<http://www.waterware.co.nz/media-downloads>) From date of purchase, Waterware Services warrants products from the following categories to be free from manufacturing defect subject to exclusions (if applicable):

| Category   | Domestic Installations                    | Commercial Installations                    | Exclusions | Wels         |
|------------|---|---|------------|--------------|
| Aura Sinks | 2 years parts/labour + 8 years parts only | 1 year parts and labour + 1 year parts only | None       | Not required |