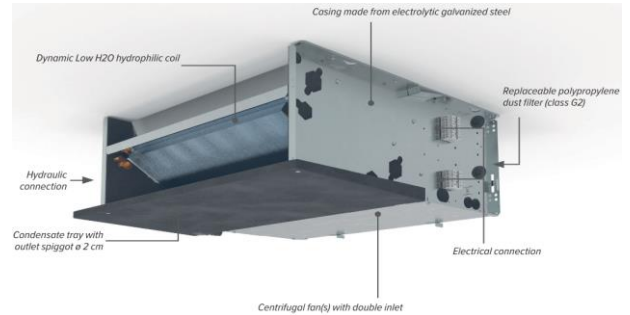




Technical Specification

- Tangential activators with aluminium fins, ball bearings and resin-coated EPDM vibration damping
- Stainless steel air filter
- Condensation tray with drain
- Copper-aluminum 2 pipe hydrophilic coated heat exchanger
- 3/4" Connection
- Sturdy casing manufactured from electro galvanised steel

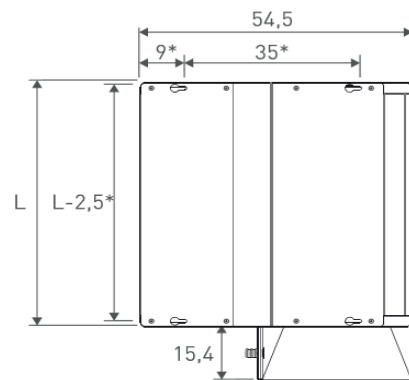


Heating capacity: 1.9kW to 7.5kW @ 45°C

Cooling capacity: 2.4kW to 8.5kW @ 7°C

Noise: 25dB(A) to 51dB(A)

Air flow: 392l



*fixing dimensions

Application

The Jaga Briza 22 Naked 550x1550mm is used in heating & cooling systems to deliver hot or cold air and is installed mostly in plant rooms.

Warranty

[Download the latest warranty statement](#)

Features

BRIZA 22 is an easy to install fan convector for high power ductless or ducted applications. Super-power for heating, cooling and ventilation Briza 22 is the most powerful ventilo-convector for exhibition and retail spaces, office and meeting rooms, school buildings, hotels, winter gardens, etc. Jaga Briza fan convectors ensure the highest climate comfort while being energy-efficient and whisper-quiet. They bring every room up to temperature very quickly, both in winter and in summer. This way you can enjoy an ideal indoor climate year-round. Built-in EC motor for a much lower energy consumption and a longer service life, suitable for connection to any heat source and ideal in combination with heat pumps and low temperature systems, optimized cooling capacity due to the new hydrophilic protection of the copper-aluminum coil, suitable for non-condensing and condensing cooling in combination with any heat pump that has a cooling function, controllable via NeoHC thermostats or the Messana MBox series.

This way you can enjoy an ideal indoor climate year-round.