

PRV6-32

Caleffi 536 Series Pressure Reducing Valve 32mm



Technical Specification

Materials:

Body: brass EN 1982 CB753S

Cover: brass EN 12165 CW617N

Membrane: NBR

Seal: NBR

Seat and filter: stainless steel

Performance:

Max pressure upstream: 25 bar

Downstream pressure setting range: 0.5–6 bar

Factory setting: 3 bar

Max working temperature: 80°C

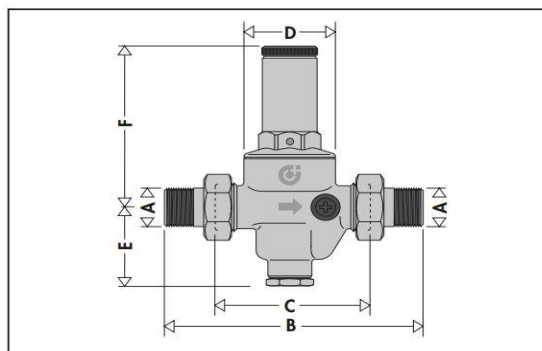
Pressure gauge scale: 0–10 bar downstream

Medium: water

Certification: EN1567

Connections: - 1&1/4" M DN male unions

Pressure gauge connections: 1/4" F



Code	A	B	C	D	E	F
536070/1	1 1/4"	200	110	Ø 72	63	126

Application

The Caleffi 536 Series Pressure Reducing Valve 32mm is used in plumbing systems to control water pressure and is installed mostly in plant rooms.

Warranty

[Download the latest warranty statement](#)

Features

Pressure reducers are devices which, when installed on a water system, reduce and stabilise the pressure entering from the mains.

This incoming pressure is generally too high and variable to be applied directly to domestic systems.

A basic characteristic of a good pressure reducer is that it makes it possible to maintain constant downstream pressure when the upstream pressure varies.