

# AURA SINKS

## GRANITE



3 COLOURS | 5 SIZES



# WATERWARE



[waterware.co.nz](http://waterware.co.nz)



ABOUT  
**WATERWARE**

Since 1989, our passion has been delivering quality in all things plumbing, central heating and cooling, and bathroomware.

Waterware is proudly New Zealand owned and operated. From the outset we've been supporting the market with technical and design knowledge, helping deliver products and solutions that are functional, intuitive and beautiful.

Waterware are innovators setting the pace in New Zealand with hydronic radiant heating and cooling technology, high-performance plumbing fittings, and on-trend bathroomware.

## What we do

### Bathroom

Hand-picked from across the globe, our bathroomware delivers on design, quality and value

We've partnered with our factories to design products that Kiwis are proud to own. Introducing new materials and technologies to suit the local market, with clever design and longer warranties.

### Radiant Heating & Cooling

Ditch noisy blasts of hot or frigid air, drafts, and dust. Waterware are leaders in radiant heating and cooling powered by hydronic solutions, with three technologies available for superior comfort in commercial and residential applications.

### Plumbing

If you want clever designs, greater aesthetics, more sustainable material choices, and manufacturing processes that are considerate to our environment, then we have the products and solutions for you.

### The Solutions Suite

In engineering, a bigger hammer would do it – but smarter problem solving does it better. Talk to us about innovation, and how we can solve your bathroom, plumbing, heating, and cooling issues with customised solutions.



## Our commitment

We're on a mission to make lives easier with plumbing, central heating and cooling, and bathroomware solutions that look great and perform their best.

Waterware is constantly evolving to lead the market while reflecting our values of integrity, bold thinking, and genuine partnerships with everyone we interact with. We want to create environments of success for everyone involved.

We take special pride in our pre- and post-sales service experience, and our impressive network of business relationships around the world. Over the years, we've connected with thousands of like-minded partners to help us source products that suit our local market and perform better than any others.

Our products are supported by our extensive range of spare parts, and our in-house Installer Training and Warranty Assurance programmes, so you can rest assured that you'll be taken care of.

ABOUT  
**AURA GRANITE SINKS**

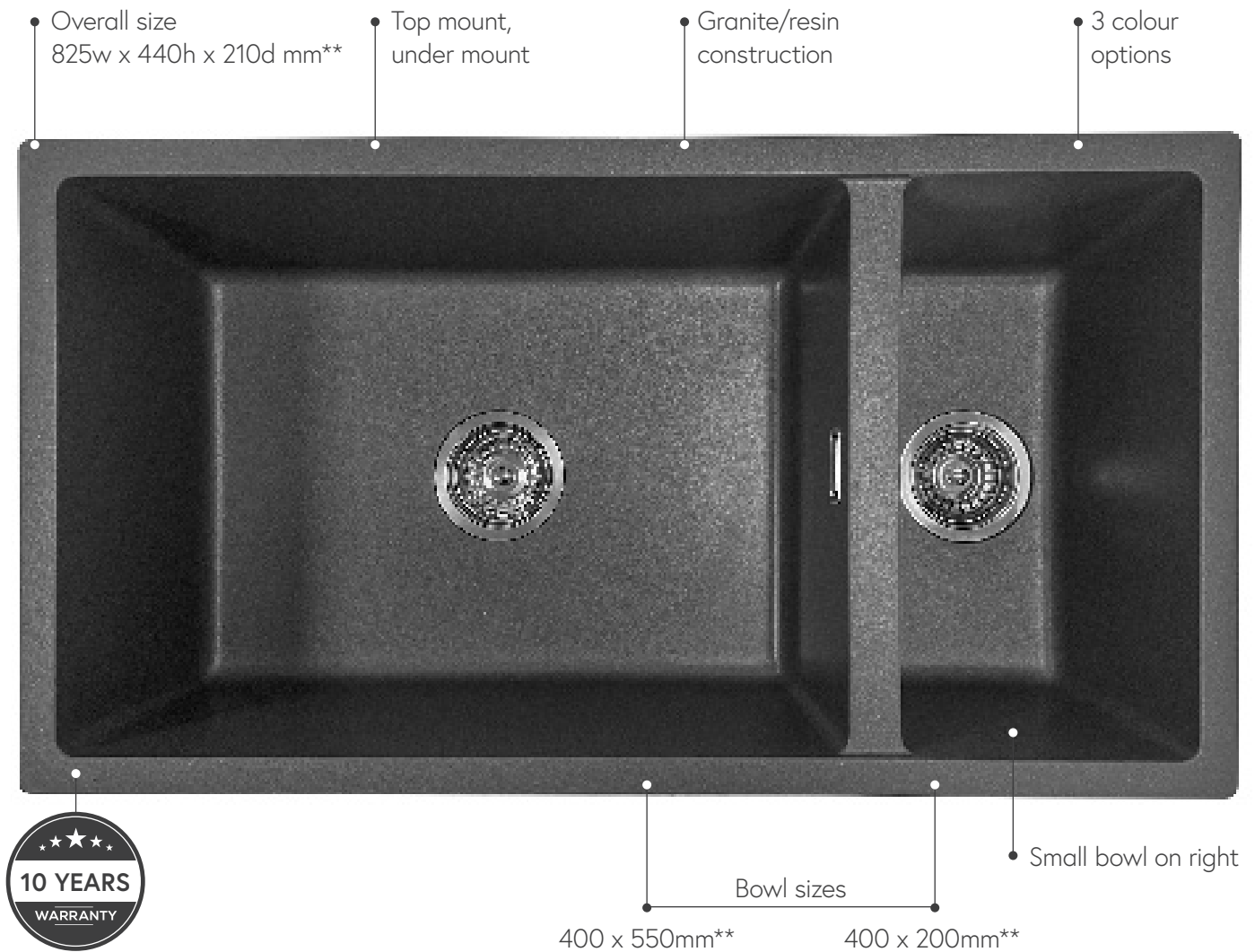
Granite sinks are the new black.

If you're looking to add some sophistication and elegance to your kitchen, look no further than granite kitchen sinks. These beautiful sinks are made from crushed granite and resin, and they come in a variety of sizes and colors. They can be installed in a number of ways, including on top of the counter or flush-mounted.

Granite kitchen are made from a mixture of crushed granite and resin and have been growing in popularity in recent years due their anti-bacterial properties, durability, resistance to

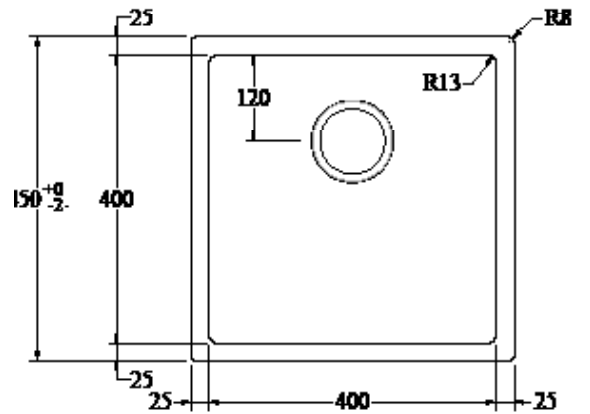
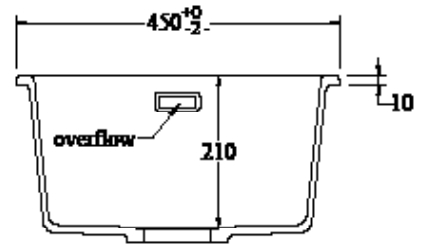
scratches, chips, heat and unique appearance. They are easy to clean - simply wipe them down.

While granite kitchen sinks are generally durable, they do require some care to maintain their appearance over time. It is important to avoid using abrasive cleansers or scrubbers on the sink, as these can cause scratches or damage to the surface. It is also important to avoid leaving acidic substances on the sink for extended periods of time.



\*\*Sizing is for Dual sink only.

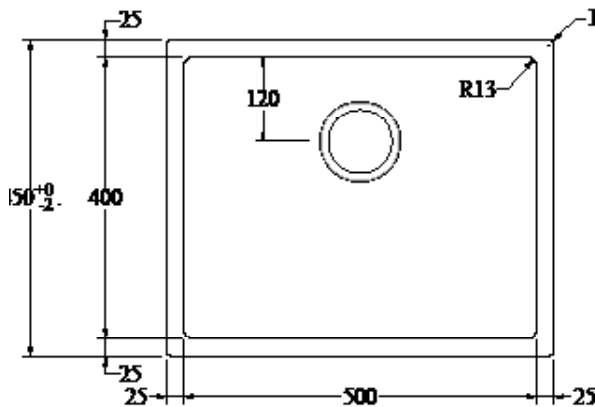
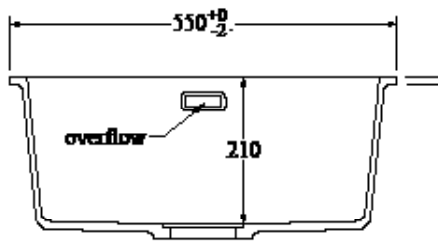
GRANITE  
**AURA** 400 SINGLE KITCHEN SINK



400w x 400h x 210d mm  
GA44CHA Charcoal  
GA44MB Matt Black  
GA44MW Matt White



GRANITE  
**AURA** 500 SINGLE KITCHEN SINK

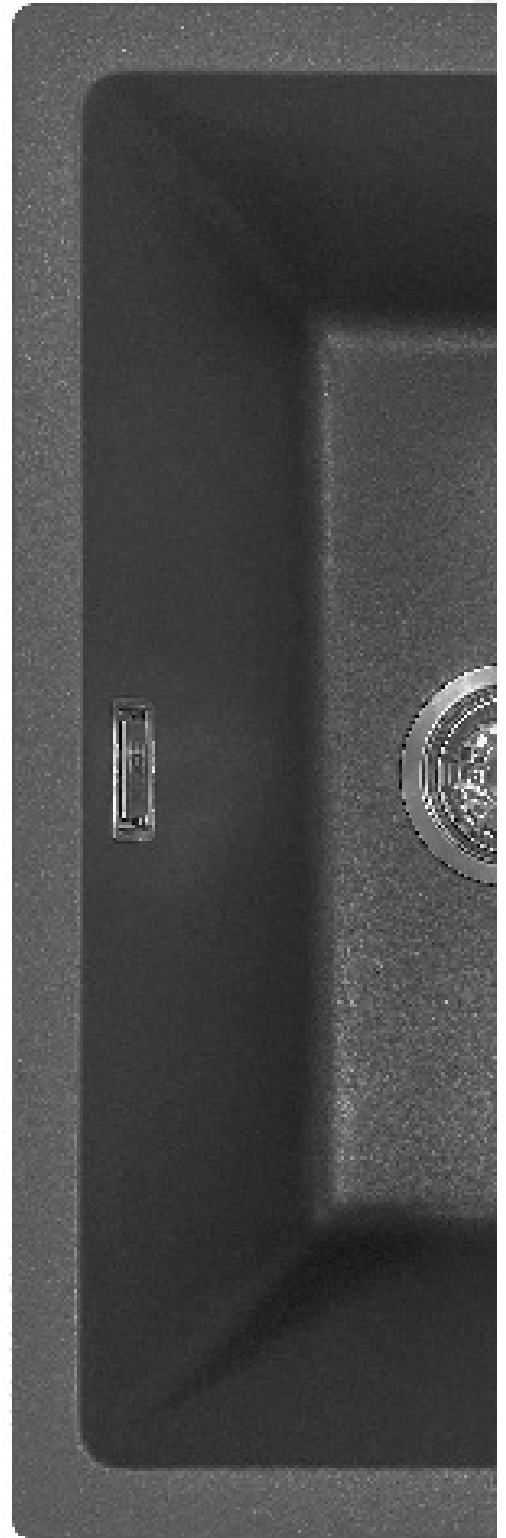


500w x 400h x 210d mm

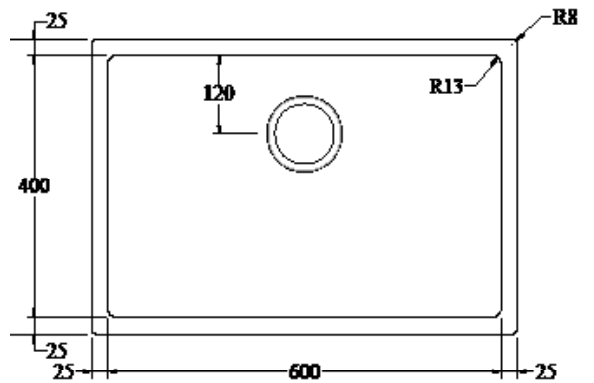
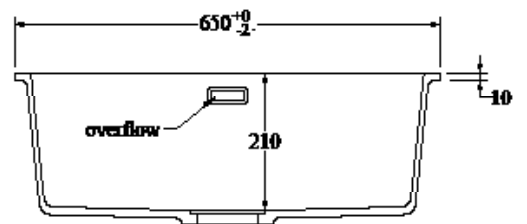
GA54CHA Charcoal

GA54MB Matt Black

GA54MW Matt White

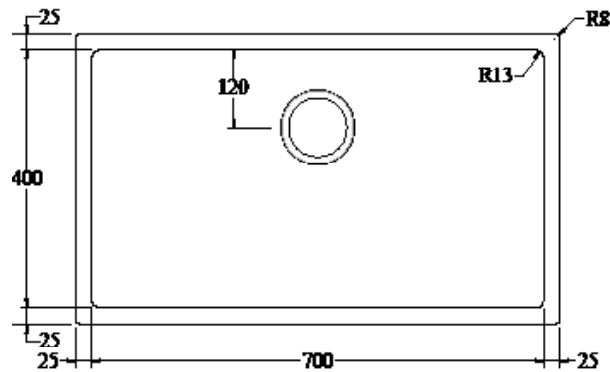
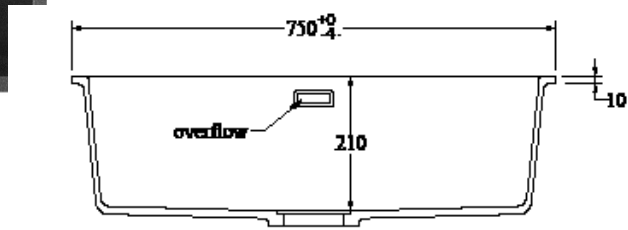


GRANITE  
**AURA** 600 SINGLE KITCHEN SINK



**600w x 400h x 210d mm**  
GA64CHA Charcoal  
GA64MB Matt Black  
GA64MW Matt White

GRANITE  
**AURA** 700 SINGLE KITCHEN SINK



700w x 400h x 210d mm

GA74CHA Charcoal

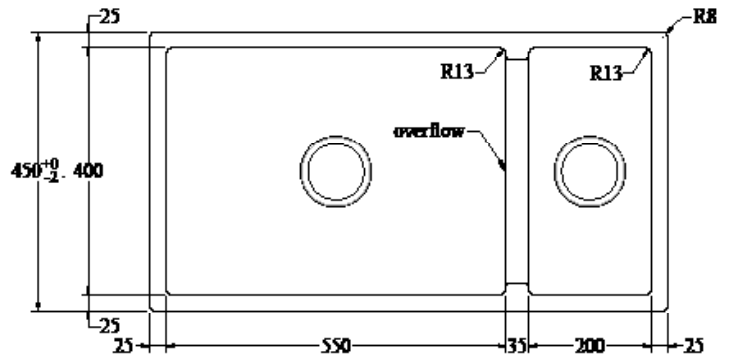
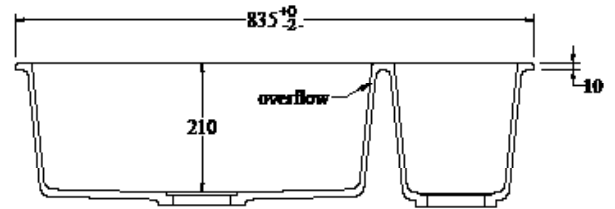
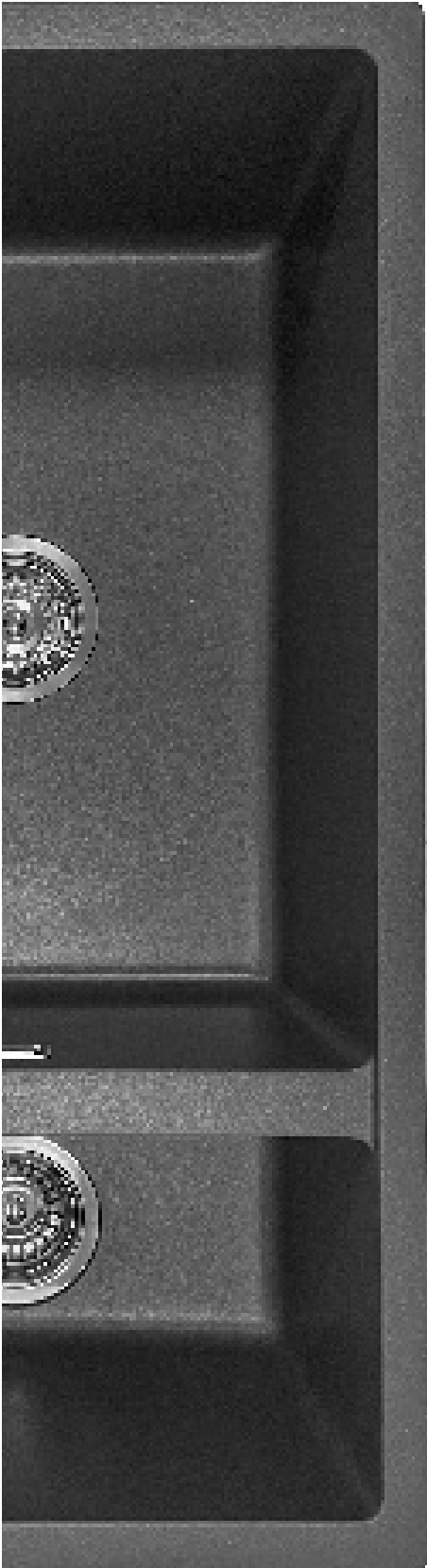
GA74MB Matt Black

GA74MW Matt White



● 304 STAINLESS STEEL  
●  
● **AURA 520/200 DUAL KITCHEN SINK**  
●

**Please note:** The dual kitchen sinks can only be installed via undermount installation and can be reversed left or right



500/200 x 400 210d mm  
 GADBCHA Charcoal  
 GADMBB Matt Black  
 GADBMW Matt White



 KITCHEN MIXER  
**DOPPIA** EXTRACTABLE

Doppia extractable kitchen mixer brings a high quality and modish touch to your kitchen. Our elegant design blends with any decor and complements any kitchen space.



**FWK396GM *gun metal***  
Doppia Extractable Kitchen Mixer,  
388mm overall height x 226mm reach  
WELS 5 Star 4.5L/min



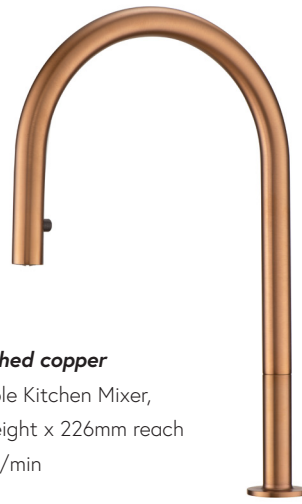
**FWK396BN *brushed nickel***  
Doppia Extractable Kitchen Mixer,  
388mm overall height x 226mm reach  
WELS 5 Star 4.5L/min



**FWK396BL *matte black***  
Doppia Extractable Kitchen Mixer,  
388mm overall height x 226mm reach  
WELS 5 Star 4.5L/min



**FWK396BG *brushed gold***  
Doppia Extractable Kitchen Mixer,  
388mm overall height x 226mm reach  
WELS 5 Star 4.5L/min



**FWK396BC *brushed copper***  
Doppia Extractable Kitchen Mixer,  
388mm overall height x 226mm reach  
WELS 5 Star 4.5L/min


**ASPEN**  
**ACCESSORIES**

Complete your kitchen with our collection of coloured sink accessories. The series has a complete range of air switches, hot mats and waste master collar and plugs to match your choice of kitchen sink.



**Aspen filter tap**

- AFT-BB Brushed Brass
- AFT-BC Brushed Copper
- AFT-BN Brushed Nickel
- AFT-CH Chrome
- AFT-GM Gun Metal
- AFT-MB Matt Black
- AFT-MW Matt White



**Aspen Soap Dispenser**

- ASD-BB Brushed Brass
- ASD-BC Brushed Copper
- ASD-BN Brushed Nickel
- ASD-CH Chrome
- ASD-GM Gun Metal
- ASD-MB Matt Black
- ASD-MW Matt White



 ASPEN  
 **ACCESSORIES**

Complete your kitchen with our collection of coloured sink accessories. The series has a complete range of air switches, hot mats and waste master collar and plugs to match your choice of kitchen sink.

**Aspen waste master**

**Air Switch - Universal 32mm**

CAS-BB Brushed Brass

CAS-BC Brushed Copper

CAS-GM Gun Metal

CAS-MB Matt Black

CAS-BS Brushed Stainless



**Aspen Stainless steel Roll-up hot mat**

**480 x 480**

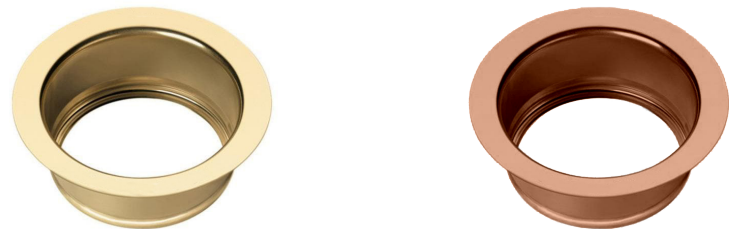
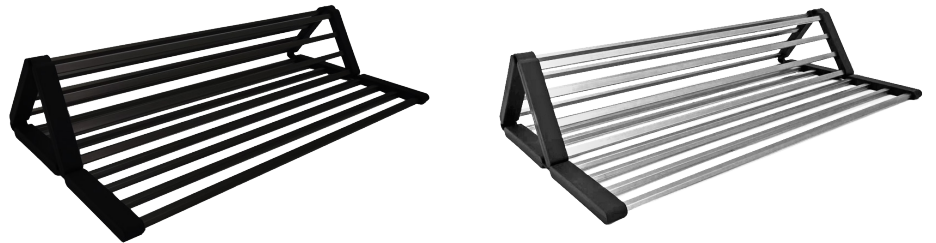
ASHM-BB Brushed Brass

ASHM-BC Brushed Copper

ASHM-GM Gun Metal

ASHM-MB Matt Black

ASHM-SS Brushed Stainless



**Aspen Universal waste master collar and plug**

ASFP-BB Brushed Brass

ASFP-BC Brushed Copper

ASFP-GM Gun Metal

ASFP-MB Matt Black

ASFP-BS Brushed Stainless



CARE & USE  
GUIDE



**Wipe Down Spills Immediately**

We advise to clean up any spills immediately that fall directly on to the sinks surface, including harsh substances like, beetroot juice, red wine, baked beans or any other food scraps.



**Clean Your Sink Regularly**

Simply wipe down with a soft cloth and warm soapy water to remove any surface contaminants. To further reduce water spots, dry with a soft towel or a dry cloth. When the water evaporates, the minerals/salts are left behind, these can create water deposits (like on your car if you don't wipe it down with a dry cloth).



**For Those Tough Marks**

For more stubborn marks, use a 50/50 mix of white vinegar and water or a non acidic spray and wipe. Apply with a soft clean cloth then rinse and dry immediately.



**RESIDENTIAL & COMMERCIAL  
WARRANTY**



### Warranty

Residential	Warranty Period	Type
Aura Granite Sinks	10 Year Warranty	2 Years Parts & Labour + 8 Years Replacement Product
Filter Taps	2 Year Warranty	Replacement Product Only
Waste, grid and overflow	1 Year Warranty	Replacement Product Only
Aspen sink accessories	1 Year Warranty	Replacement Product Only
Commercial	Warranty Period	Type
Aura Granite Sinks	2 Year Warranty	1 Year Parts & Labour + 1 Years Replacement Product
Filter Taps	2 Year Warranty	Replacement Product Only
Waste,grid and overflow	1 Year Warranty	Replacement Product Only
Aspen sink accessories	1 Year Warranty	Replacement Product Only







# WATERWARE

**water**ware.co.nz  
info@waterware.co.nz  
+64 9 273 9191

