

In-Bench Soap Dispenser

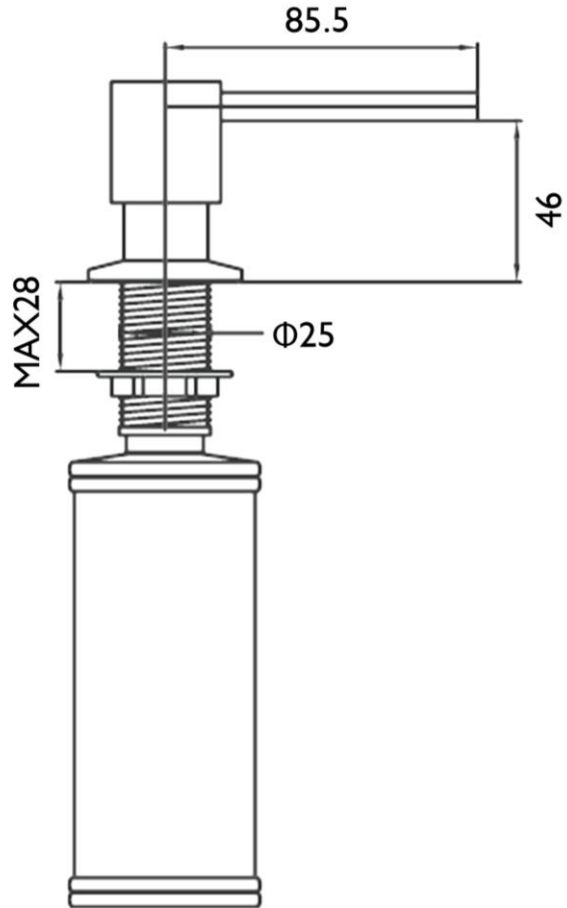


ASD-BB

Aspen In-Bench Soap Dispenser Brushed Brass

Aspen in-bench soap dispenser finished in brushed brass
 Soap reservoir mounted below bench surface for a compact and clean look

46mm height, 85.5mm reach



CARE AND USE

Aspen Sinks & Accessories

All finishes are smooth, abrasion resistant, corrosion resistant, fade-proof and easy to clean. All finishes are super hard wearing surfaces that won't chip, peel or tarnish with normal use. All surfaces should be regularly wiped clean with non scouring, neutral wash solutions.

LIMITED PRODUCT WARRANTIES

To be read in conjunction with and subject to all terms and conditions contained in the Waterware 'Producer Statement' available on-line (<http://www.waterware.co.nz/media-downloads>) From date of purchase, Waterware Services warrants products from the following categories to be free from manufacturing defect subject to exclusions (if applicable):

Category	Domestic Installations	Commercial Installations	Exclusions	Wels
Aspen Accessories	1 year parts only	1 year parts only	None	Not required