

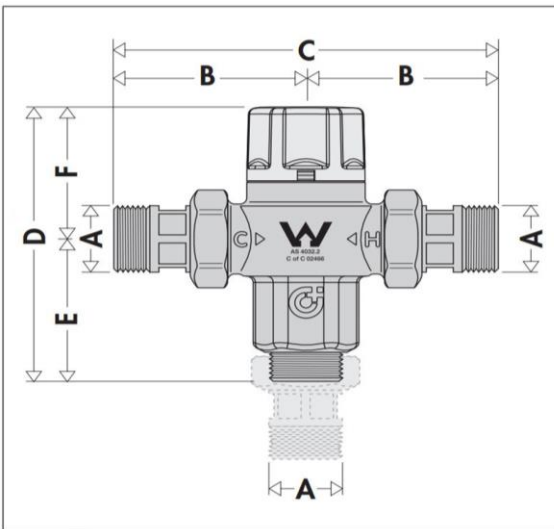
# TVU521312AU

Caleffi 5213 15mm Tempering Valve with Hot and Cold Check Valves



## Technical Specification

- Temp Adjustment Range 30 - 50°C
- Temp Control +/- 3°C
- Max Op. Temp. 85 °C
- Operating Press. Range 20 - 500 kpa
- Max. Inlet Press. Differential 6:1
- Max Test Press. 1000 kPa
- Min. flow rate 4L/min
- Material DZR Brass
- Min. Operating Failsafe Temp. Differential 10°C
- AS 4032.2 Approval



<b>Code</b>	<b>521312</b> AUS
<b>A</b>	Ø 15
<b>B</b>	62,5
<b>C</b>	125
<b>D</b>	91
<b>E</b>	48,5
<b>F</b>	42,5

## Application

The Caleffi 5213 15mm Tempering Valve with Hot and Cold Check Valves is used in plumbing systems to control water temperature and is installed mostly to feed a bathroom.

## Warranty

[Download the latest warranty statement](#)

## Features

- Australian Standards approved valve with 15mm unions
- Union connectors with o-ring seal with hot and cold check valves and strainers
- Temperature range adjustable 30 - 50°C
- Max. operating temperature 85°C
- Body in dezincification resistant brass