

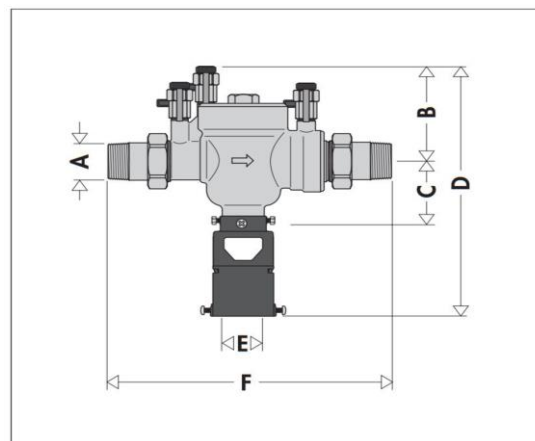
BF574700

Caleffi 574 Series High Hazard Reduced Pressure Zone Valve 32mm



Technical Specification

- Body and cover: dezincification resistant
- EN 12165 CW602N (1/2" ÷ 1 1/4")
- Check valve spindle: stainless steel stainless steel
- Discharge seat: dezincification resistant alloy stainless steel
- Springs: stainless steel stainless steel
- Diaphragm: EPDM
- Seals: NBR
- Shut-off valve body: brass EN 12165 CW617N
- Strainer cartridge: stainless steel stainless steel
- Performance
- Medium: water
- Max. working pressure: 10 bar
- Max. working temperature: 65°C
- Filter mesh: 0,8mm
- Pressure test port connections 1/4" F



Code	A	B	C	D	E	F	Mass (kg)
574700	1 1/4"	100	74,5	292	Ø 40-60	280	4,7

Application

The Caleffi 574 Series High Hazard Reduced Pressure Zone Valve 32mm is used in plumbing systems to protect against cross contamination and is installed mostly in plant rooms.

Warranty

[Download the latest warranty statement](#)

Features

The backflow preventer is a plumbing protection device designed to prevent polluted water from flowing back into the mains supply. This type of backflow may occur when the pressure in the mains supply changes and causes a reversal of the flow. The backflow preventer is installed between the mains supply and the internal consumer circuit in water supply systems and creates a safety zone which prevents the water in the two circuits from coming into contact.