

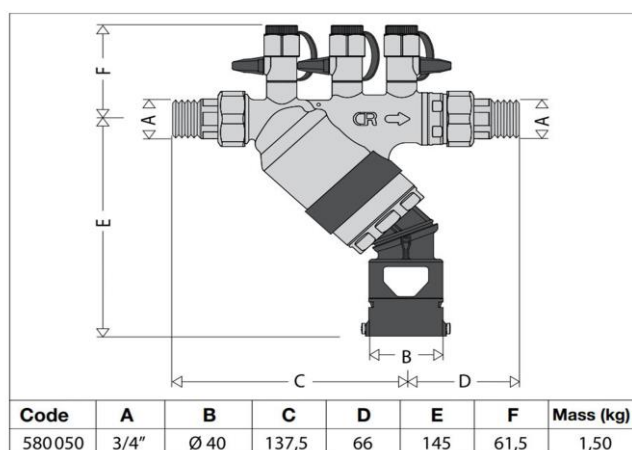
## BF580050

Caleffi 580 Series High Hazard Reduced Pressure Zone Valve 20mm



### Technical Specification

- Body: dezincification resistant alloy EN 1982 CB752S
- Cartridge components: PPSG40, POM 13, dezincification resistant alloy EN 12164 CW724R
- Downstream check valve: POM, NBR
- Check valve stems and springs: stainless steel EN 10270-3 (AISI 302)
- Membrane: EPDM
- Strainer mesh size: 0,47 mm
- Seals: EPDM
- Discharge tundish: PP
- Isolating valve control stem: brass EN 12164 CW617N
- Medium: potable water
- Nominal pressure: PN 10
- Maximum working temperature: 65°C
- Ambient temperature range: 5–50°C
- Downstream check valve opening pressure: 0,5 kPa
- Pressure test ports with cock: upstream, intermediate, downstream



### Application

The Caleffi 580 Series High Hazard Reduced Pressure Zone Valve 20mm is used in plumbing systems to protect against cross contamination and is installed mostly in plant rooms.

### Warranty

[Download the latest warranty statement](#)

### Features

The backflow preventer is a hydraulic protection device designed to prevent polluted water from flowing back into the mains supply network. The backflow preventer is installed between the mains supply network and the internal consumer circuit in water supply systems and creates a safety zone that prevents the water in the two circuits from coming into contact. It protects the water mains from downstream overpressure, back syphonage and backflow. To EN 12729 standard in accordance with EN 1717.

The version for special applications is used for the connection of taps on stands, at trade fairs, events, construction sites and is provided with a hose connection. The backflow preventer can be used in many applications, thanks to the variety of connections on the base of a single product.