

DSV253046

Caleffi 253 Series Solar Safety Valve 15mm x 20mm  
600kPa



### Technical Specification

Materials:

- Body: brass EN 12165 CW 617N, chrome plated
- Control Spindle: brass EN 12164 CW614N
- Obturator Seal: high resistance elastomer
- Spring: stainless UNI 3823
- Control Knob: PA6G30

- Medium: water, glycol solutions
- Max % of Glycol: 50%
- Nominal Pressure: PN 10
- Temperature Range: -30–160°C
- Opening Overpressure : 10%
- Closing Differential: 20%
- Discharge Capacity: 50kW



### Application

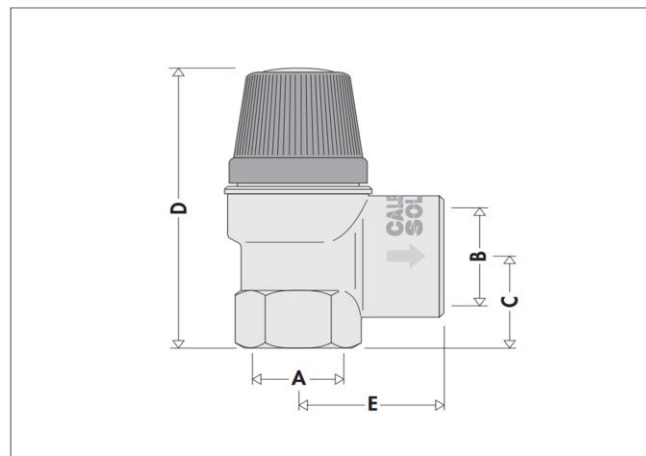
The Caleffi 253 Series Solar Safety Valve 15mm x 20mm 600kPa is used in plumbing systems to provide a safety function and is installed mostly in plant rooms.

### Warranty

[Download the latest warranty statement](#)

### Features

- Safety relief valve for solar thermal systems
- 15mm inlet x 20mm outlet, 600kPa
- Female connections



Code	A	B	C	D	E	Weight (kg)
25304.	1/2"	3/4"	24	70	33,5	0,22