

DSV314480

Caleffi 314 Series Safety Valve 15mm x 15mm  
800kPa



### Technical Specification

- Body: brass EN 12165 CW617N
- Cover: brass EN 12165 CW617N
- Control Stem: brass EN 12164 CW614N
- Obturator Seal: EPDM
- Diaphragm: EPDM
- Spring: steel EN 12270-1
- Control Knob: ABS
- Nominal Pressure: PN10
- Working Temperature Range: 5-110°C



### Application

The Caleffi 314 Series Safety Valve 15mm x 15mm 800kPa is used in plumbing systems to provide a safety function and is installed mostly in plant rooms.

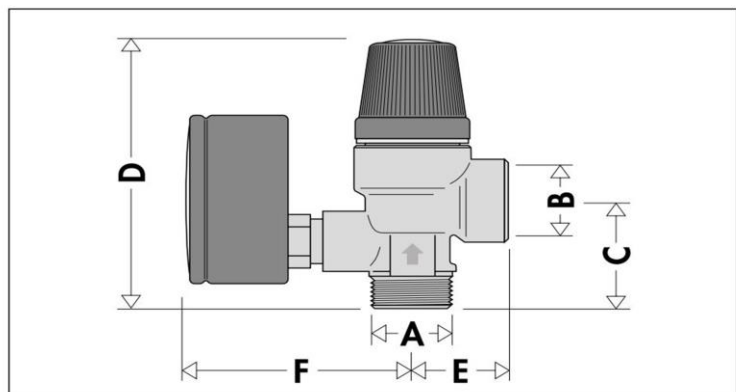
### Warranty

[Download the latest warranty statement](#)

### Features

The standard safety relief valves 314 series are used in heating systems, in domestic water systems to protect the hot water storage and in hydraulic systems.

- 15mm male x 15mm outlet, + gauge, 800kPa
- Male/Female connections



Code	A	B	C	D	E	F	Mass (kg)
3144..	1/2"	1/2"	32	78	25,5	61	0,24