

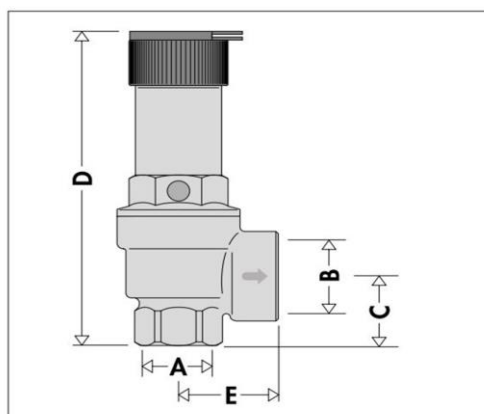
DSV527510

Caleffi 527 Series Safety Valve 20mm x 25mm
100kPa



Technical Specification

Body: brass EN 12165 CW617N
Cover: brass EN 12165 CW617N
Control Stem: brass EN 12164 CW614N
Obturator Seal: EPDM
Diaphragm: EPDM
Spring: steel EN 12270-1
Control Knob: PA6G20
Nominal Pressure: PN10
Working Temperature Range: 5-110°C



Code	A	B	C	D	E
5274.. EST	1/2"	3/4"	26	93	33
5275.. EST	3/4"	1"	30	136	39,5
5276.. EST	1"	1 1/4"	39	166	48
5277.. EST	1 1/4"	1 1/2"	42,5	185	56



Application

The Caleffi 527 Series Safety Valve 20mm x 25mm 100kPa is used in plumbing systems to provide a safety function and is installed mostly in plant rooms.

Warranty

[Download the latest warranty statement](#)

Features

The standard safety relief valves 527 series are used in heating systems, in domestic water systems to protect the hot water storage and in hydraulic systems.

527 EST series valves are fail-safe devices, i.e. they are guaranteed to operate even in the case of wear or breakage of the diaphragm.

20mm x 25mm outlet, 100kPa

Female connections