

INSTALLATION INSTRUCTIONS

INSTALLER PLEASE NOTE

This product must be installed by a qualified plumber. Read all installation instructions carefully before commencing installation.

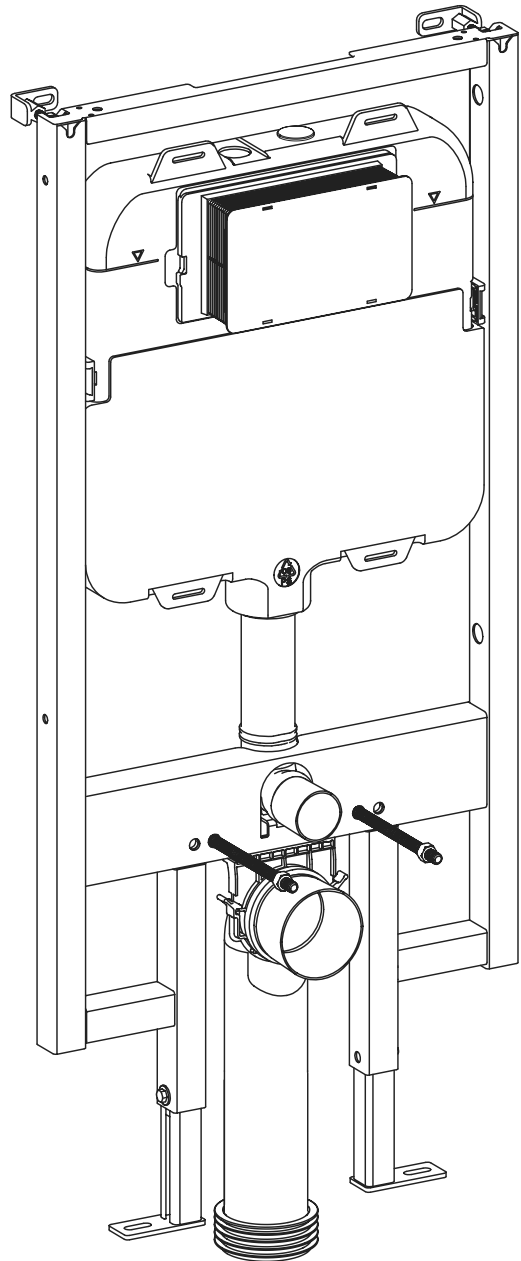
Careful attention must be given to the dimensions of pan and plumbing connections, finished floor heights, finished wall thickness and available space in wall.

Special attention must also be given to the following:

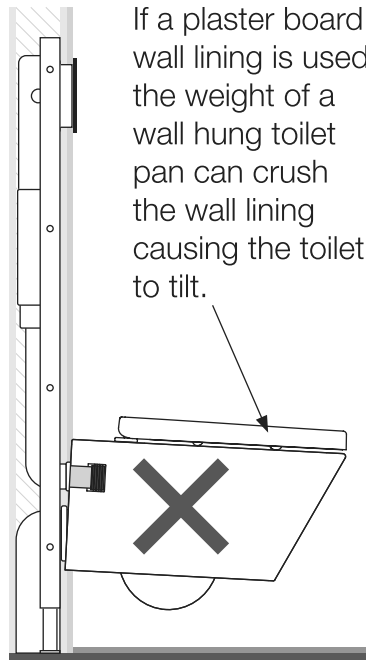
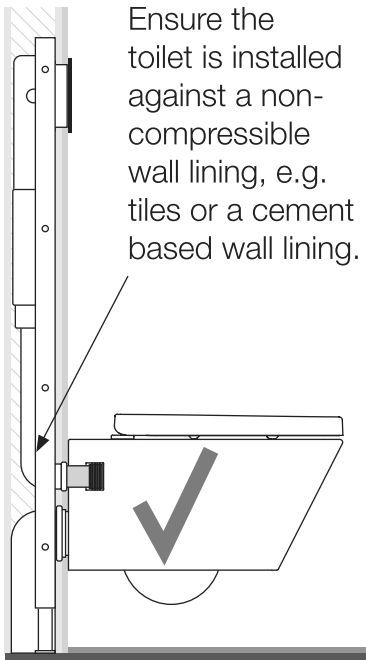
1. Minimum overall wall lining thickness is 20mm (e.g. wall lining + tile).
2. Because the weight of a wall hung toilet pan can crush the wall lining if a plaster board is used, wall hung pans must only be installed against a cement based non-compressible wall lining.
3. Front face of frame for wall hung pans must be installed flush with front face of timber framing.
4. Pipeline must be flushed to clear debris before connecting to cistern.
5. Cistern operation must be tested before wall covering is finished.
6. After testing ensuring stopcock is fully closed and cistern is emptied.

Water pressure must be limited to 500kpa in accordance with AS/NZS3500.

Maximum operating pressure 1000kpa

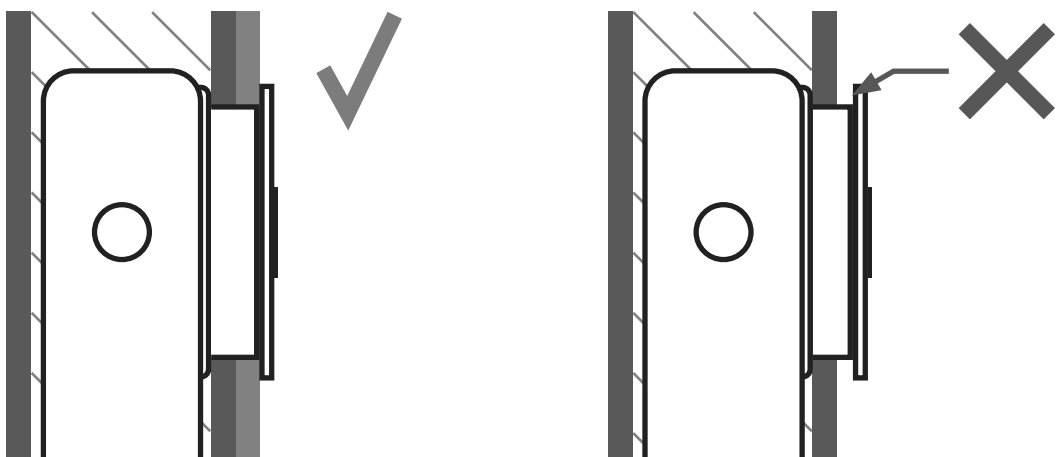


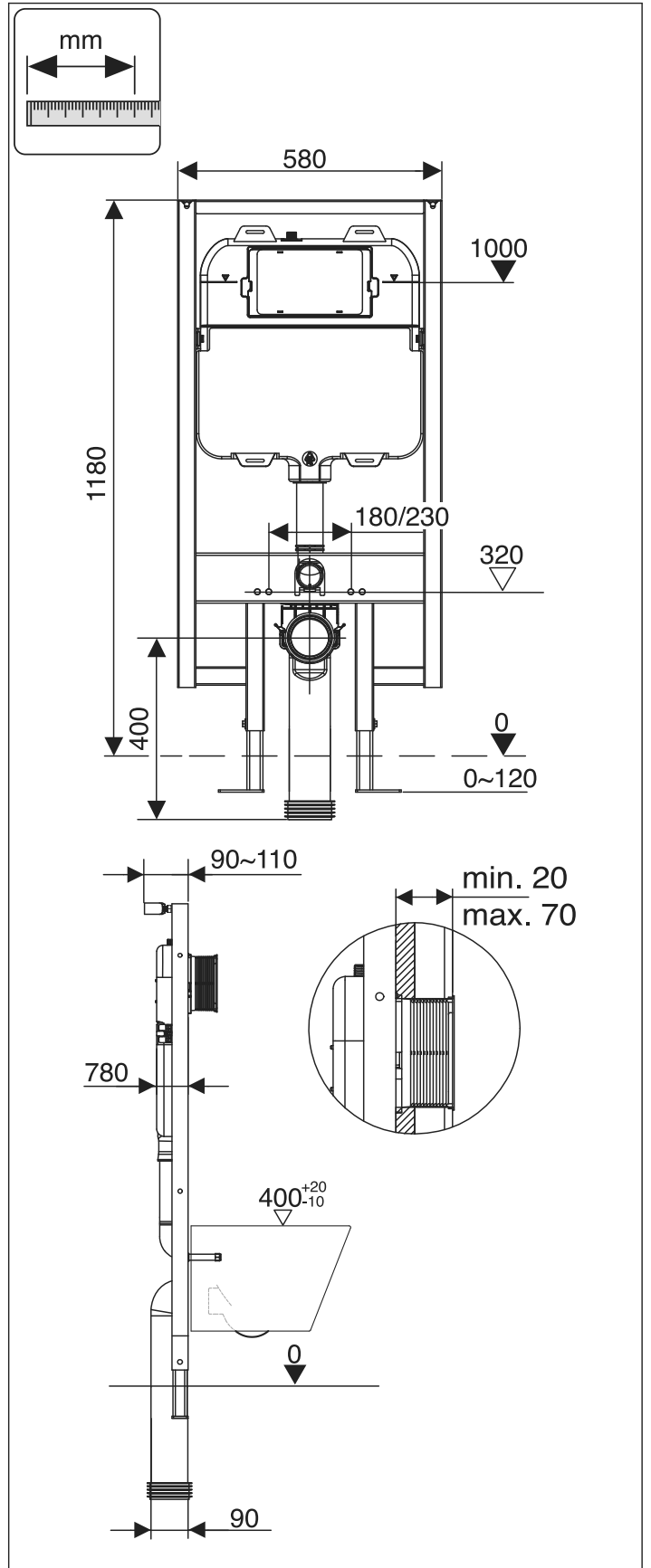
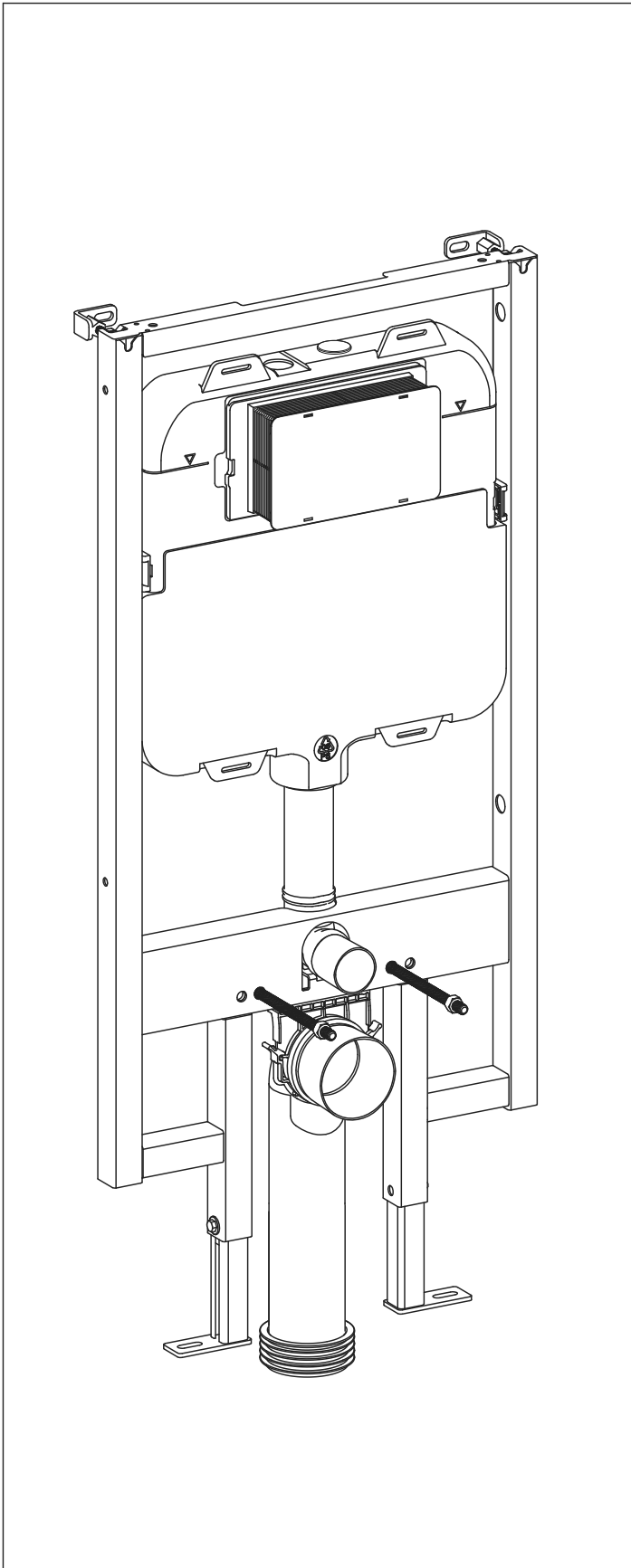
⚠ Wall Hung Toilet Installation



⚠ Minimum Wall Lining Thickness

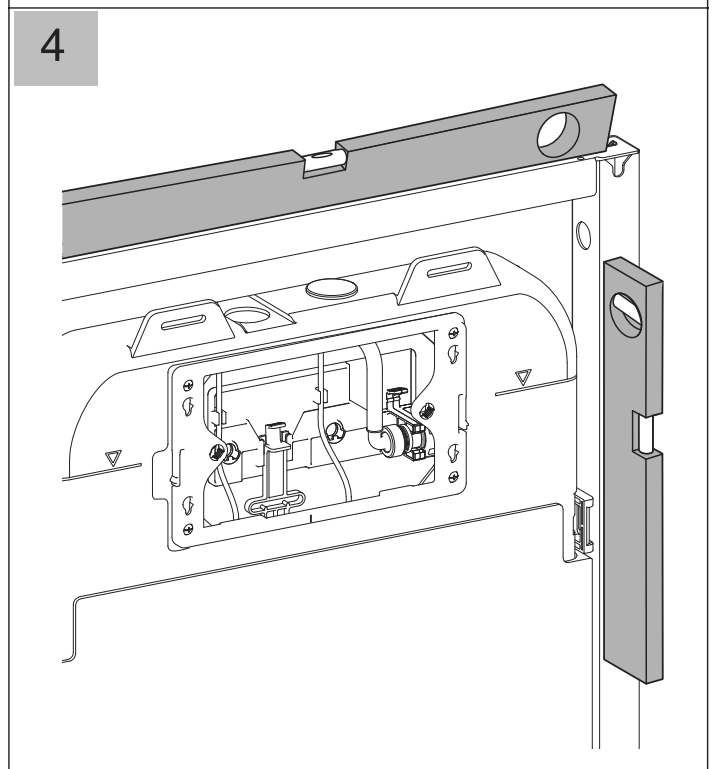
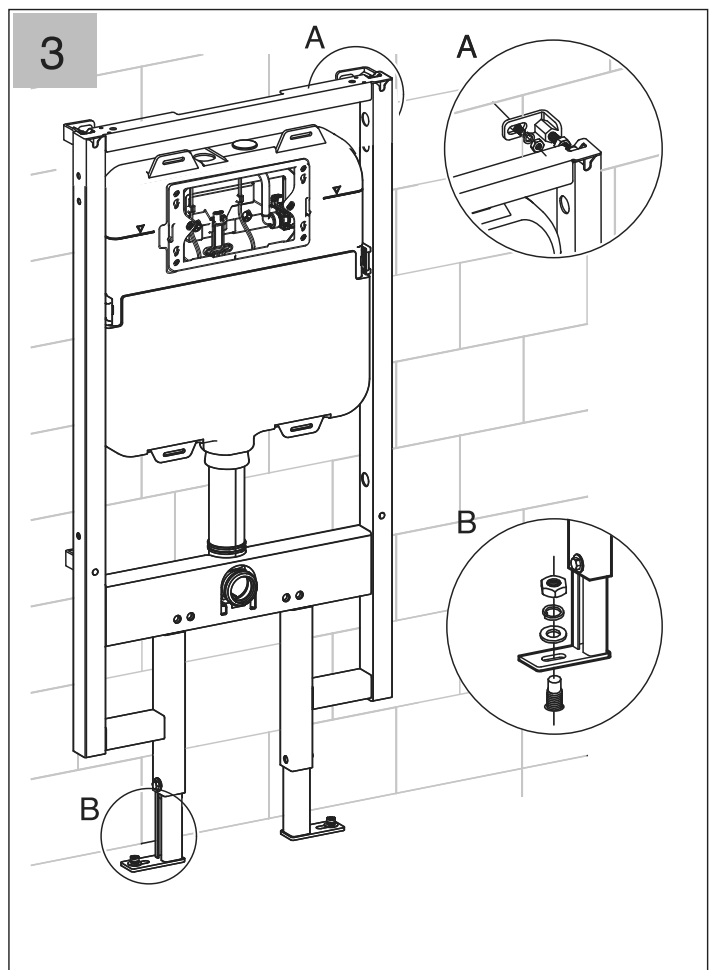
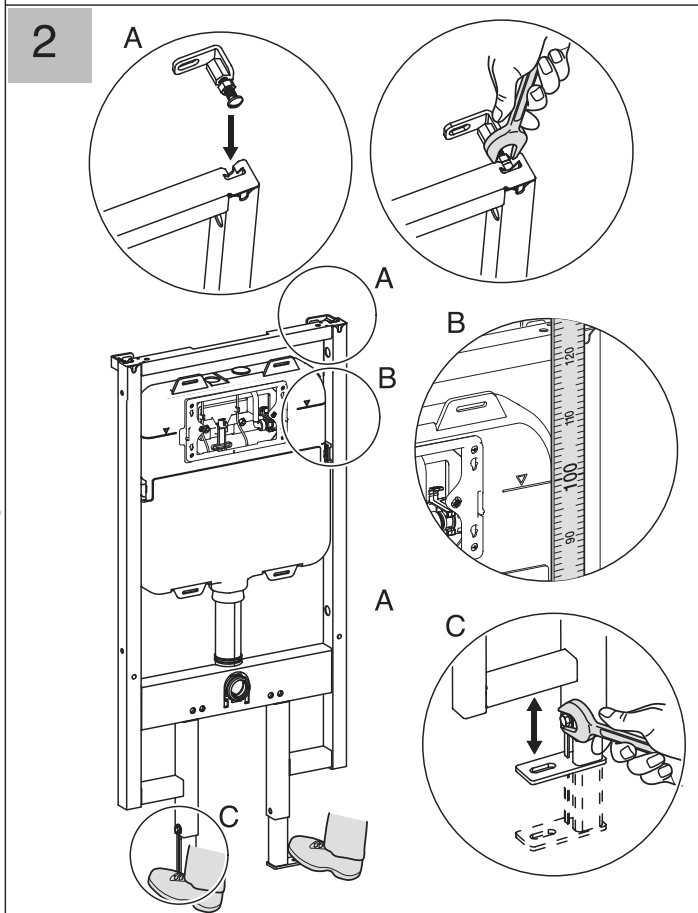
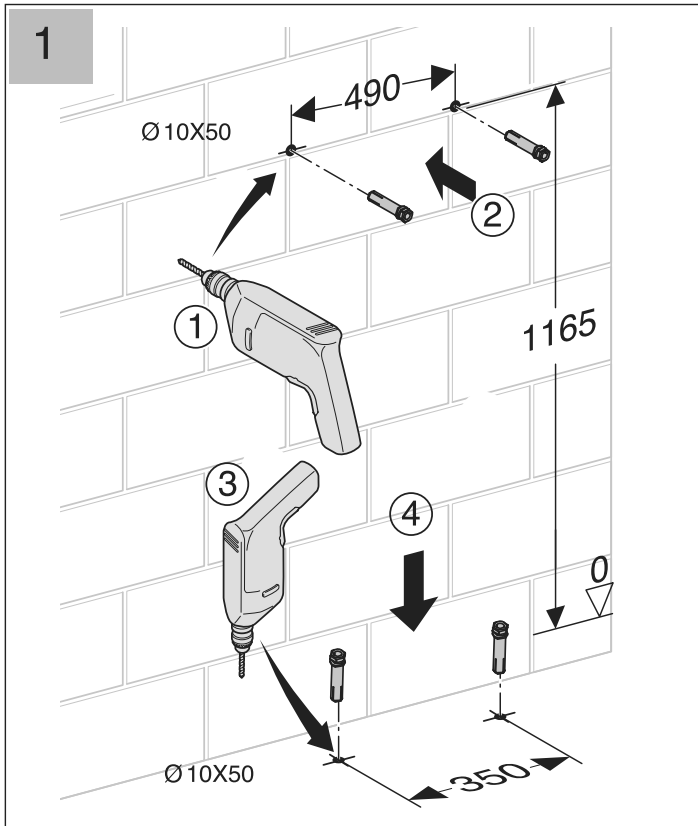
The minimum overall wall lining thickness required for flush panels is 20mm. If it is less than 20mm the flush panel will protrude from the wall.





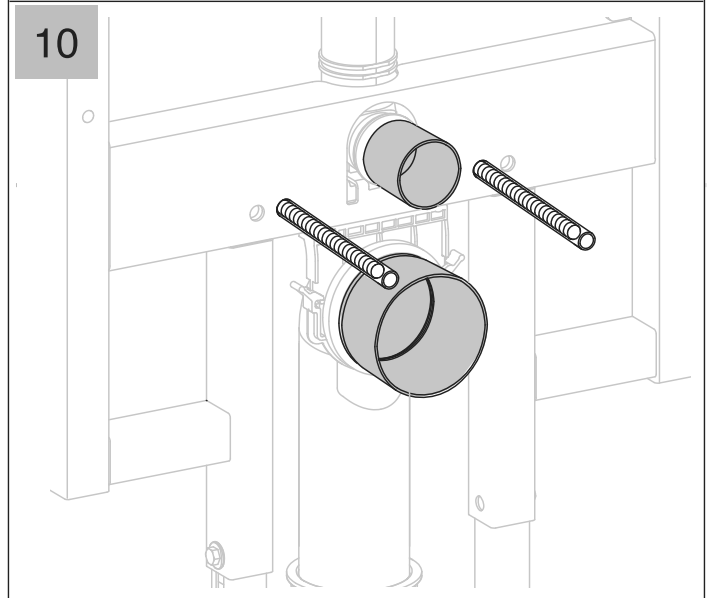
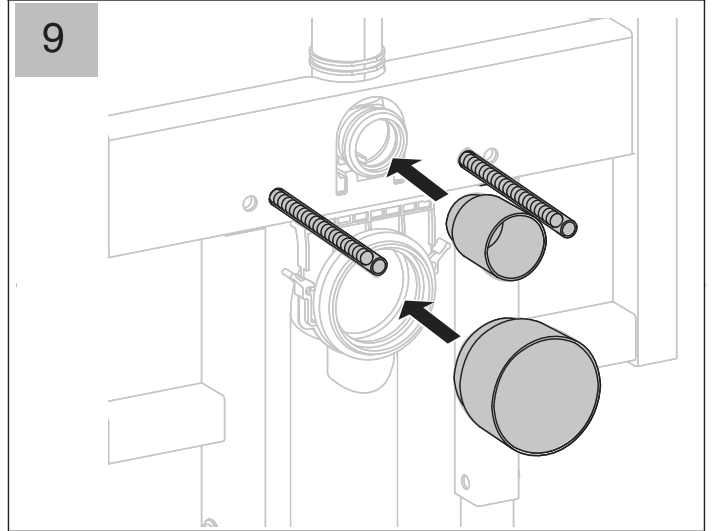
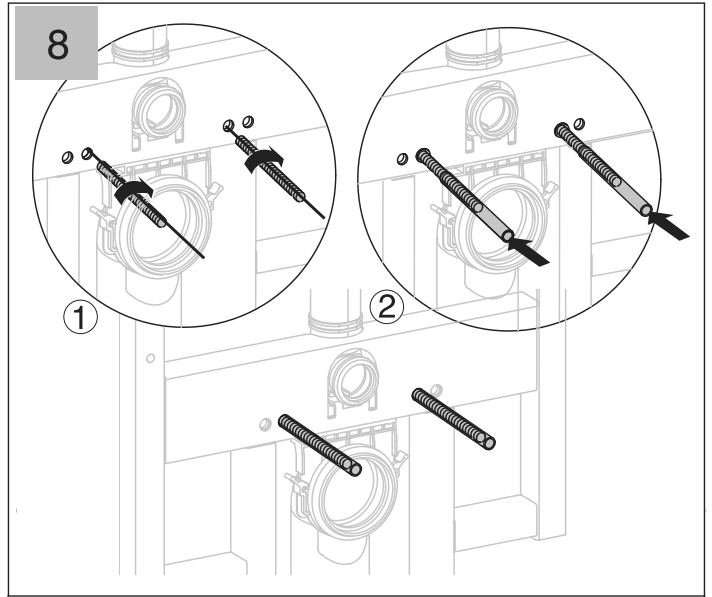
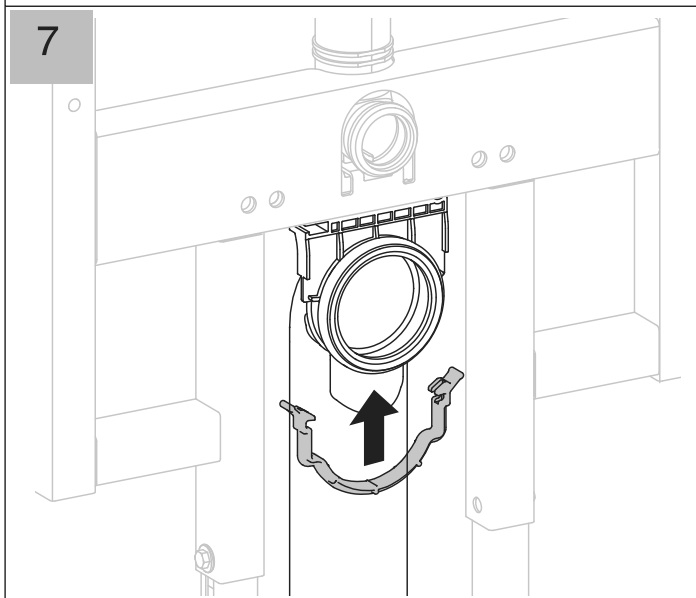
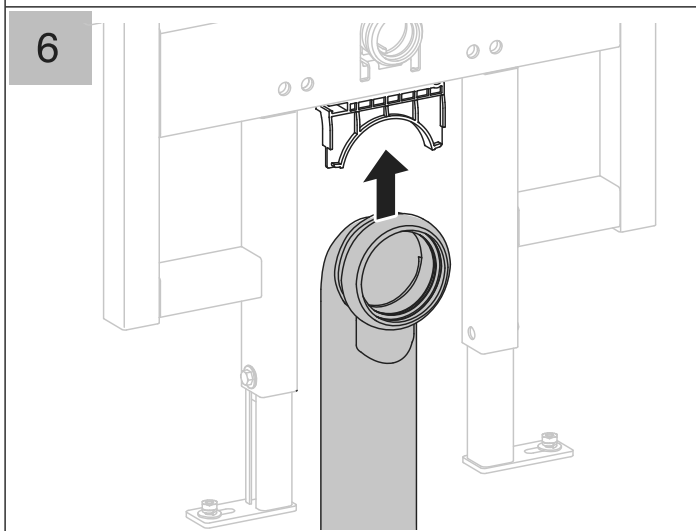
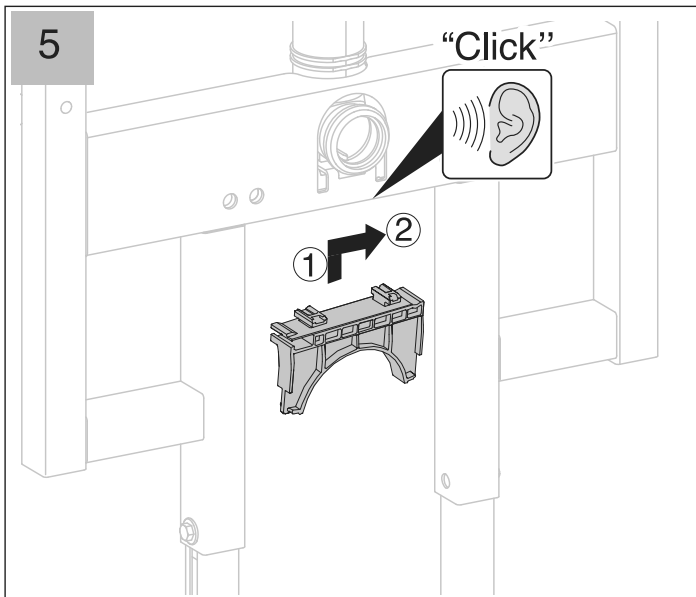


FRONT OF WALL CISTERN INSTALLATION
(e.g. when installing in front of a brick wall)





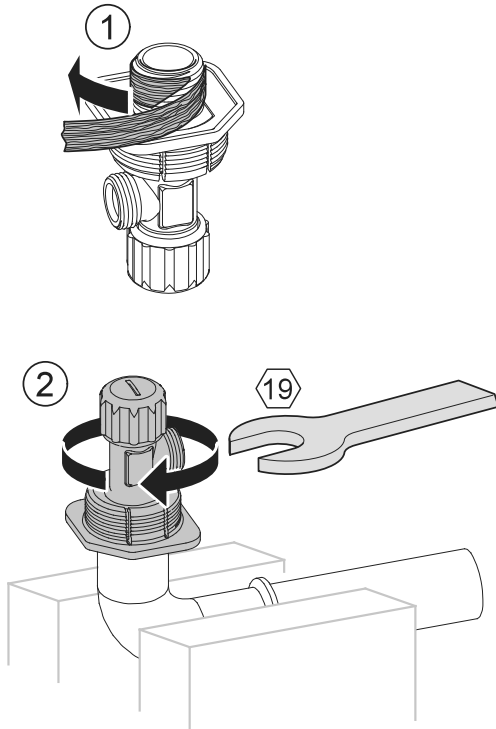
FRONT OF WALL CISTERN INSTALLATION
(e.g. when installing in front of a brick wall)



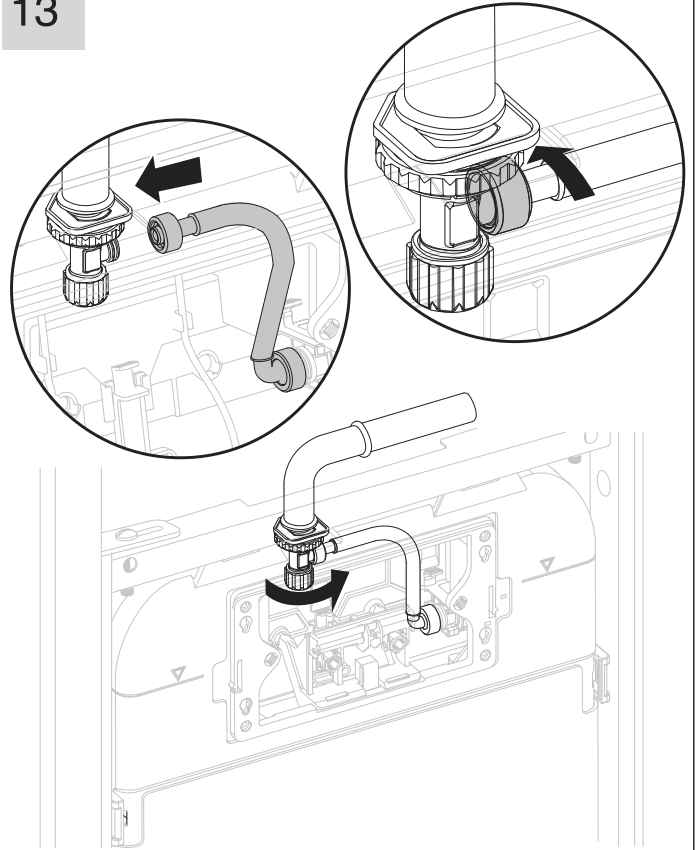


FRONT OF WALL CISTERN INSTALLATION
(e.g. when installing in front of a brick wall)

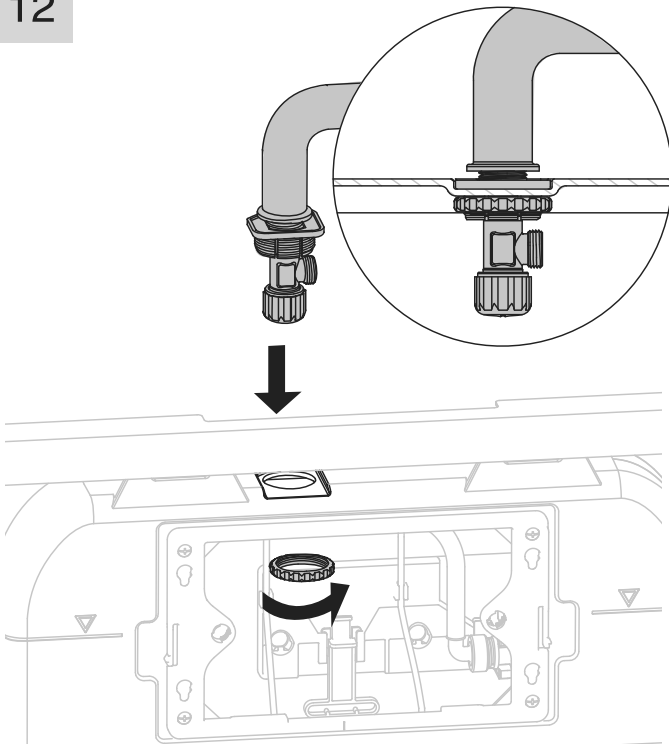
11



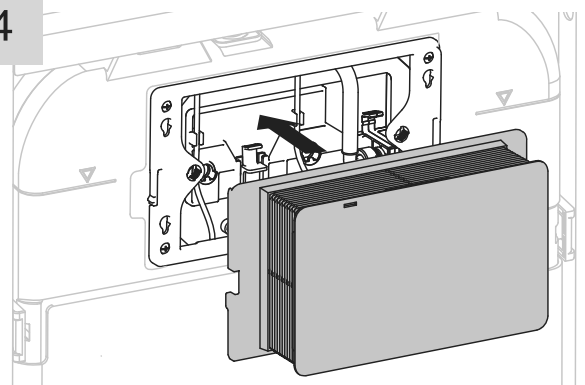
13



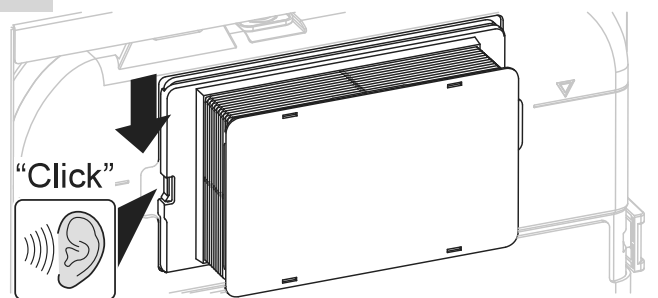
12



14



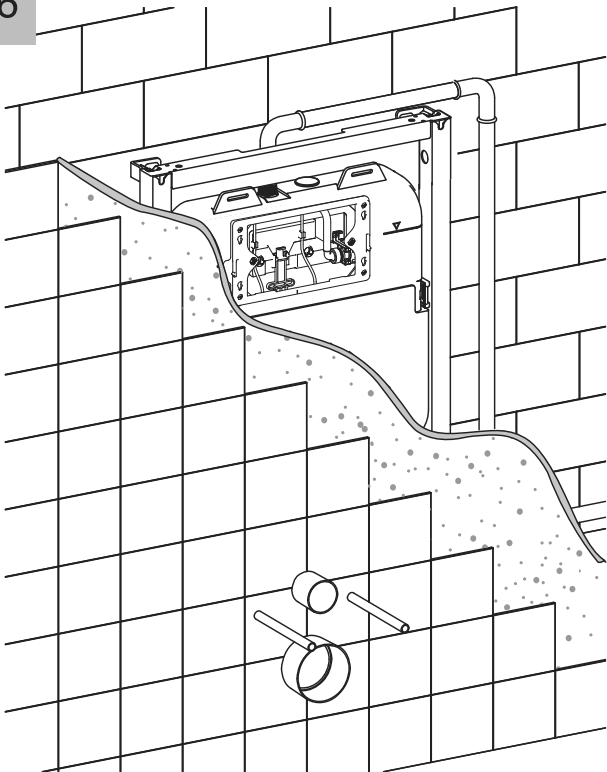
15



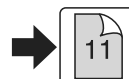
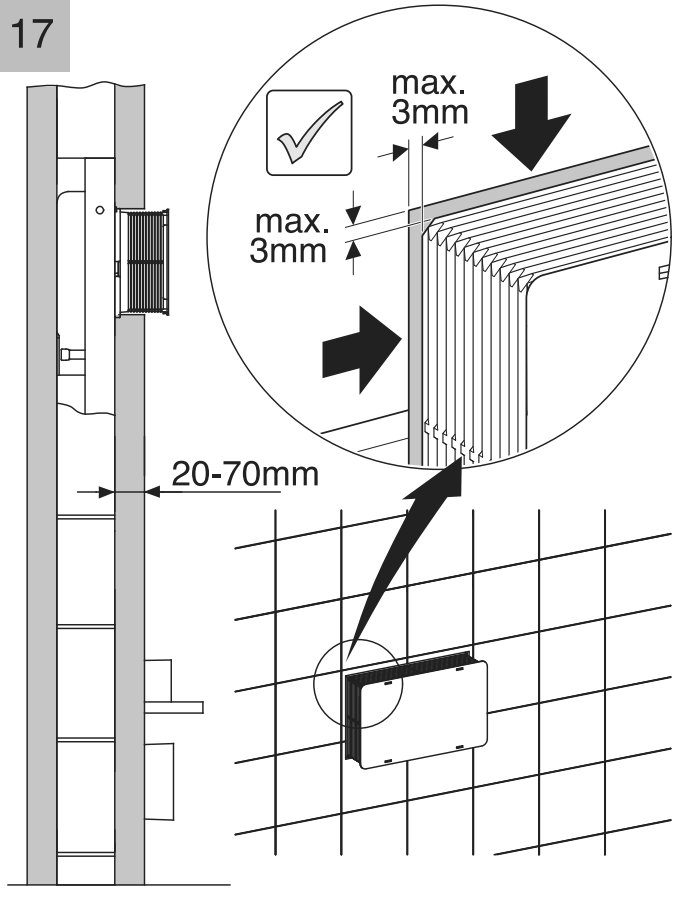


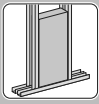
FRONT OF WALL CISTERN INSTALLATION
(e.g. when installing in front of a brick wall)

16

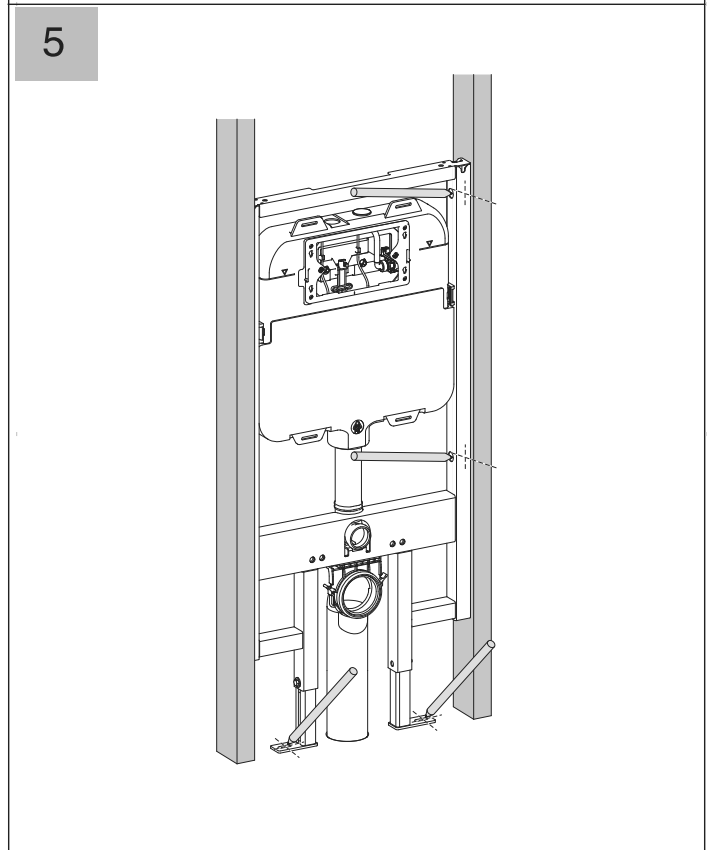
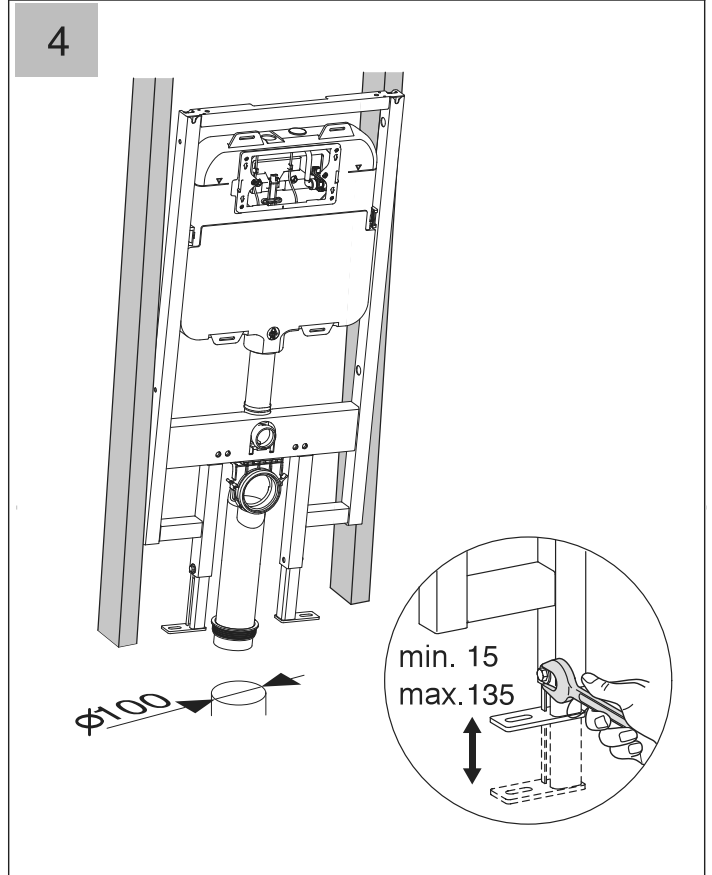
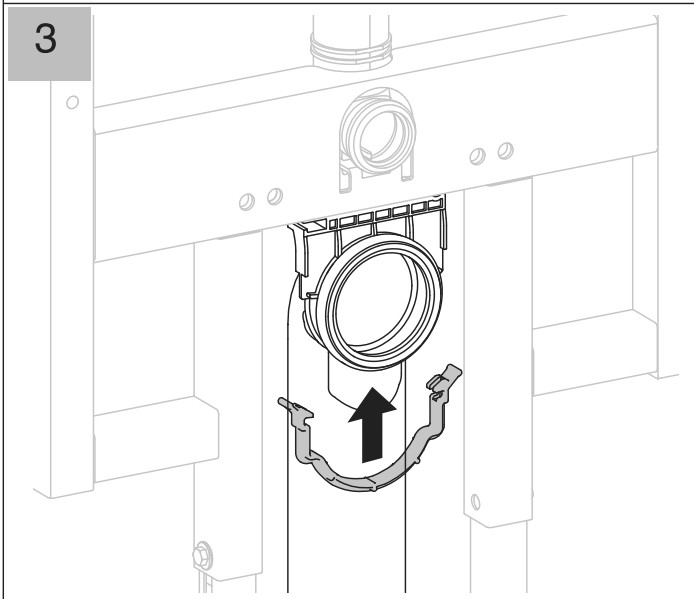
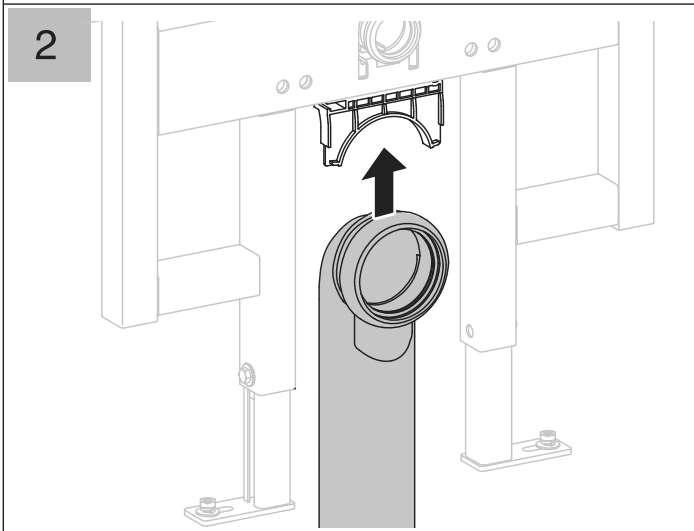
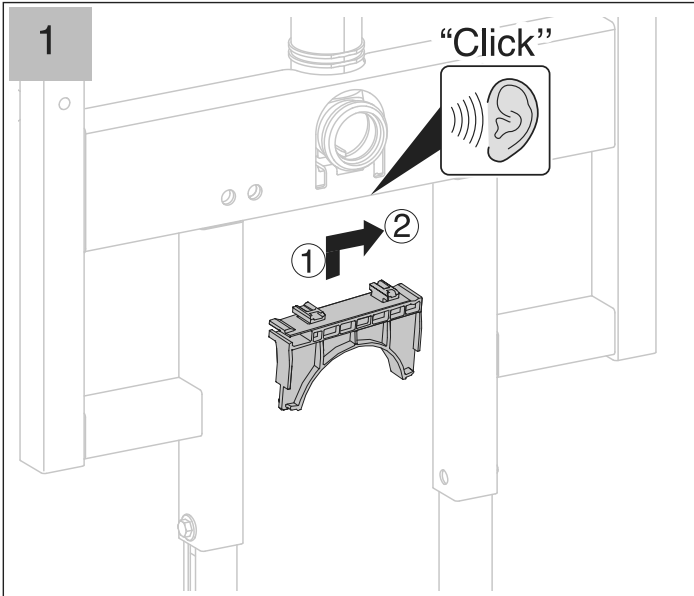


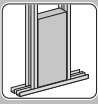
17



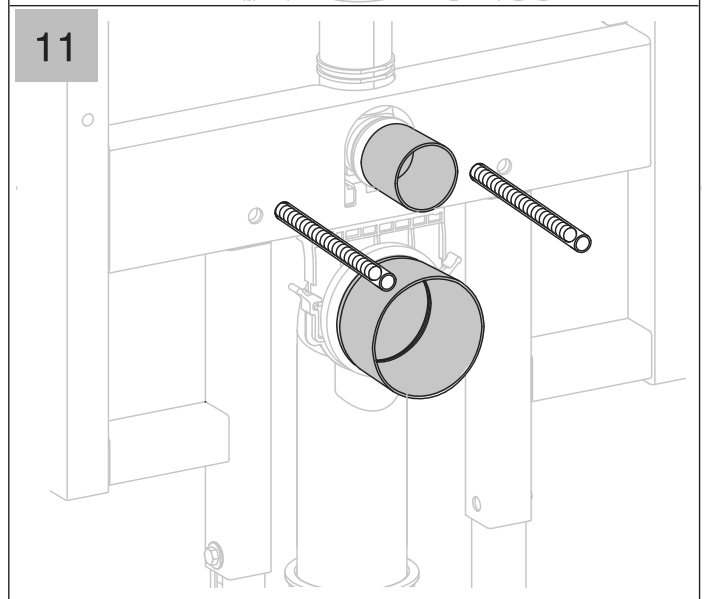
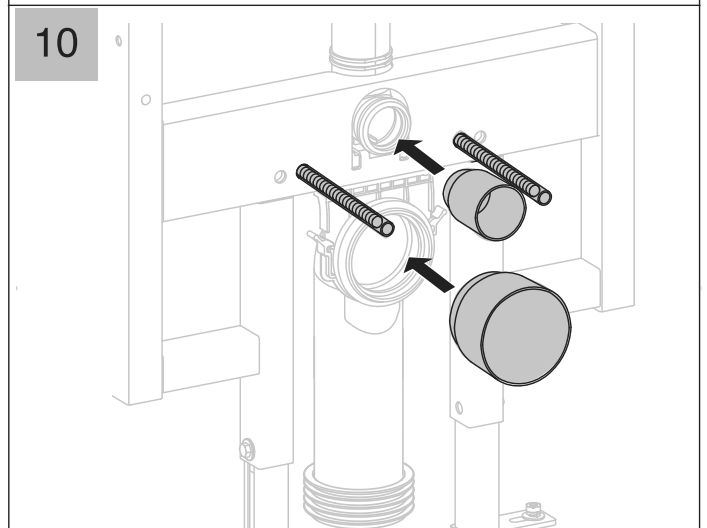
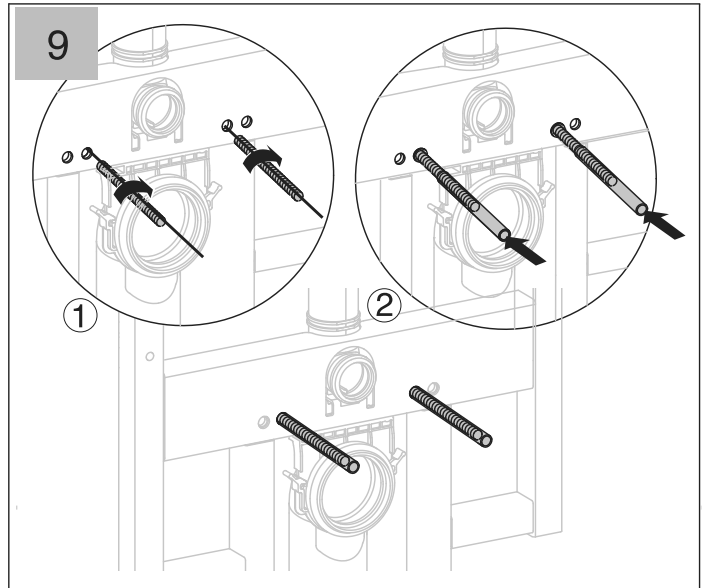
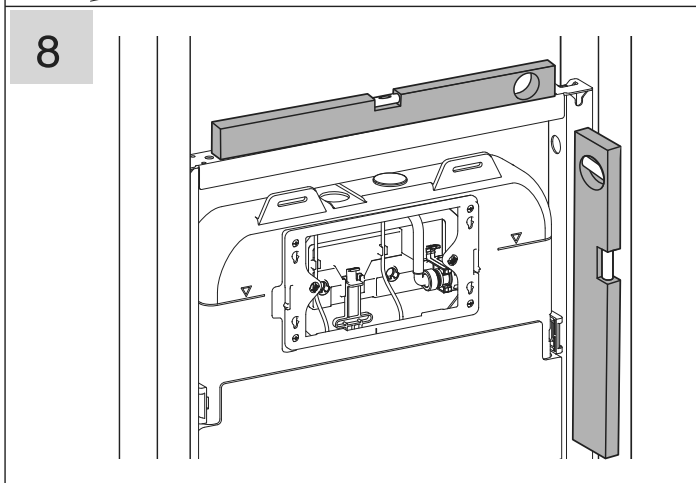
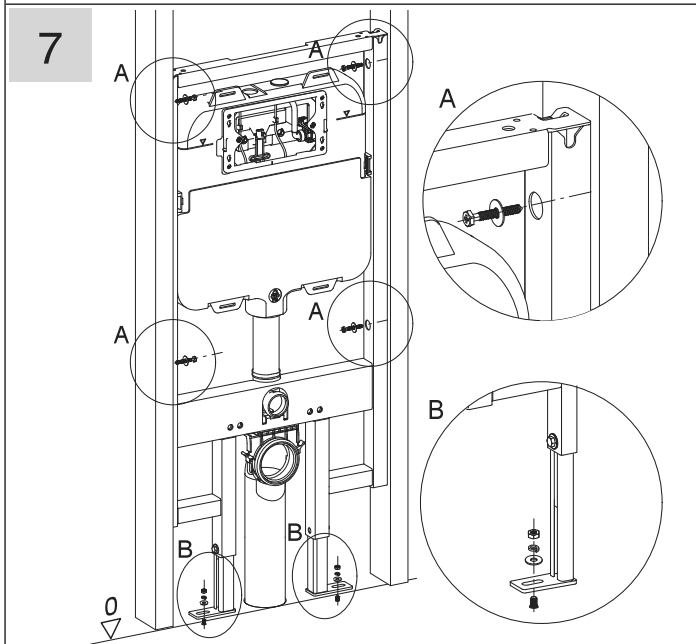
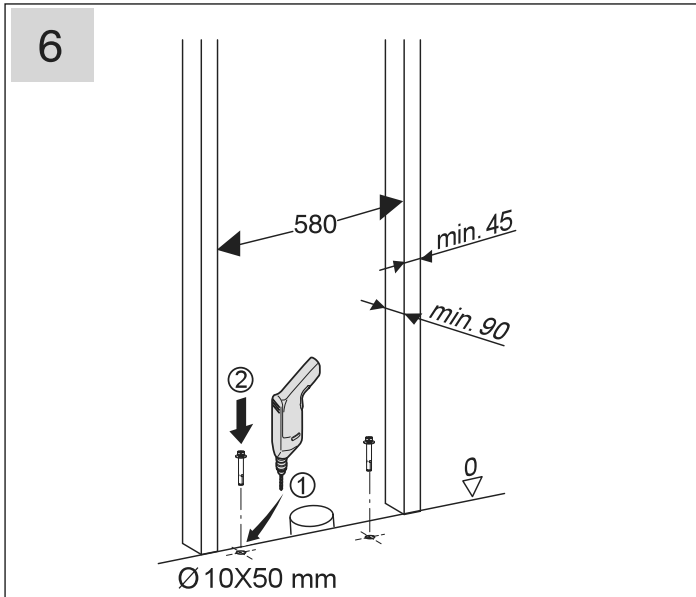


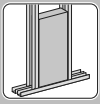
INWALL CISTERN INSTALLATION
(e.g. when installing inside a timber wall)





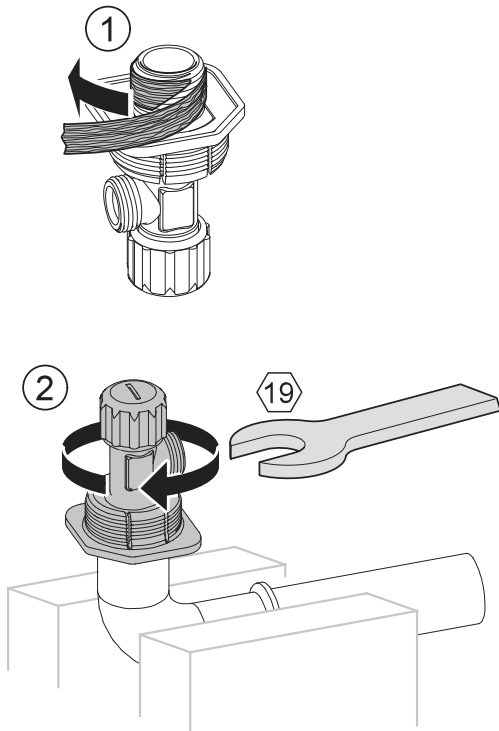
INWALL CISTERN INSTALLATION
(e.g. when installing inside a timber wall)



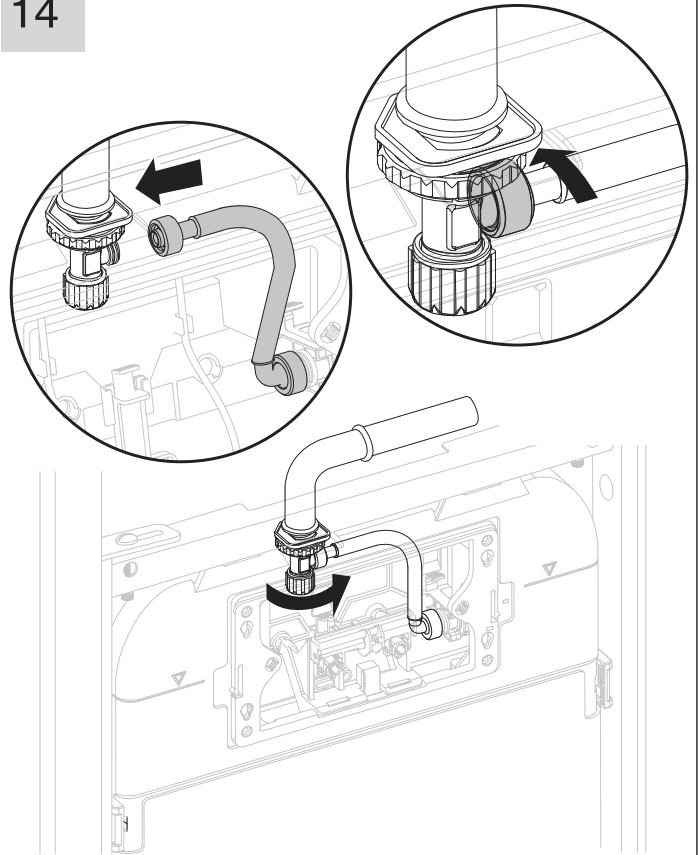


INWALL CISTERN INSTALLATION
(e.g. when installing inside a timber wall)

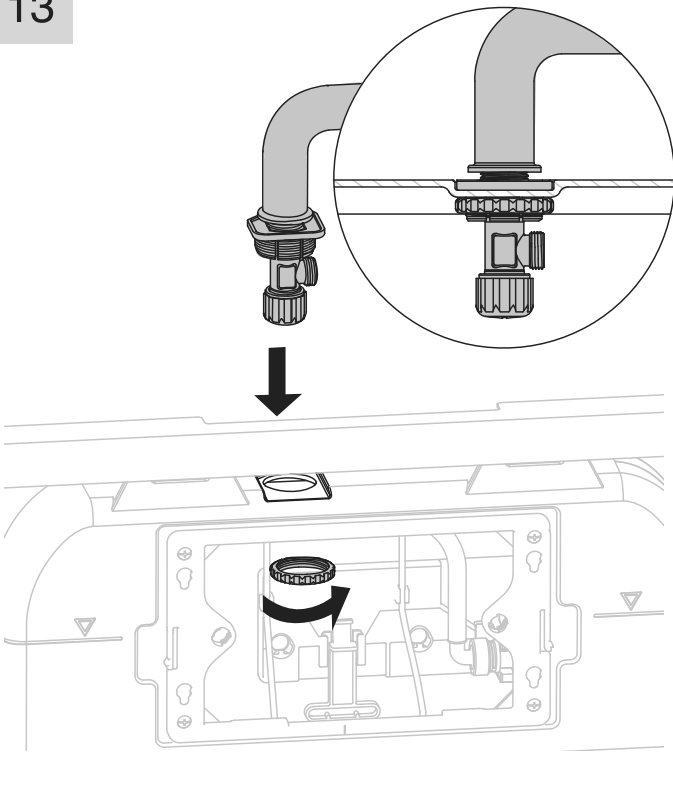
12



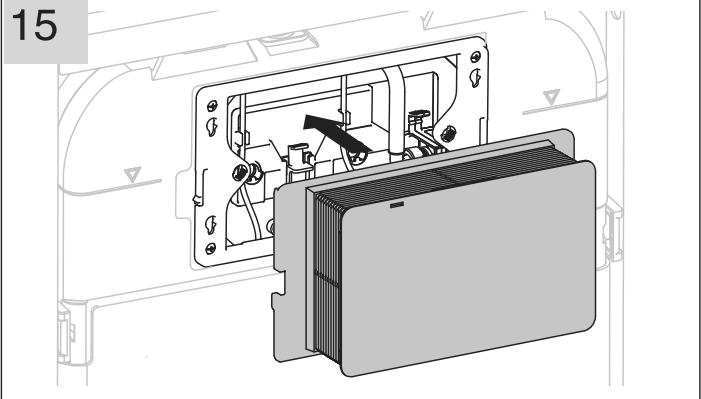
14



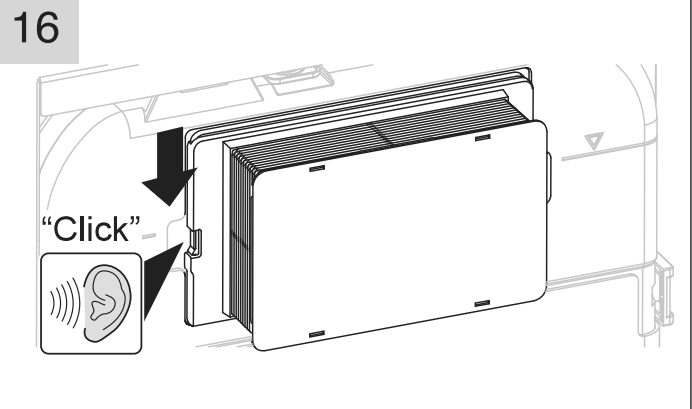
13

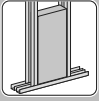


15



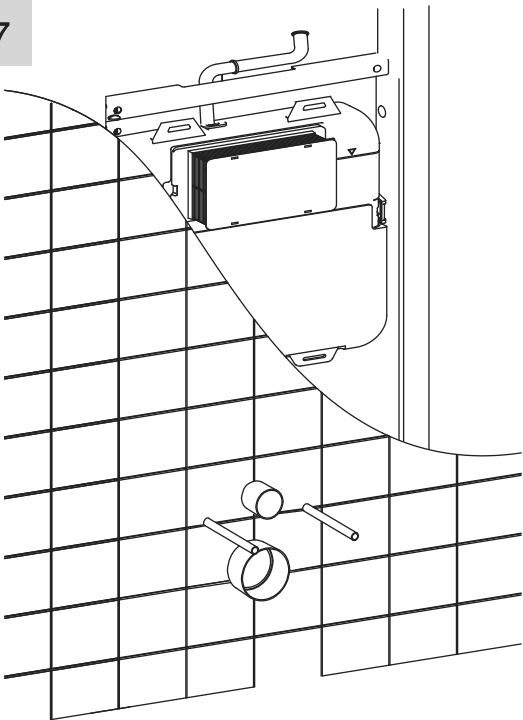
16





INWALL CISTERN INSTALLATION
(e.g. when installing inside a timber wall)

17



18

