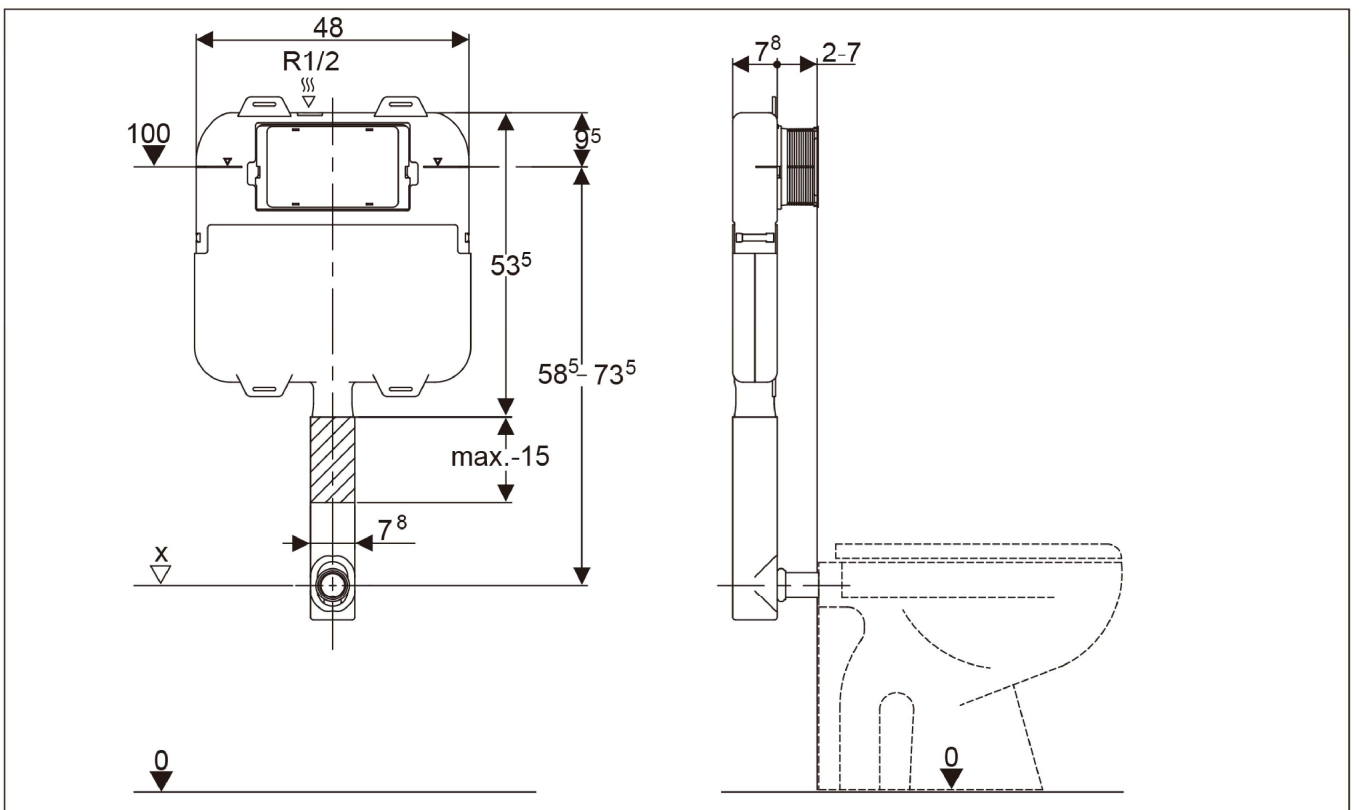
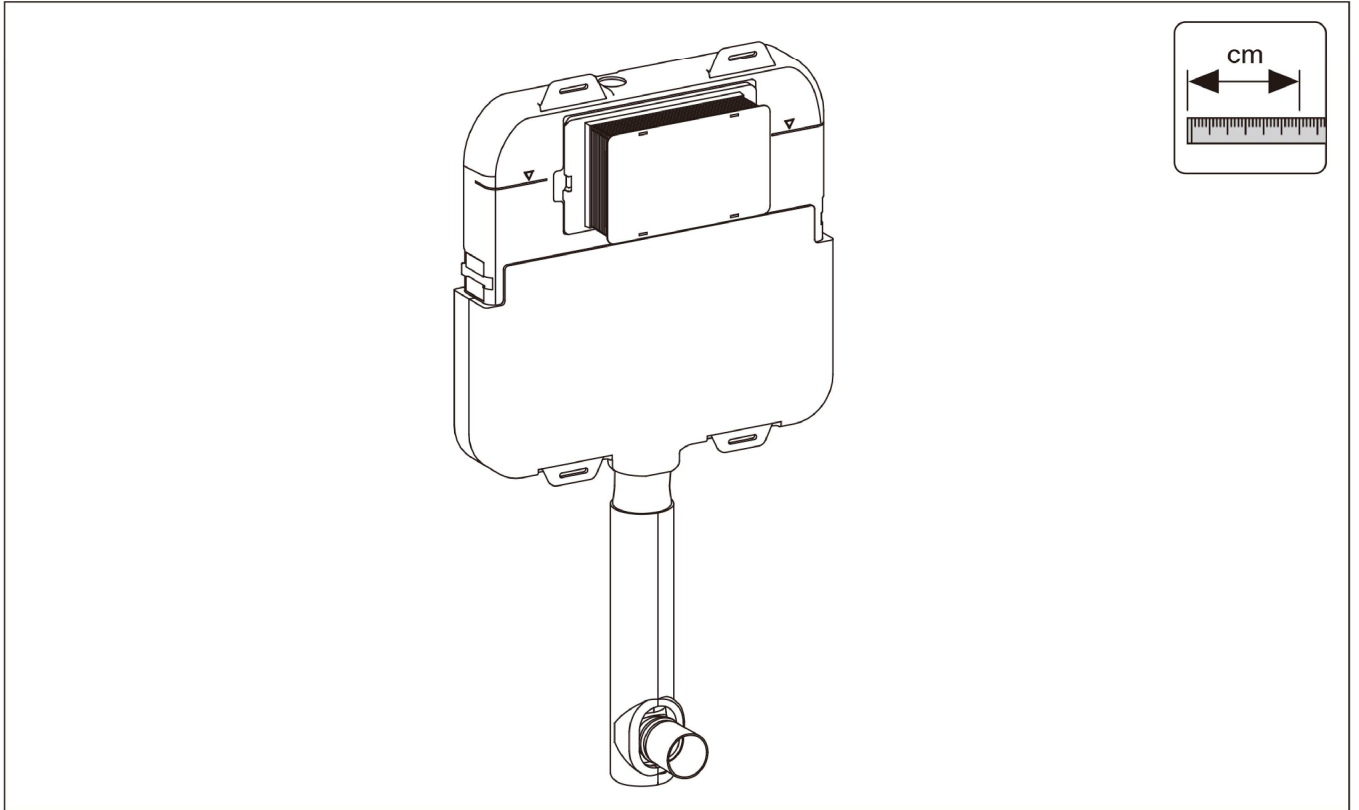


Installation

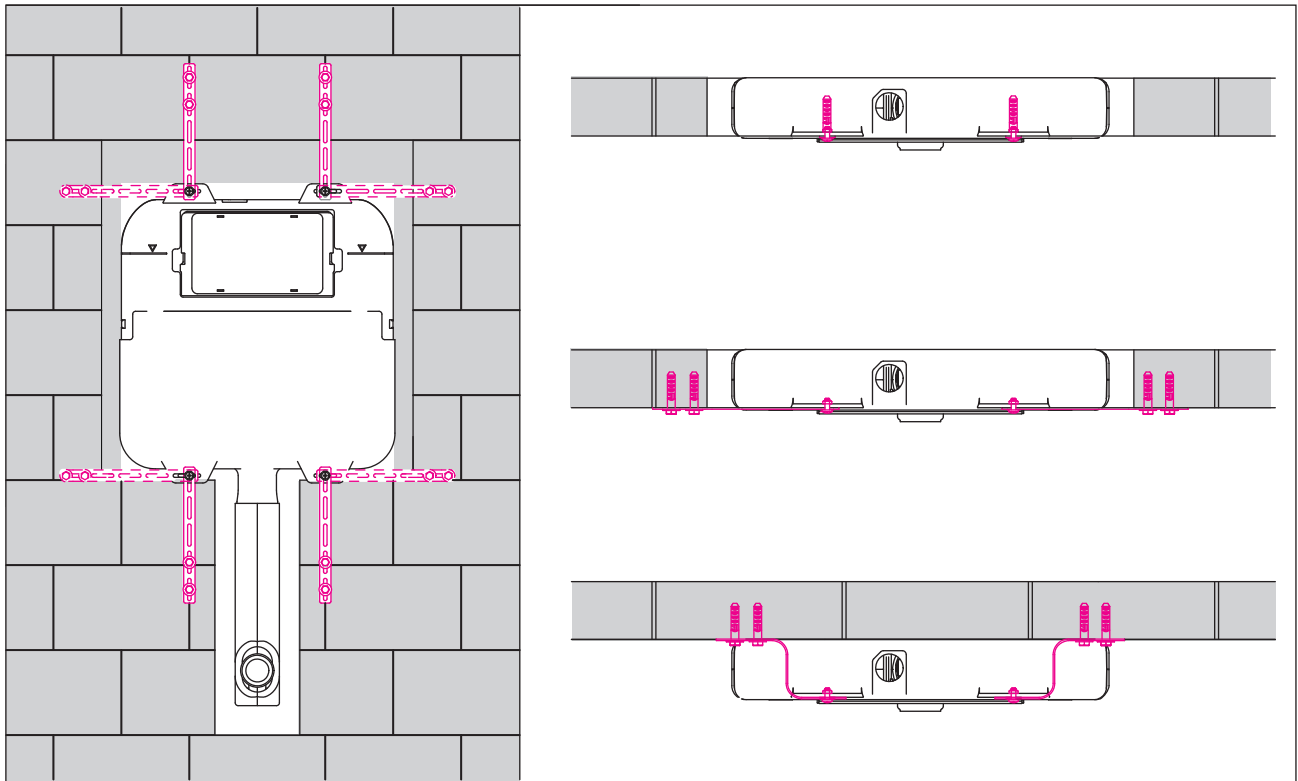


1G560026 1.0

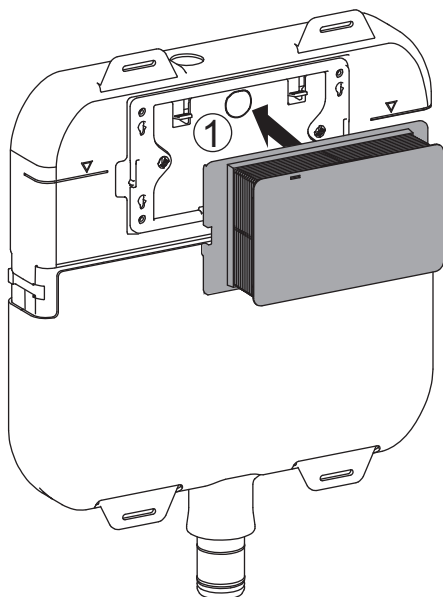
Installation



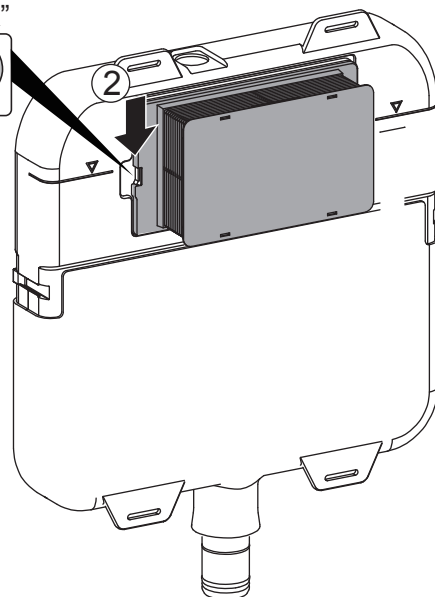
FRONT OF WALL CISTERN INSTALLATION
(e.g. when installing in front of a brick wall)



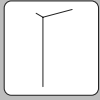
1



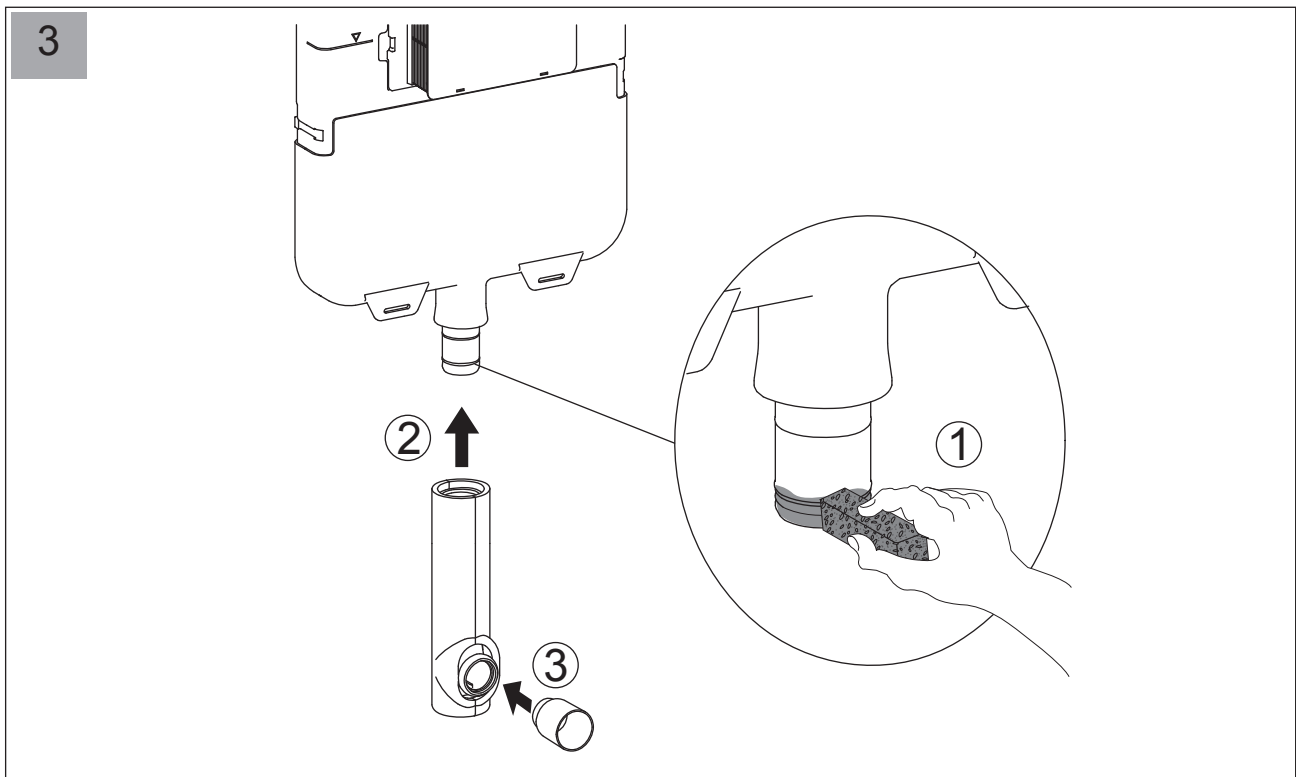
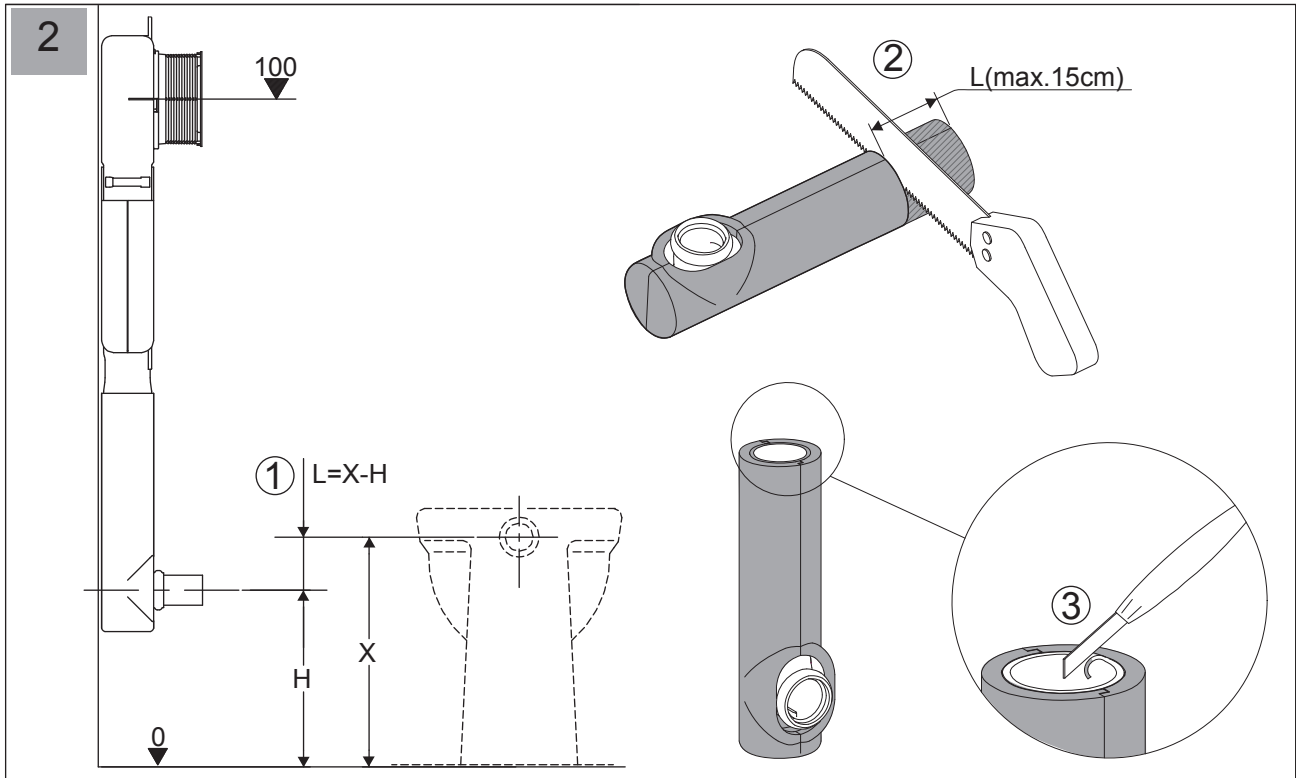
"Click"



Installation



FRONT OF WALL CISTERN INSTALLATION
(e.g. when installing in front of a brick wall)

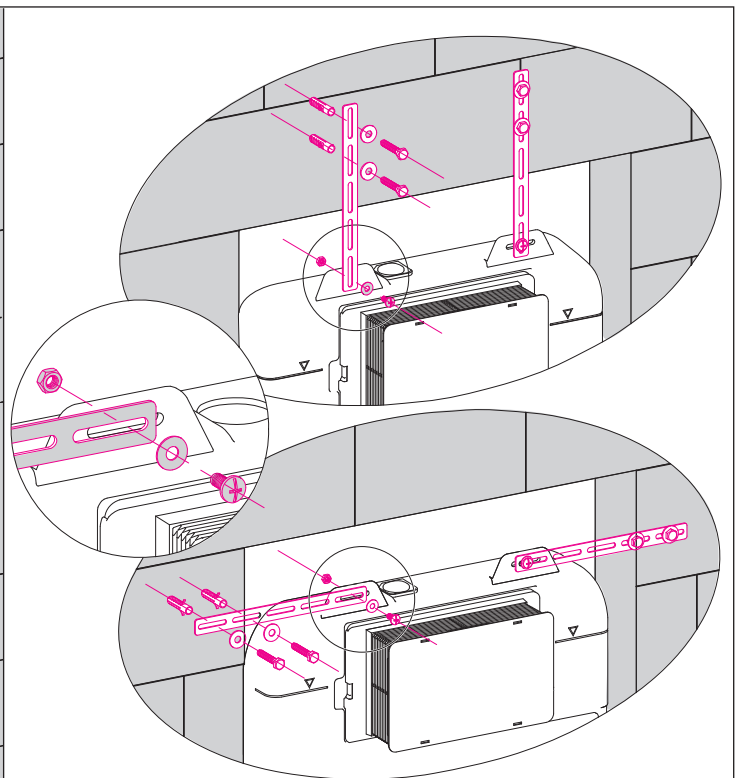
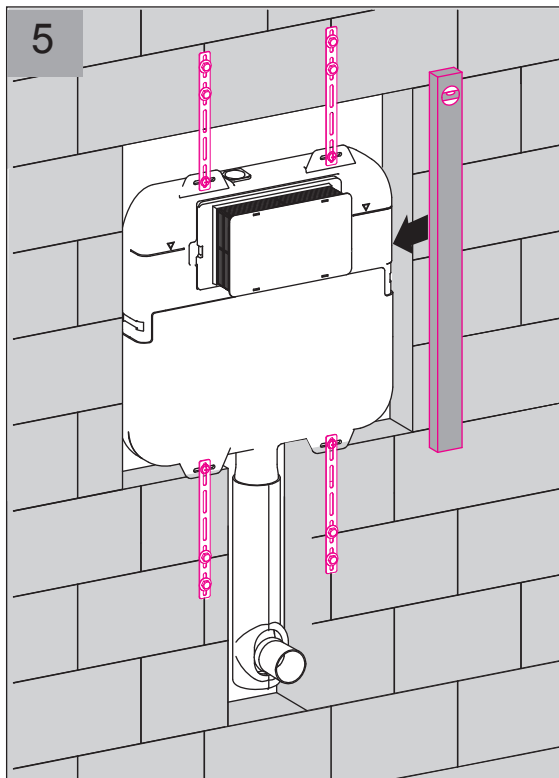
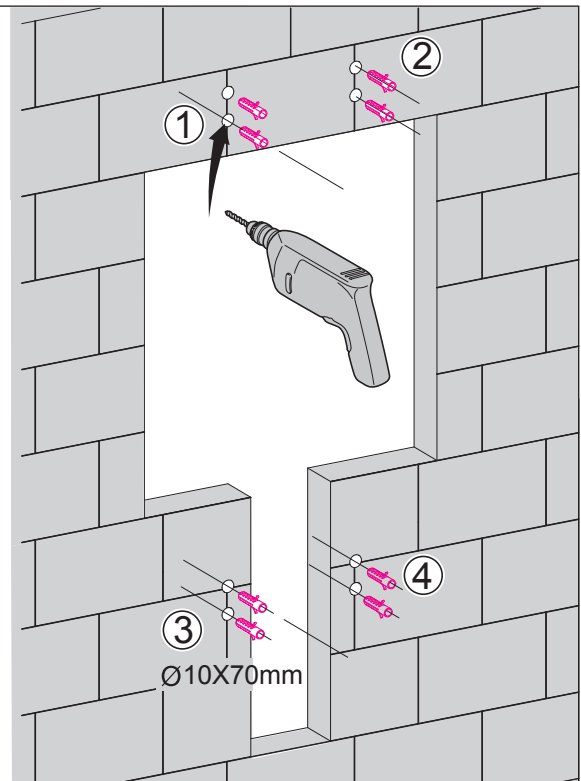
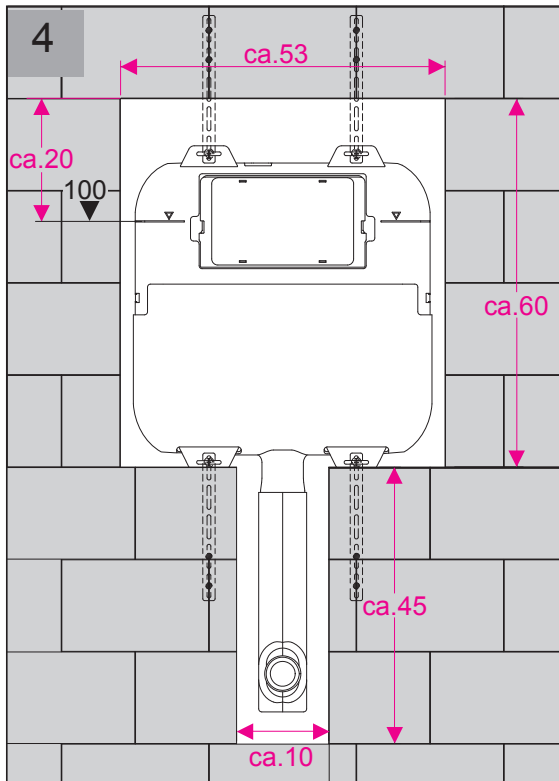


Please note: For height of measurements between bottom of flush pipe and pan, refer to your pan specifications.

Installation



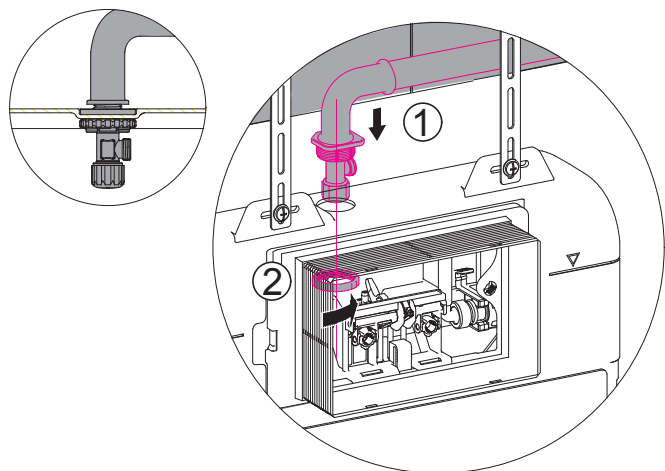
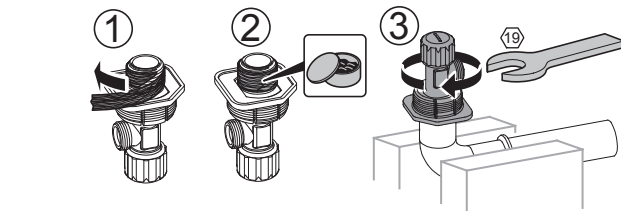
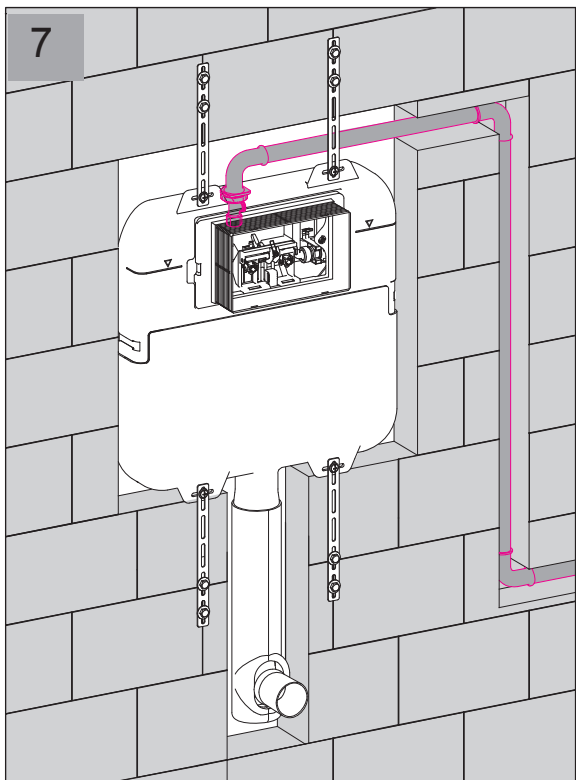
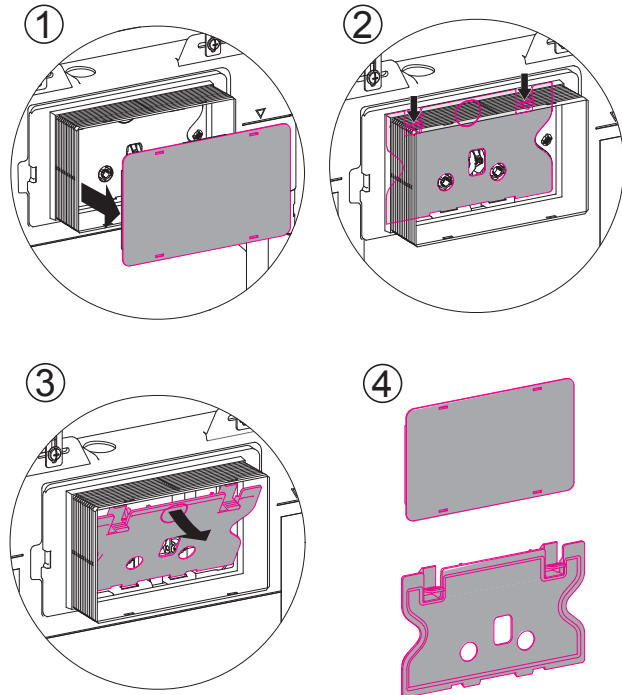
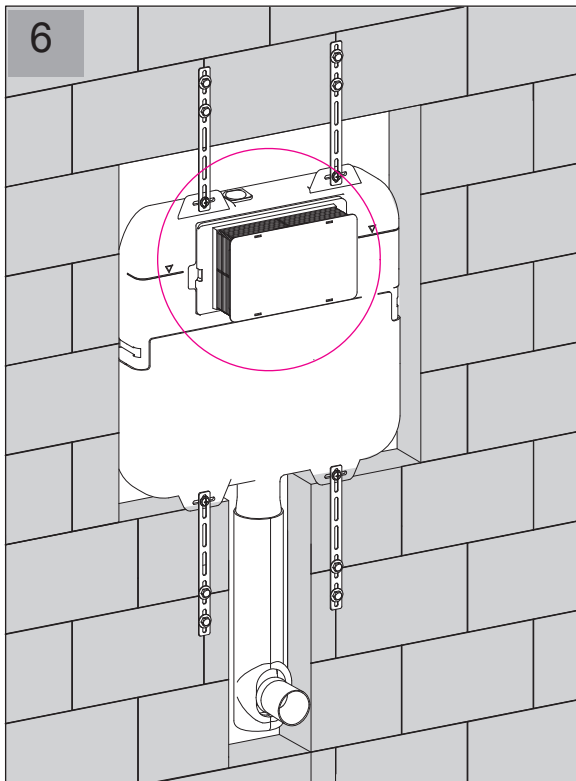
FRONT OF WALL CISTERN INSTALLATION
(e.g. when installing in front of a brick wall)



Installation



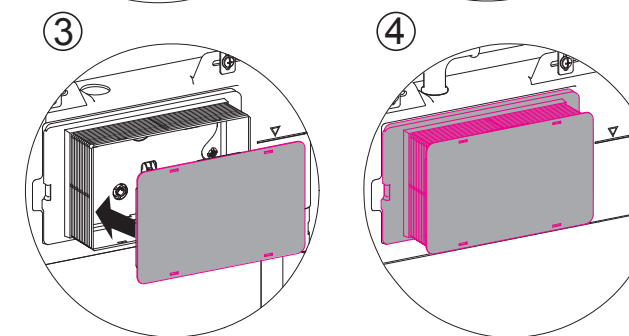
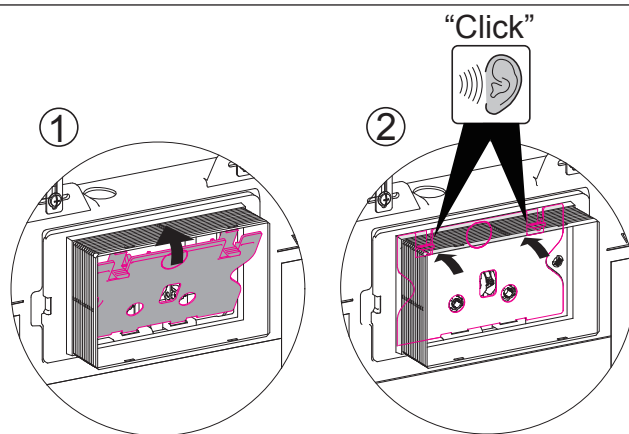
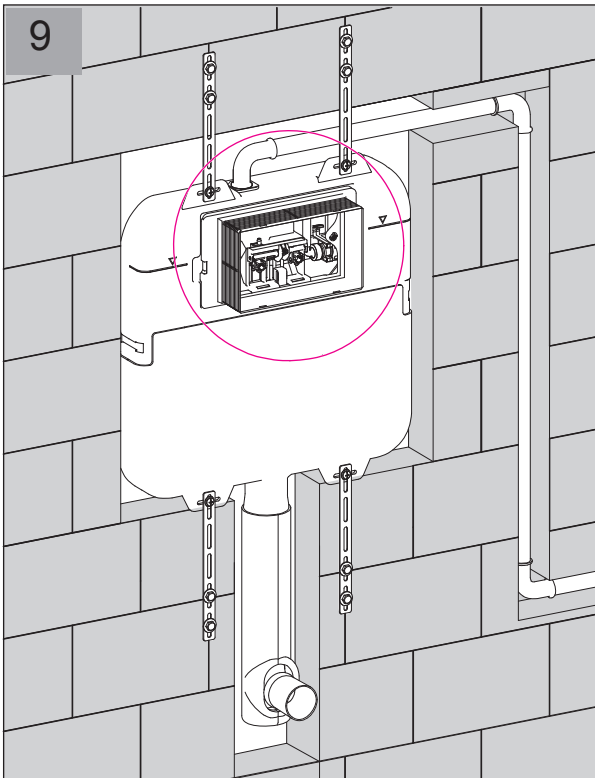
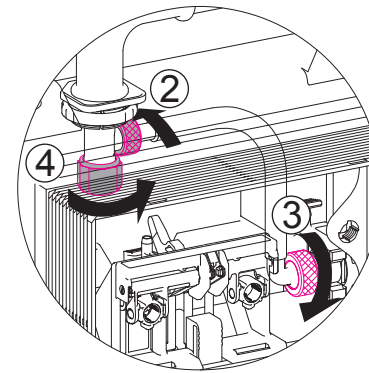
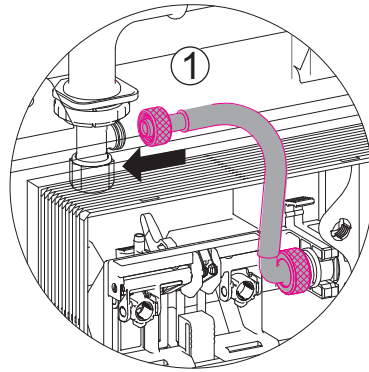
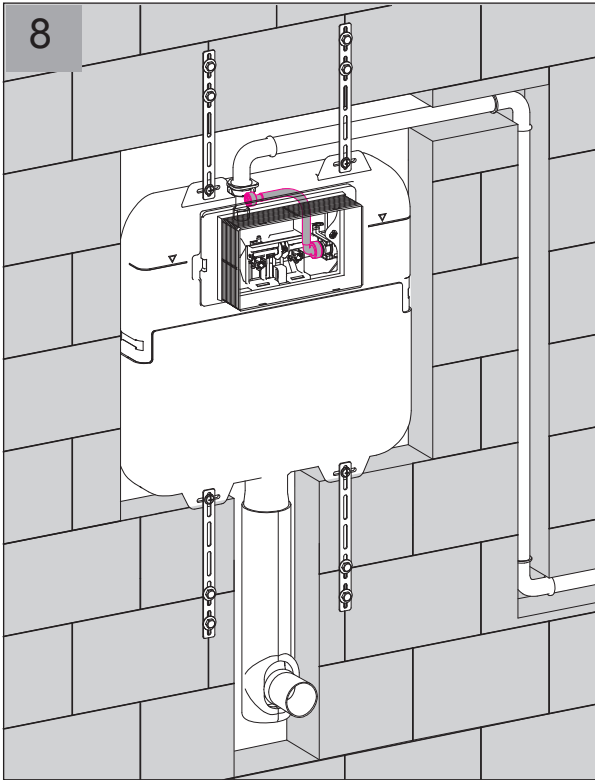
FRONT OF WALL CISTERN INSTALLATION
(e.g. when installing in front of a brick wall)



Installation



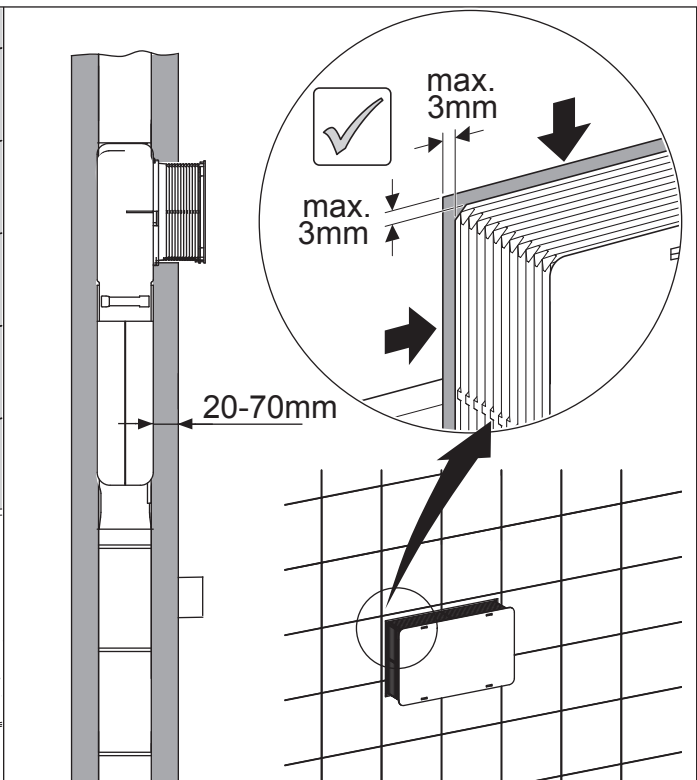
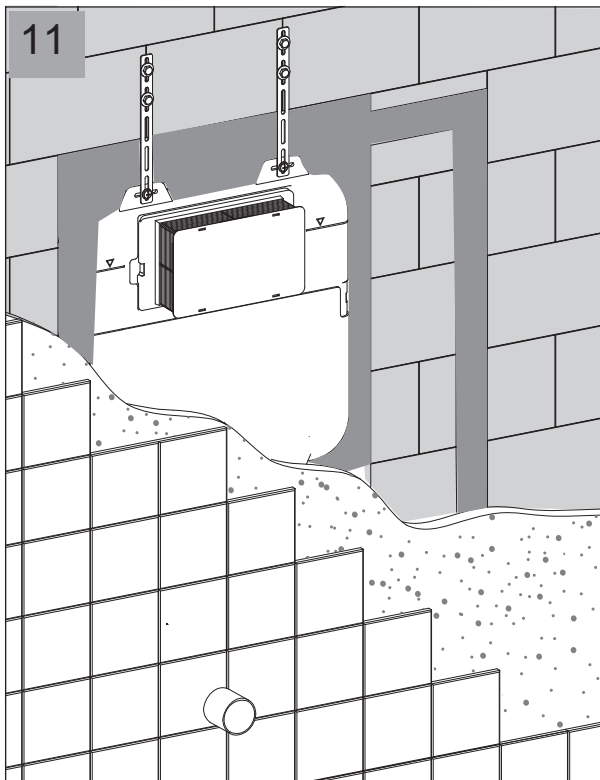
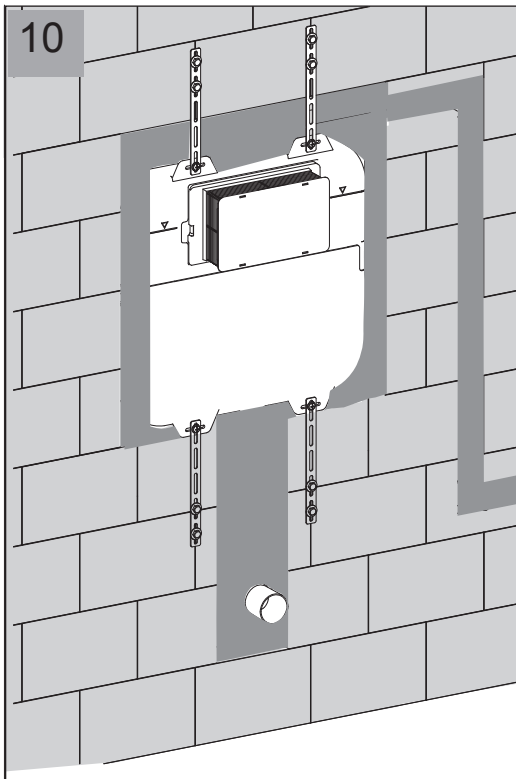
FRONT OF WALL CISTERN INSTALLATION
(e.g. when installing in front of a brick wall)



Installation

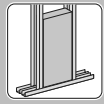


FRONT OF WALL CISTERN INSTALLATION
(e.g. when installing in front of a brick wall)

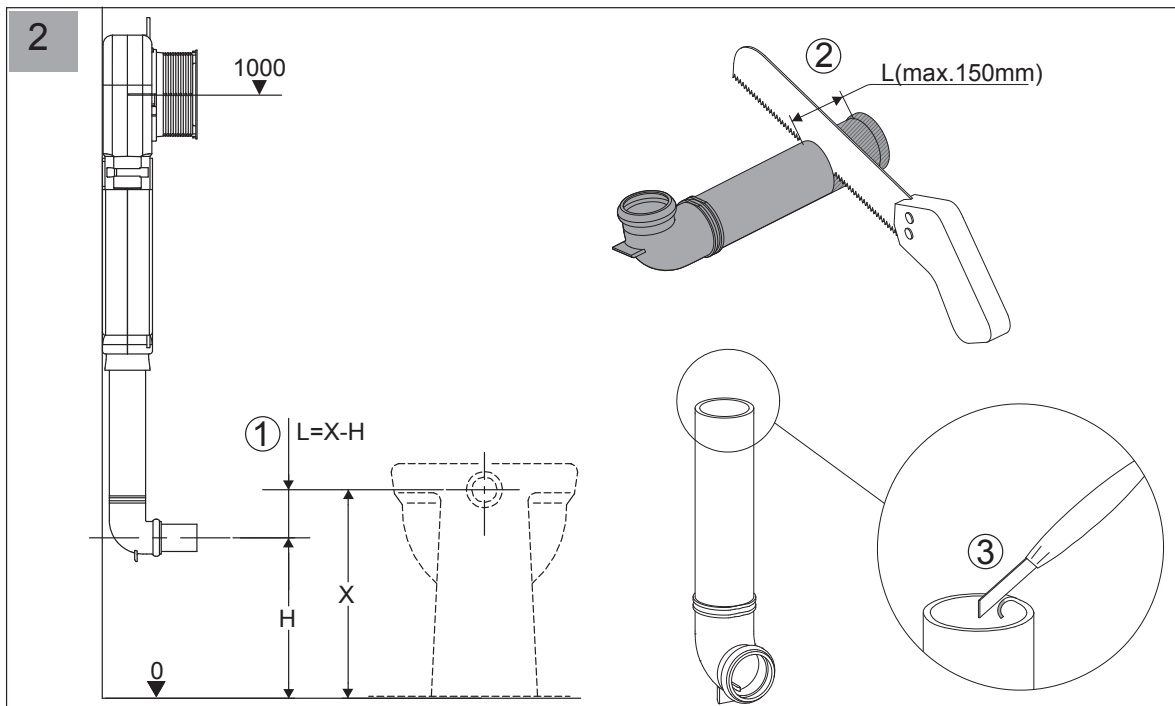
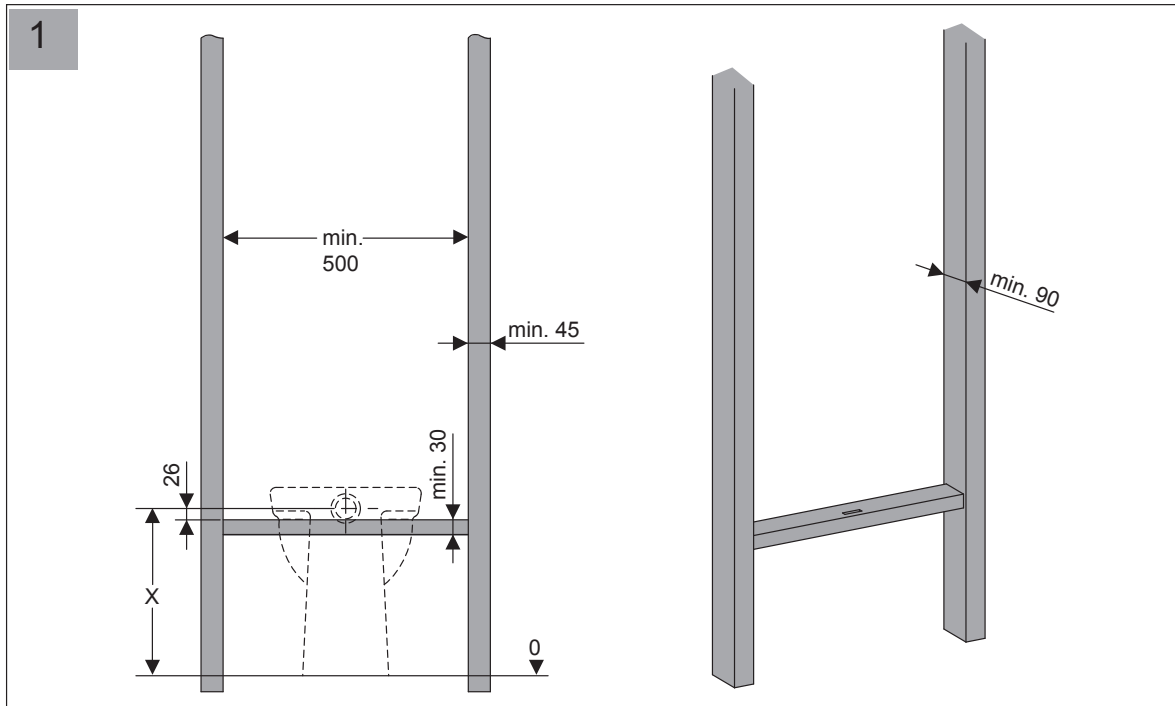


For button installation, refer to individual button instructions

Installation

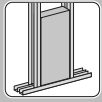


INWALL CISTERN INSTALLATION (e.g. when installing inside a timber wall)

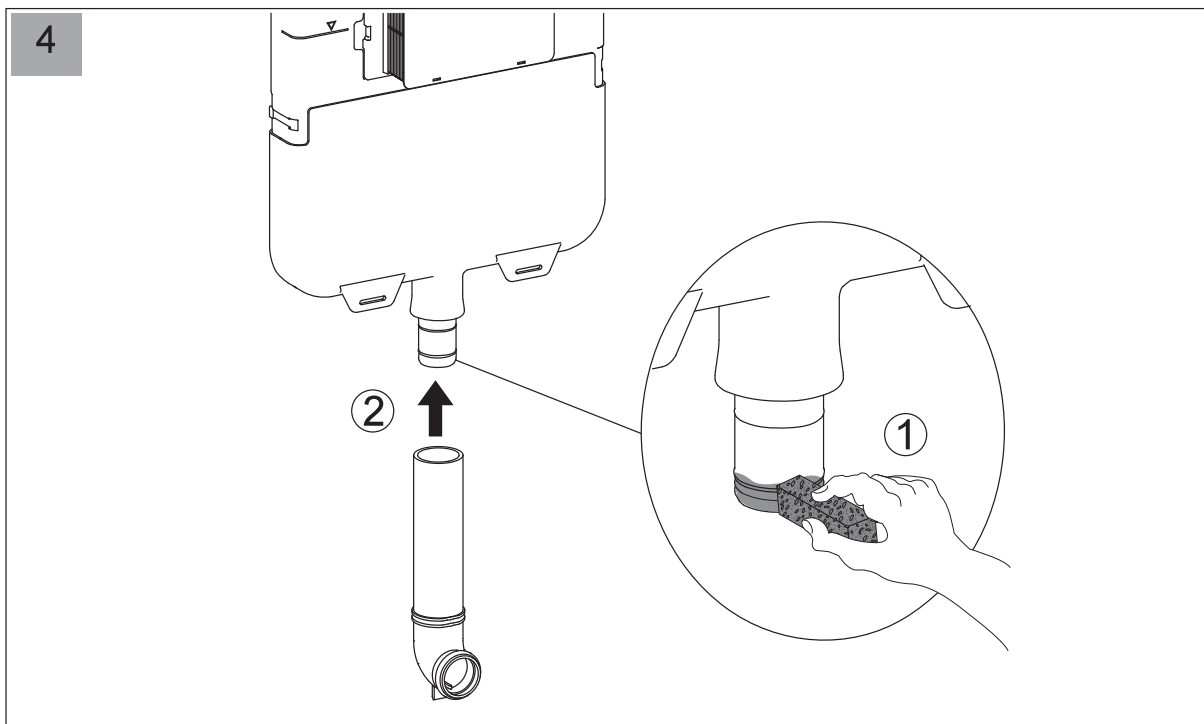
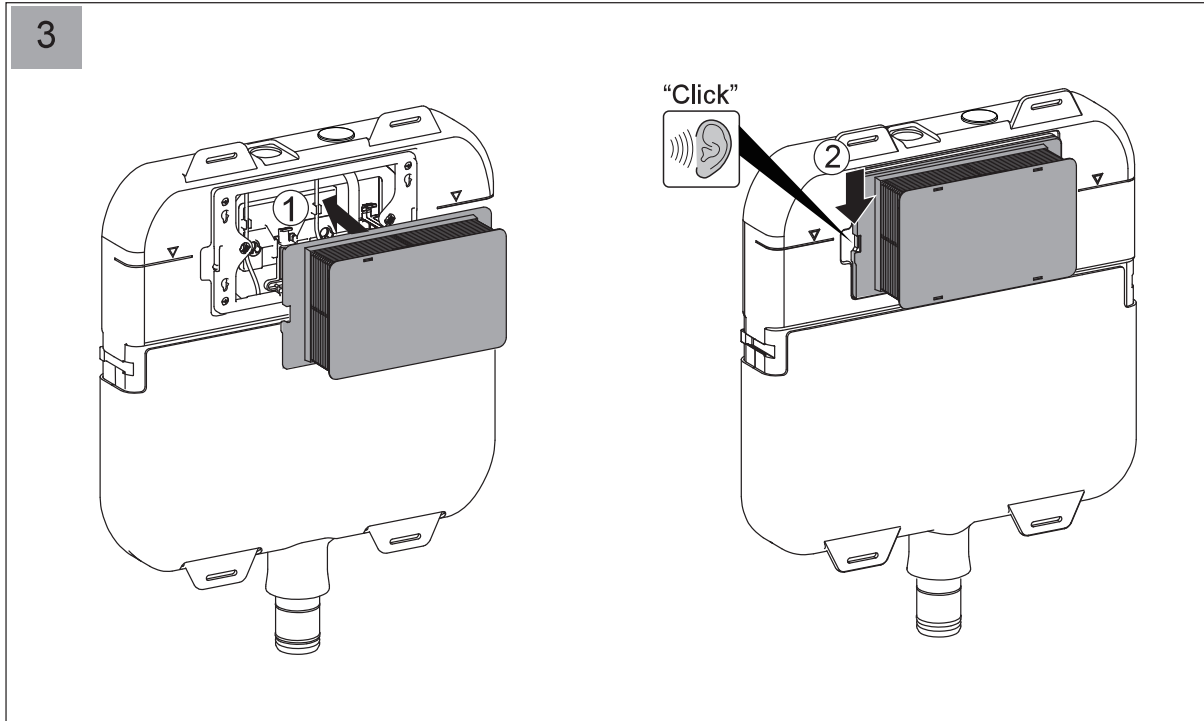


Please note: For height of measurements between bottom of flush pipe and pan, refer to your pan specifications.

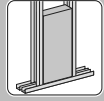
Installation



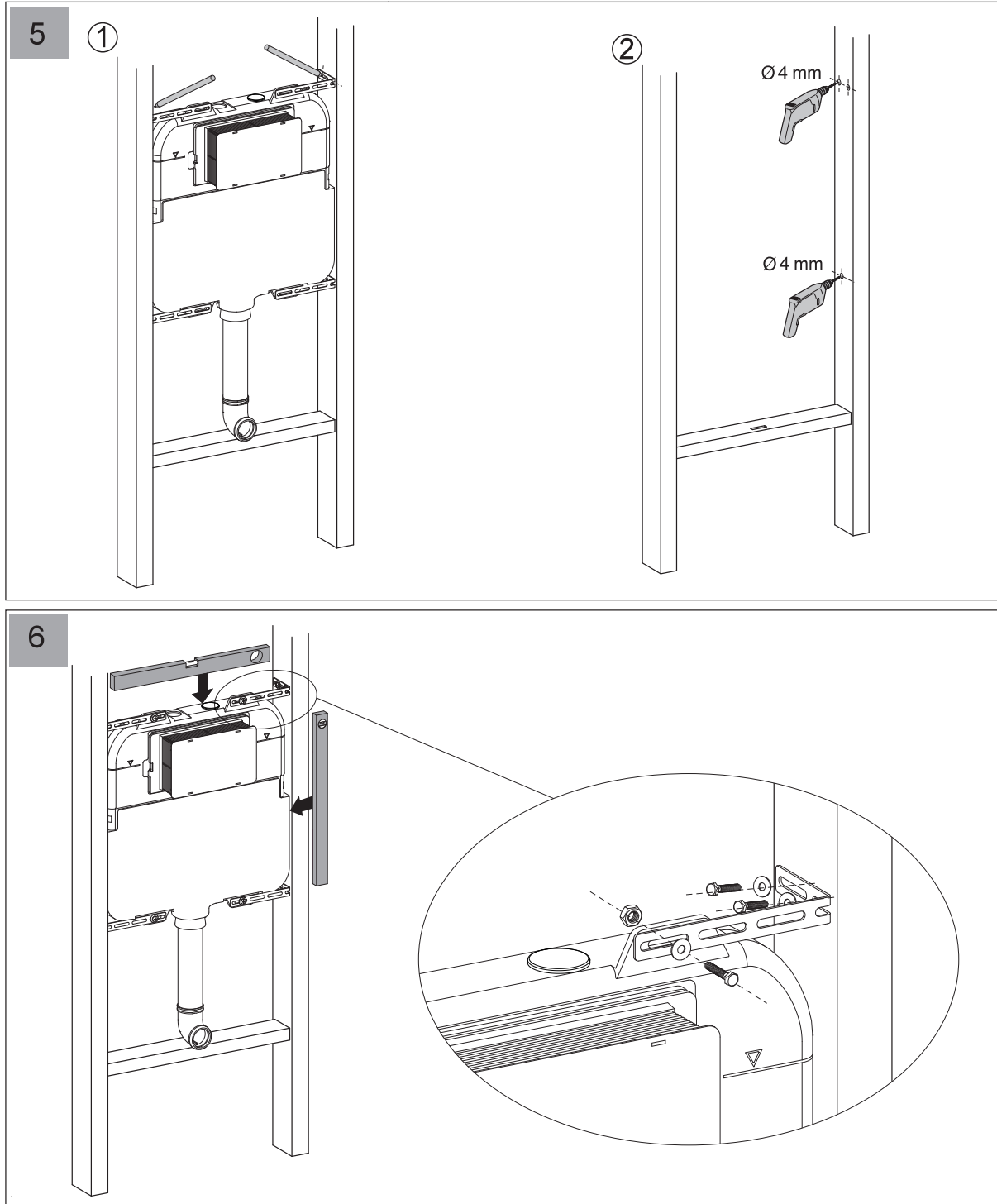
INWALL CISTERN INSTALLATION (e.9.when installing inside a timber wall)



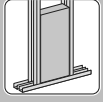
Installation



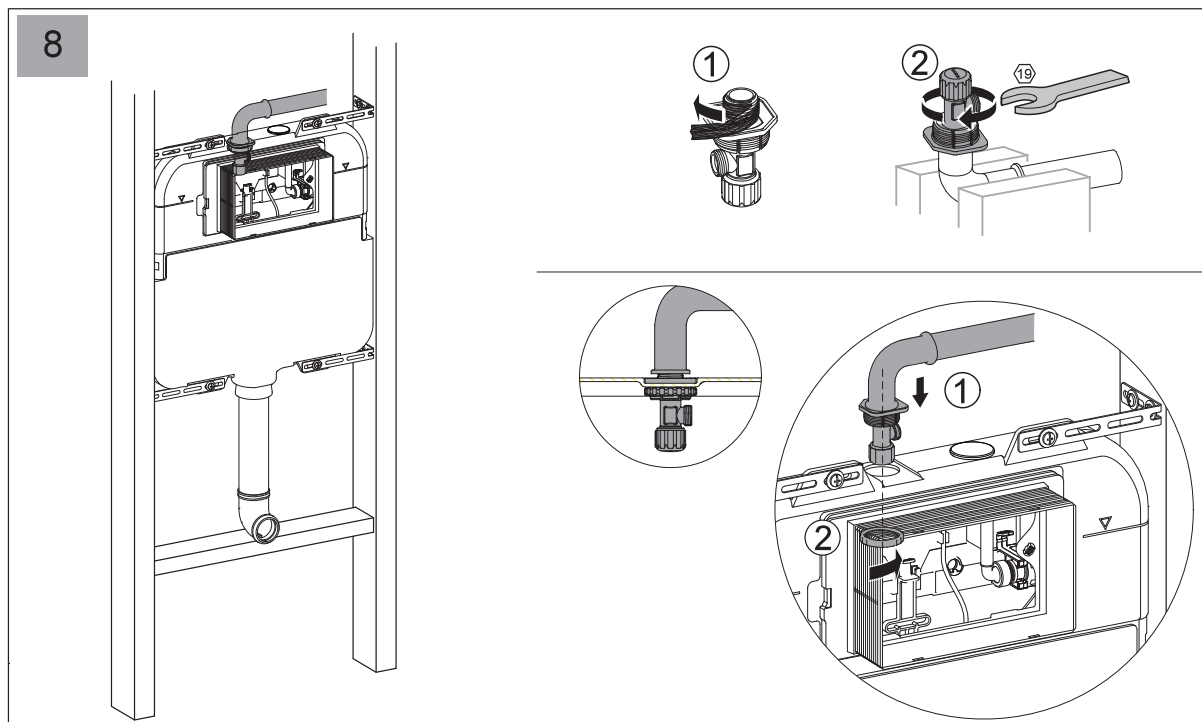
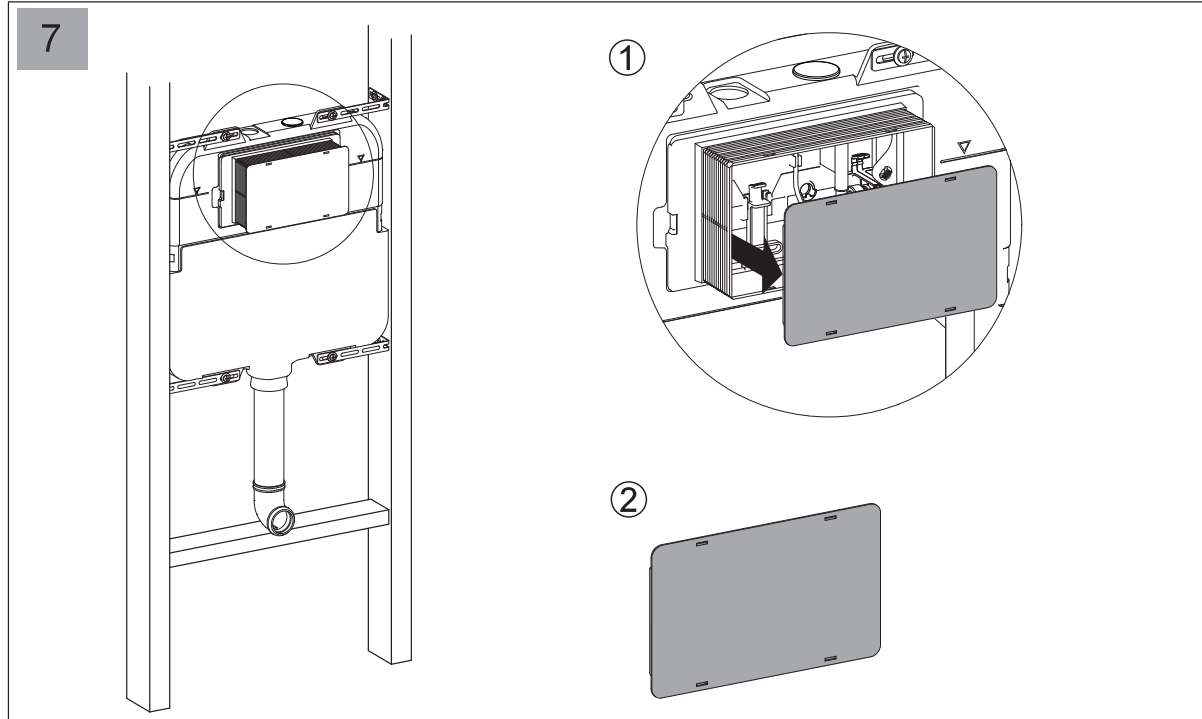
INWALL CISTERN INSTALLATION (e.9.when installing inside a timber wall)



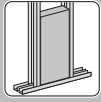
Installation



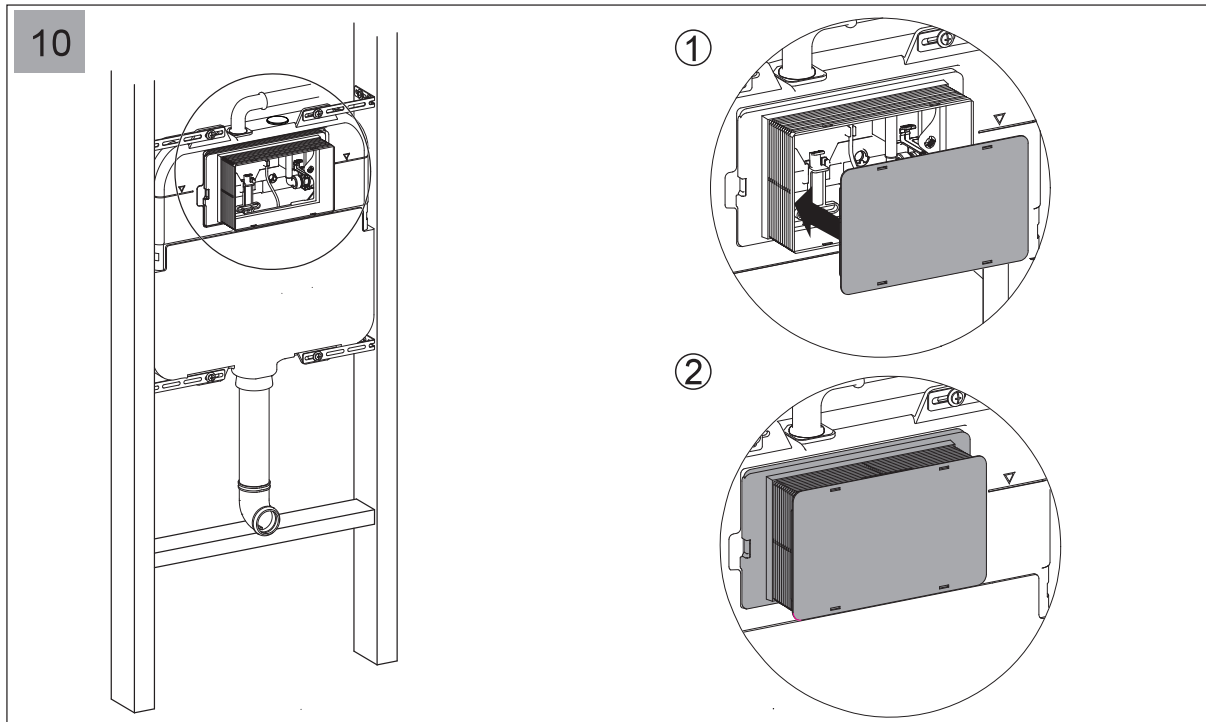
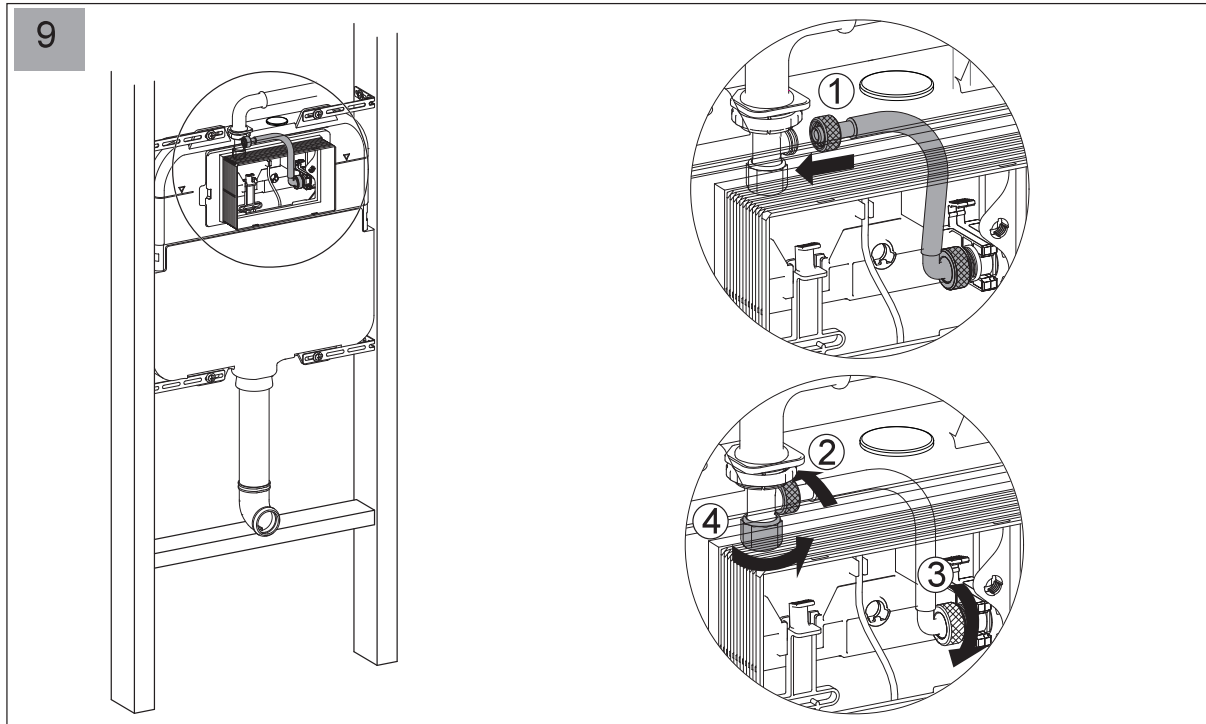
INWALL CISTERN INSTALLATION (e.9.when installing inside a timber wall)



Installation

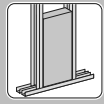


INWALL CISTERN INSTALLATION (e.9.when installing inside a timber wall)



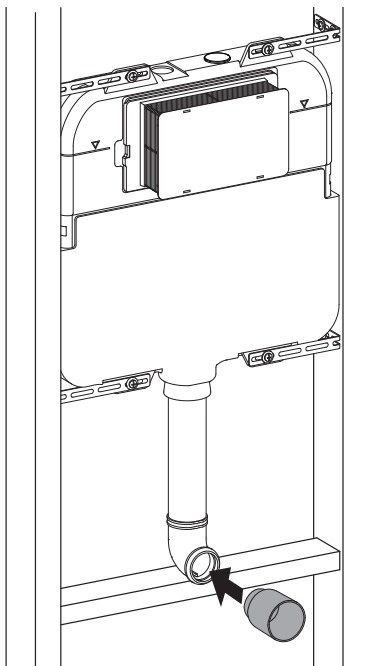
Please note: Illustrations shown for front access installation.

Installation

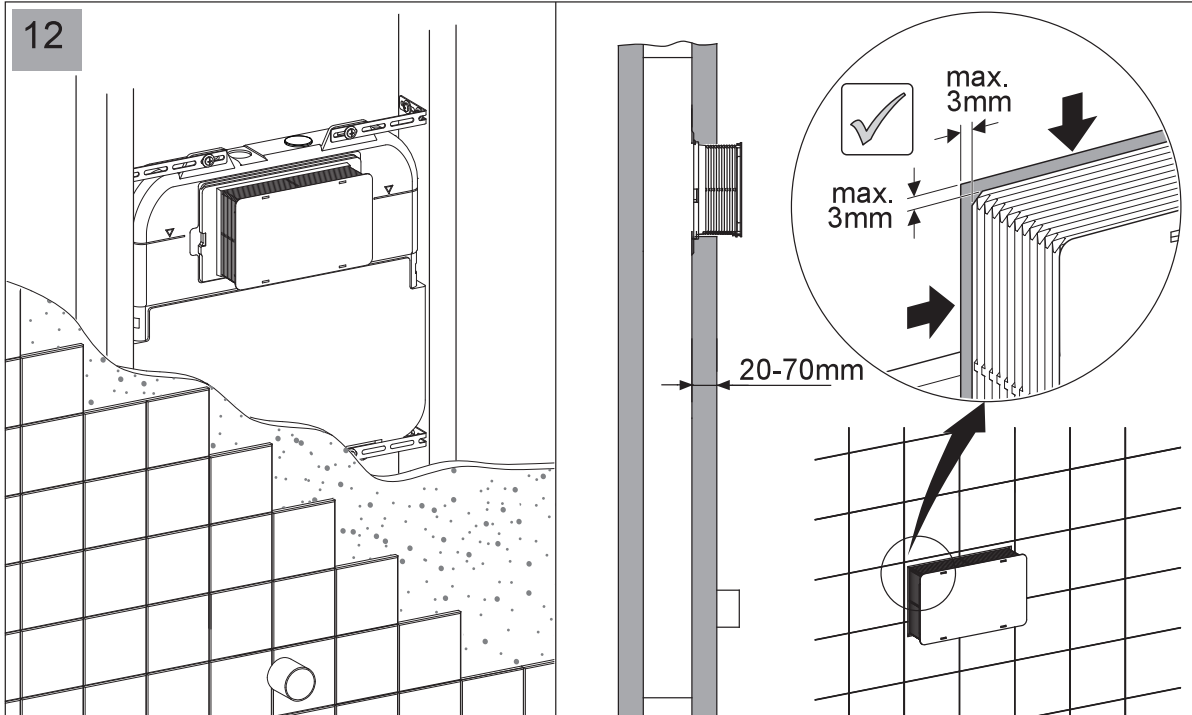


INWALL CISTERN INSTALLATION (e.9.when installing inside a timber wall)

11

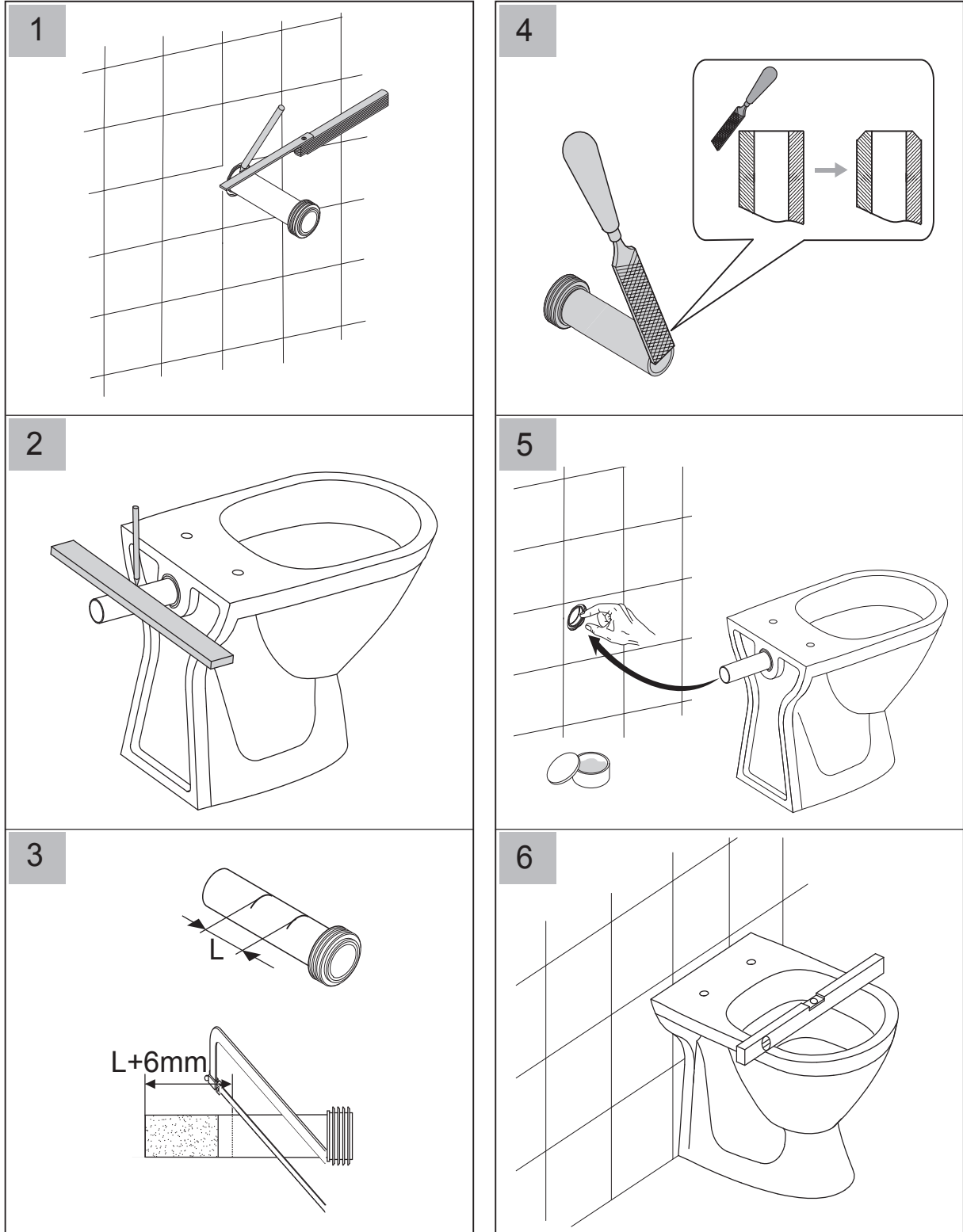


12



For button installation, refer to individual button instructions

Installation



Note: Refer to installation instructions for your selected pan

Plumbers, please ensure a copy of the installation instructions is left with the end user for future reference