

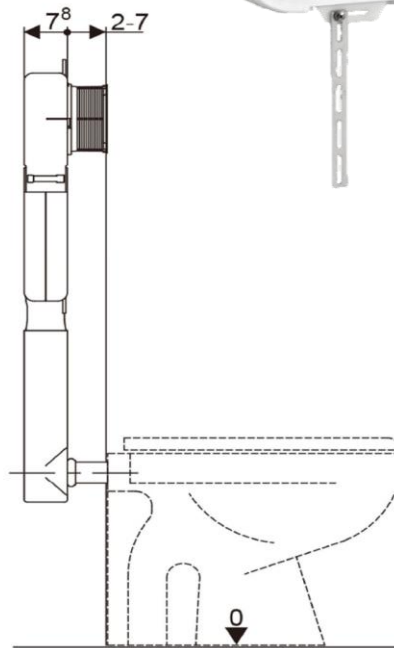
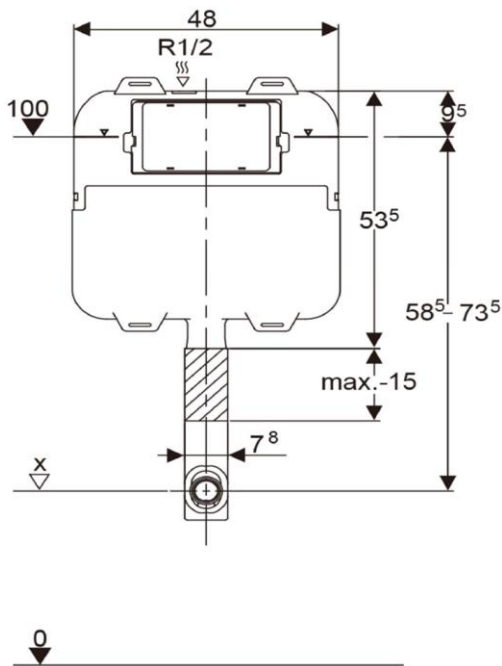
Oxford Pneumatic In Wall Cistern



KI1001FL

Oxford Pneumatic Slim In Wall Frameless Cistern

- Oxford pneumatic slim in wall frameless cistern
- To be installed with Kinetic faceplates and floor mounted pans
- Designed with Pneumatic flushing mechanism
- Fully serviceable via faceplate access
- Fits within a standard 90mm wall cavity
- Recommended operating pressure 350-500kPa



CARE AND USE

Bathroom Accessories

All finishes are smooth, abrasion resistant, corrosion resistant, fade-proof and easy to clean. All finishes are super hard wearing surfaces that won't chip, peel or tarnish with normal use. All surfaces should be regularly wiped clean with non scouring, neutral wash solutions.

LIMITED PRODUCT WARRANTIES

To be read in conjunction with and subject to all terms and conditions contained in the Waterware 'Producer Statement' available on-line (<http://www.waterware.co.nz/media-downloads>) From date of purchase, Waterware Services warrants products from the following categories to be free from manufacturing defect subject to exclusions (if applicable):

Category	Domestic Installations	Commercial Installations	Exclusions	Wels
Toilets and cisterns	5 years parts and labour, 6 - 10 years parts only	1 year parts and labour	Flush Valve seals	4 Star 3/4.5L litre flush