

FCV93

Vasco Fan Coil 15.7kW



Technical Specification

- Air flow m³/hr: 735 - 1500
- Cooling power kW: 4.0 - 6.56
- Heating power kW: 4.42 - 7.78
- Pressure drop cooling kPa: 11.8 - 28.6
- Pressure drop heating kPa: 9.8 - 26.5
- Fan power Watts: 78 - 176
- Sound power db(A): 47 - 64
- Sound pressure dB(A): 38 - 55

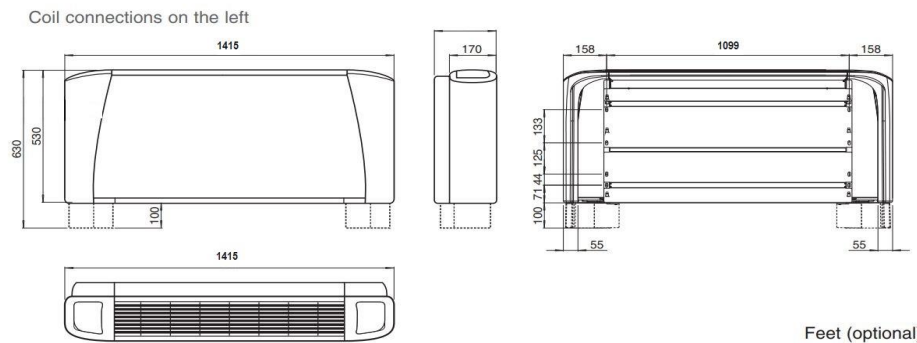


COOLING

Entering air temperature + 27°C d.b. + 19°C w.b.
 Water temperature + 7°C E.W.T. + 12°C L.W.T.

HEATING

Entering air temperature + 20°C
 Water temperature + 45°C E.W.T. + 40°C L.W.T



Application

The Vasco Fan Coil 15.7kW is used in heating & cooling systems to deliver hot or cold air and is installed mostly at point of delivery.

Warranty

[Download the latest warranty statement](#)

Features

In line with innovative trends and modern industrial design, the SEC/F fan coil range meets today's demanding requirements of performance, size, acoustics, low energy, ease of installation and maintenance. The SEC/F fan coil unit has been designed around a platform of models, versions and accessories.

- Features a centrifugal fan and equipped with electric motors dramatically reducing electrical consumption
- 6 speed motors as standard offering greater flexibility
- Two row LTHW coil giving improved outputs at lower flow and return temperatures.

- Optional support feet
- Optional manual or automatic fan speed controllers

Available in 3.9kW, 6.9kW, 9.2kW and 15.7kW