

FCVTMVS

Vasco Fan Coil thermostatic speed controller

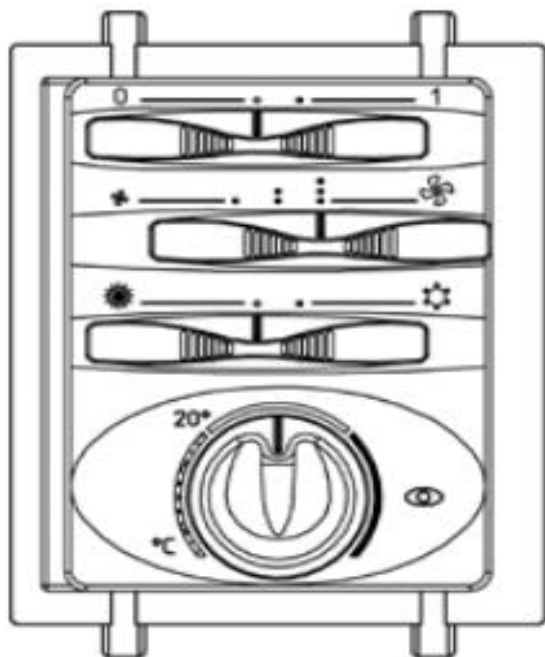


Technical Specification

Speeds: 3

Control: Thermostatic

Water sensing: With TMM



Application

The Vasco Fan Coil 3 speed controller is used in heating & cooling systems to control functionality of the system and is installed mostly at point of delivery.

Warranty

5 years parts and labour

Features

- ON-OFF switch.
- 3 speed switch.
- Summer/Winter switch.
- Electronic room thermostat for fan or valve control (ON-OFF).
- It allows to control the low temperature cut-out thermostat (TMM).
- It allows to control the chilled water valve (ON-OFF) and the electric heater (BEL) only in case that hot water is not used in winter (otherwise please use TMV-R-IAQ control with on/off switch for the electric heater)