



WATERWARE
MODSpec
SPECIFICATION SERVICE

COMMERCIAL
BATHROOMWARE
& SANITARYWARE

ABOUT WATERWARE

Since 1989, our passion has been delivering quality in all things plumbing, central heating and cooling, and bathroomware.

Waterware is proudly New Zealand owned and operated. From the outset we've been supporting the market with technical and design knowledge, helping deliver products and solutions that are functional, intuitive and beautiful.

Waterware are innovators setting the pace in New Zealand with hydraulic radiant heating and cooling technology, high-performance plumbing fittings, and on-trend bathroomware.

What we do

Bathroom

Hand-picked from across the globe, our bathroomware delivers on design, quality and value

We've partnered with our factories to design products that Kiwis are proud to own. Introducing new materials and technologies to suit the local market, with clever design and longer warranties.

Radiant Heating & Cooling

Ditch noisy blasts of hot or frigid air, drafts, and dust. Waterware are leaders in radiant heating and cooling powered by heatpump technology for superior comfort in commercial and residential applications.

Plumbing

If you want clever designs, greater aesthetics, more sustainable material choices, and manufacturing processes that are considerate to our environment, then we have the products and solutions for you.

The Solutions Suite

In engineering, a bigger hammer would do it – but smarter problem solving does it better. Talk to us about innovation, and how we can solve your bathroom, plumbing, heating, and cooling issues with customised solutions.



Our commitment

We're on a mission to make lives easier with plumbing, central heating and cooling, and bathroomware solutions that look great and perform their best.

Waterware is constantly evolving to lead the market while reflecting our values of integrity, bold thinking, and genuine partnerships with everyone we interact with. We want to create environments of success for everyone involved.

We take special pride in our pre- and post-sales service experience, and our impressive network of business relationships around the world. Over the years, we've connected with thousands of like-minded partners to help us source products that suit our local market and perform better than any others.

Our products are supported by our extensive range of spare parts, and our in-house Installer Training and Warranty Assurance programmes, so you can rest assured that you'll be taken care of.



COMMERCIAL BATHROOMWARE

Waterware has created an extensive range of sanitaryware products in collaboration with Gentec to provide a complete solution for commercial bathroomware projects. These products are designed and manufactured to be robust, sustainable and design driven.

See below examples of the product ranges available.

Introduction:

Gentec Australia and Waterware offer products for multiple applications within the healthcare, education, public spaces, sports facilities and hospitality sector.

We offer product solutions which utilise laser sensor technology, which provides hands free operation and maximises water efficiency to create hygienic environments and protect users.

Our sanitaryware utilizes anti microbial glazing to control bacteria and assist cleaning together with global manufacturing standards to deliver sustainability and Greenstar and Nabers certification.

To help deliver the perfect project our technical team can provide product specification sheets and technical drawings. Together with this we offer project proposals which can also include budget estimates.

Gentec
Anti microbial
Wall Basin



Waterware
accessible
BTW Suite



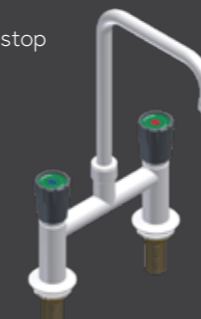
Waterware
Comfort Height
BTW Suite



GPure Rebel
Stainless steel
tapware



Duralab
Laboratory stop
tapware



Cleanline
Lever tapware



Smartec Plus
Electronic laser
tapware



Through experience Waterware has built, a dedicated team who have the product knowledge and technical expertise to deliver the commercial outcome you require. Now in its second generation of company ownership, Waterware continues its vision of product innovation and excellence built on resource sustainability, to create more effective products which provide better user experiences. These products will include design excellence to complement interior aesthetics, yet incorporate the reliability and durability necessary for their given environment.

Waterware's partnerships with leading global manufacturers provides access to the very best on offer, ensuring you our customers and your customers have the best product solution available for your project.

PROJECT TAPWARE	6
Finishes - chrome, brushed nickel, matte black	
<i>Suitable for: hotels, hospitals, healthcare, residential, offices, public spaces, education, accessible</i>	
PIONEER TAPWARE	14
Stainless steel construction, PVD plating, Nano-coating	
Finishes - brushed stainless, chrome brushed gold, gun metal, aged copper, matte black	
<i>Suitable for: hotels, residential, offices, public spaces, education</i>	
LUXE SENSORY TAPWARE	18
Finishes - chrome, brushed gold, gun metal, matte black	
<i>Suitable for: offices, public spaces, hospitality, hotels</i>	
MODSPEC BASINS.....	22
Vitreous - gloss white	
<i>Suitable for: offices, public spaces, education, accessible</i>	
HOSPITAL/HEALTHCARE/COMMERCIAL SANITARYWARE	26
Basins, basin shrouds, bottle traps, toilets, in wall cisterns and faceplates	
<i>Suitable for: Hospitals, Healthcare, offices, accessible, hospitality, public spaces</i>	
SMARTEC.....	34
Electronic Infrared Tapware	
<i>Suitable for: public spaces, hotels, offices, hospitality, food manufacturing</i>	
SMARTEC PLUS.....	40
Electronic Laser Stainless Steel Tapware	
<i>Suitable for: hospitals, healthcare, hotels, hospitality, offices, food manufacturing</i>	
GPURE	44
Stainless Steel Tapware	
<i>Suitable for: hospitals, healthcare, public spaces</i>	
FLOSTOP	48
Time Flow Tapware	
<i>Suitable for: public spaces, sports facilities, education</i>	
CLEANLINE.....	56
Lever Action Tapware	
<i>Suitable for: hospitals, healthcare, food manufacturing</i>	

JETFLO	60
Commercial Pre - Rinse Tapware	
<i>Suitable for: commercial kitchens, food manufacturing, hospitality</i>	
ECOSAFE.....	64
Safety Showers & Eyewashes	
<i>Suitable for: laboratories, healthcare, mining, manufacturing & chemical handling facilities</i>	
TEMPSET	68
Point of use Thermostatic Mixers	
<i>Suitable for: hospitals, health care facilities</i>	
MODSPEC ACCESSORIES.....	71
Commercial Accessories: Standard and accessible	
<i>Suitable for: hospitals, health & aged care facilities, accessible areas, public facilities, education</i>	
MODSPEC PROPOSAL BUILDER.....	76
<i>Once you have made your product selection, our team will run it through the proposal builder and present you with price details and spec sheets for all of the product for your project.</i>	
SMARTCART	77
<i>Schedule your next project with SmartCart and once order is placed you have guaranteed 2 year fixed pricing</i>	





Project

Commercial Tapware

The project range was launched in 2019 as a cost effective range in the commercial space, offering a soft square modern design style without compromising on quality full chrome on DZR brass construction. As we became more familiar with what customers were looking for in this space, the colour pallet was extended to include a brushed nickel and matte black.

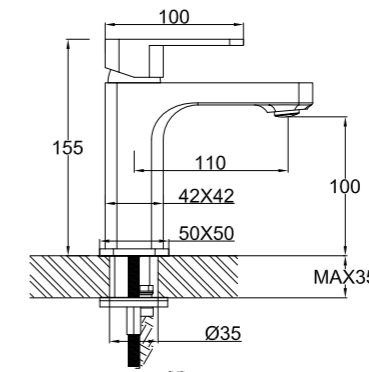
Additional wels flow rates available on request.

SOLUTIONS FOR:

- Hotels, hospitals, resthomes
- Offices
- Public Spaces
- Education
- Residential

PRODUCT

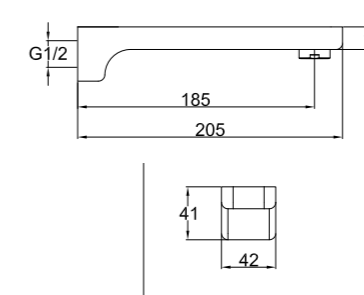
CODE: FWP8228CP



Standard Basin Mixer

Wels 5 Star 5L/min
Chrome
DZR Brass
10 year warranty
Hot and cold indicators

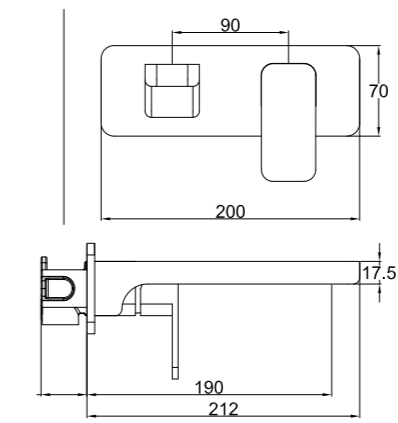
CODE: FWP08CP



Wall Mount Bath Spout

Chrome
DZR Brass
10 year warranty

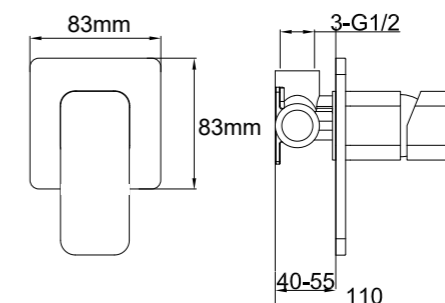
CODE: FWP8286CP



Wall Mounted Basin Mixer

Wels 4 Star 6L/min
Chrome
DZR Brass
Hot and cold indicators
10 year warranty

CODE: FWP8303SCP



Square Shower Mixer

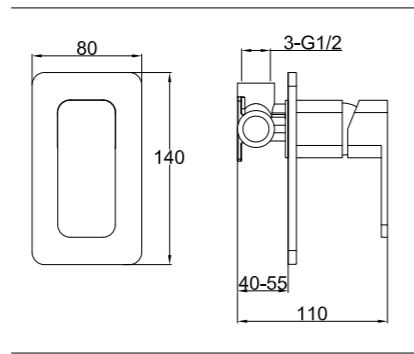
Chrome
DZR Brass Chrome
Hot and cold indicators
10 year warranty

PRODUCT

TECHNICAL DRAWING

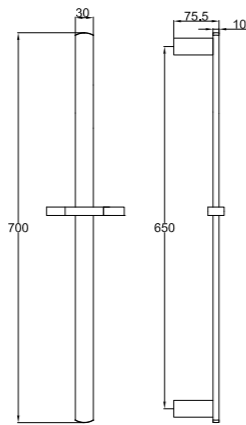
SPECIFICATIONS

CODE: FWP8303CP

**Standard Shower Mixer**

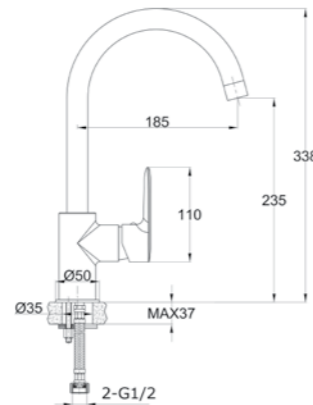
Chrome
DZR Brass
Hot and cold indicators
10 year warranty

CODE: FWP9516CP

**Slide Shower with 3 Spray Function Handshower**

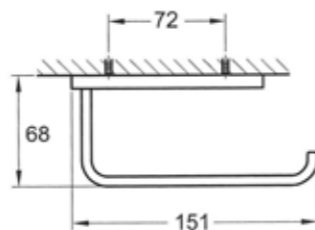
4 Star 6.5L/min
Chrome
DZR Brass
10 year warranty
excluding hose and hand piece

CODE: FWP86214CP

**Gooseneck Kitchen Mixer**

WELS 5 star 5.8L/min
Chrome
DZR Brass
Hot and cold indicators
10 year warranty

CODE: FW8921

**Toilet Roll Holder**

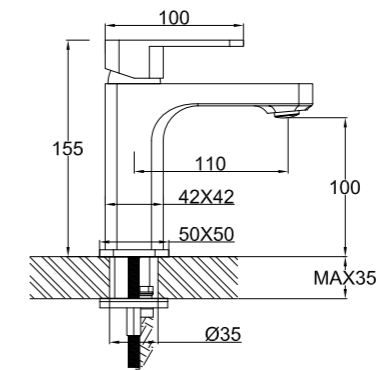
Chrome
DZR Brass

PRODUCT

TECHNICAL DRAWING

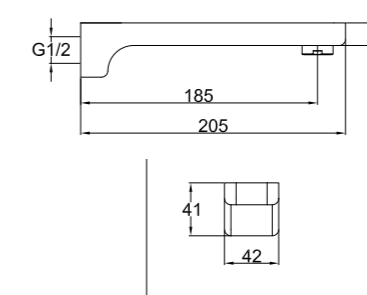
SPECIFICATIONS

CODE: FWP8228BN

**Standard Basin Mixer**

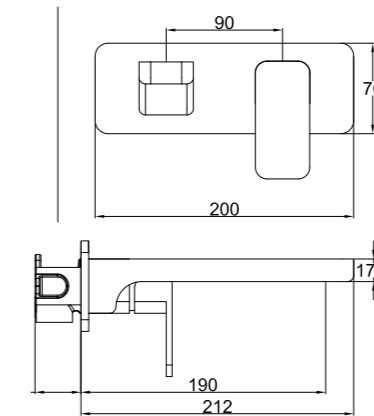
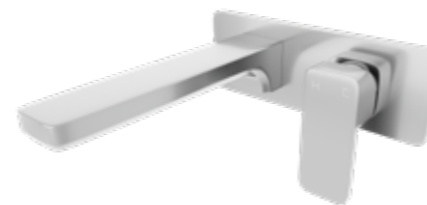
Wels 5 Star 5L/min
Brushed Nickel
DZR Brass
10 year warranty
Hot and cold indicators

CODE: FWP08BN

**Wall Mount Bath Spout**

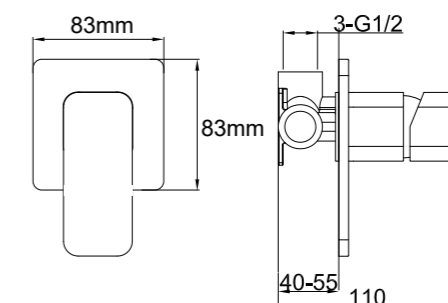
Brushed Nickel
DZR Brass
10 year warranty

CODE: FWP8286BN

**Wall Mounted Basin Mixer**

Wels 4 Star 6L/min
Brushed Nickel
DZR Brass
Hot and cold indicators
10 year warranty

CODE: FWP8303SBN

**Square Shower Mixer**

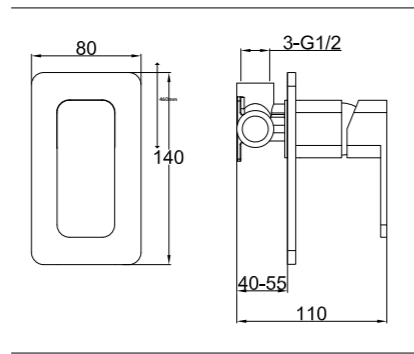
Brushed Nickel
DZR Brass
Hot and cold indicators
10 year warranty

PRODUCT

TECHNICAL DRAWING

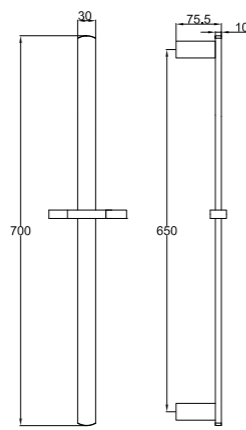
SPECIFICATIONS

CODE: FWP8303BN

**Standard Shower Mixer**

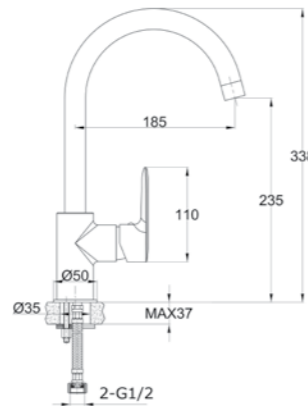
Brushed Nickel
DZR Brass
Hot and cold indicators
10 year warranty

CODE: FWP9516BN

**Slide Shower with 3 Spray Function Handshower**

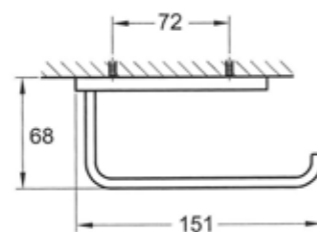
Wels 4 Star 6.5L/min
Brushed Nickel
DZR Brass
5 year Metal rail and slider
10 year warranty
excluding hose and hand piece

CODE: FWP86214BN

**Gooseneck Kitchen Mixer**

Wels 5 star 5.8L/min
Brushed Nickel
DZR Brass
Hot and cold indicators
10 year warranty

CODE: FW8921BN

**Toilet Roll Holder**

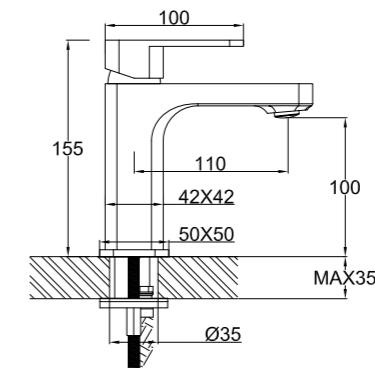
Brushed Nickel
DZR Brass

PRODUCT

TECHNICAL DRAWING

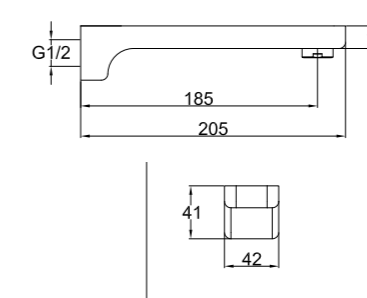
SPECIFICATIONS

CODE: FWP8228BL

**Standard Basin Mixer**

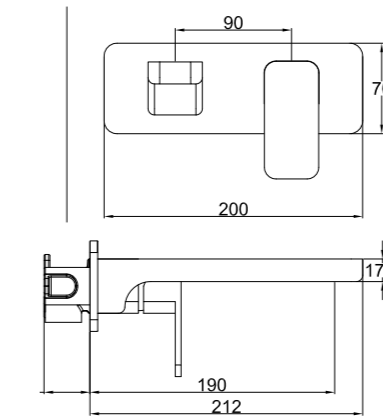
Wels 5 Star 5L/min
Satin Black
DZR Brass
10 year warranty
Hot and cold indicators

CODE: FWP08BL

**Wall Mount Bath Spout**

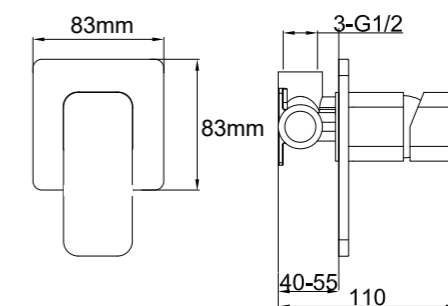
Satin Black
DZR Brass
10 year warranty

CODE: FWP8286BL

**Wall Mounted Basin Mixer**

Wels 4 Star 6L/min
Satin Black
DZR Brass
Hot and cold indicators
10 year warranty

CODE: FWP8303SBL

**Square Shower Mixer**

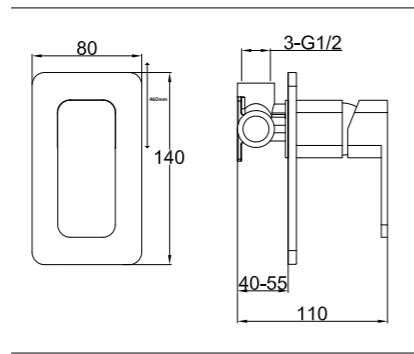
Satin Black
DZR Brass
Hot and cold indicators
10 year warranty

PRODUCT

TECHNICAL DRAWING

SPECIFICATIONS

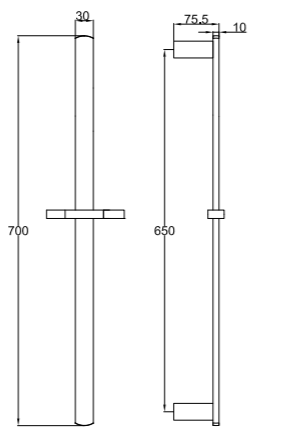
CODE: FWP8303BL



Standard Shower mixer

Satin Black
DZR Brass
Hot and cold indicators
10 year warranty

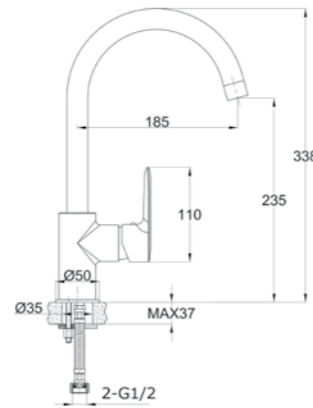
CODE: FWP9516BL



Slide Shower with 3 Spray Function Handshower

Wels 4 Star 6.5L/min
Satin Black
10 year warranty
excluding hose and hand piece

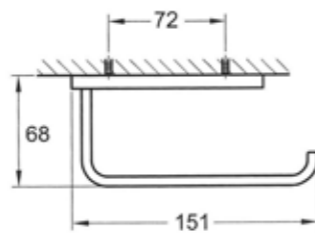
CODE: FWP86214BL



Gooseneck Kitchen Mixer

Wels 5 star 5.8L/min
Satin Black
DZR Brass
Hot and cold indicators
10 year warranty

CODE: FW8921BL



Toilet Roll Holder

Satin Black
DZR Brass





Pioneer

Commercial Tapware

The pioneer range is mains pressure tapware with classic curves. It is a cost effective range for the commercial space, offering a timeless shape without compromising on quality. The range is stainless steel construction, with PVD and Nano coating. Pioneer comes in a selection of finishes which include; brushed stainless, chrome, brushed gold, gun metal, aged copper and matt black.

SOLUTIONS FOR:

- Hotels,
- Residential
- Offices
- Public Spaces
- Hospitality

FULL COLOUR RANGE



PRODUCT	TECHNICAL DRAWING	SPECIFICATIONS
CODE: FWPI10110BS		<p>Standard Basin Mixer 6 Star 4.5L/min Stainless steel construction PVD Plating Nano-coating 10 year warranty</p>
CODE: FWPI10111BS		<p>Tall Basin Mixer Stainless steel construction PVD Plating Nano-coating 6 Star 4.5L/min 10 year warranty</p>
CODE: FWPI10170BS		<p>Wall Mounted Bath Spout Stainless steel construction PVD Plating Nano-coating 10 year warranty</p>
CODE: FWPI10152BS		<p>Wall Mount Basin Mixer Stainless steel construction PVD Plating Nano-coating 6 Star 4.5L/min 10 year warranty</p>



Luxe

Sensor Tapware

Luxe sensor tapware comes in wall or deck mounted options. Sensory tapware eliminates the need for touch, which prevents cross-contamination between use. Because they are on a timer Luxe sensor tapware saves on unnecessary water consumption. All taps have the option of being mains or battery operated. Luxe tapware has an extended colour palette of chrome, brushed gold, gun metal and matt black.

5 year warranty provides an assurance of quality for all commercial applications.

SOLUTIONS FOR:

- Hotels
- Offices
- Public Spaces
- Hospitality

PRODUCT

CODE: FWLUX93CP

TECHNICAL DRAWING



Wall Mounted Hands Free Infrared Sensor Activated

Polished stainless steel
Mains pressure only
Wels 6 Star
Mains and battery powered options included

CODE: FWLUX93BG



Wall Mounted Hands Free Infrared Sensor Activated

Brushed gold stainless steel
Mains pressure only
Wels 6 Star
Mains and battery powered options included

CODE: FWLUX93GM



Wall Mounted Hands Free Infrared Sensor Activated


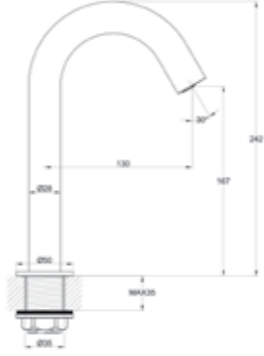

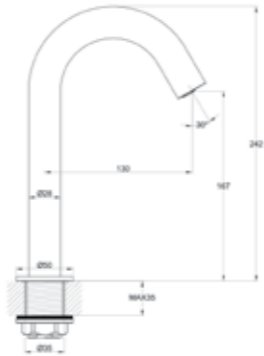

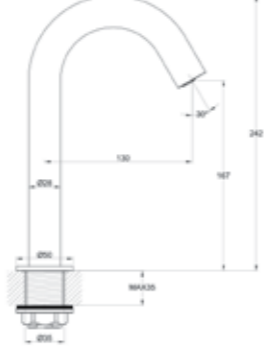

Gun metal stainless steel
Mains pressure only
Wels 6 Star
Mains and battery powered options included

CODE: FWLUX93MB



Wall Mounted Hands Free Infrared Sensor Activated

Matte black stainless steel
Mains pressure only
Wels 6 Star
Mains and battery powered options included

PRODUCT	TECHNICAL DRAWING	SPECIFICATIONS
<p>CODE: FWLUX95CP</p> 		<p>Bench Mounted Hands Free Infrared Sensor Activated Polished stainless steel Mains pressure only Wels 6 Star Mains and battery powered options included</p>
<p>CODE: FWLUX95BG</p> 		<p>Bench Mounted Hands Free Infrared Sensor Activated Brushed gold stainless steel Mains pressure only Wels 6 Star Mains and battery powered options included</p>
<p>CODE: FWLUX95GM</p> 		<p>Bench Mounted Hands Free Infrared Sensor Activated Gun metal stainless steel Mains pressure only Wels 6 Star Mains and battery powered options included</p>
<p>CODE: FWLUX95MB</p> 		<p>Bench Mounted Hands Free Infrared Sensor Activated Matte black stainless steel Mains pressure only Wels 6 Star Mains and battery powered options included</p>





MODSpec Basins

Commercial Bathroomware

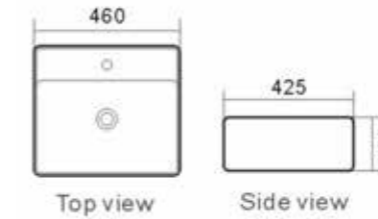
Waterware and our manufacturing partners have combined to create a range of stylish, versatile and durable basins suitable for any commercial project. The basins have gloss glazing, clean lines and contemporary design which are accompanied with a selection of shapes and sizes to suit any bathroom layout.

SOLUTIONS FOR:

- Offices
- Public Spaces
- Education
- Accessible

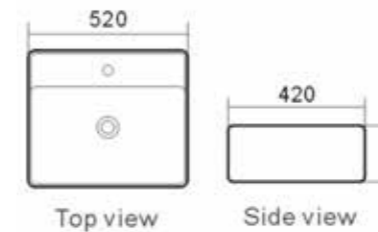
PRODUCT	TECHNICAL DRAWING	SPECIFICATIONS
---------	-------------------	----------------

CODE: WDHY2066



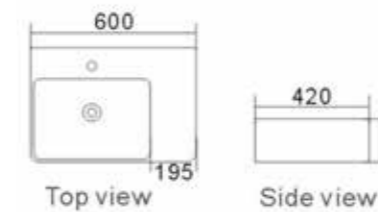
Vitreous Counter Top/Wall Hung Basin
 • Overflow
 • 460 x 425 x 155

CODE: WDHY2082



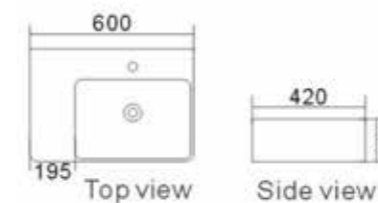
Vitreous Counter Top/Wall Hung Basin
 • Overflow
 • 520 x 420 x 155

CODE: WDHY2077L



Vitreous Counter Top/Wall Hung Basin
 • Overflow
 • 600 x 420 x 125

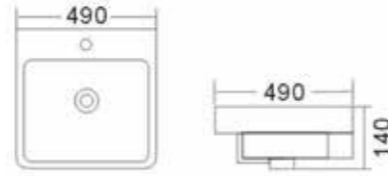
CODE: WDHY2077R



Vitreous Counter Top/Wall Hung Basin
 • Overflow
 • 600 x 420 x 125

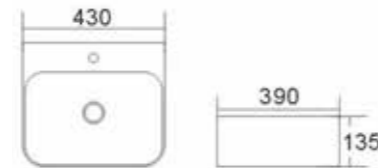
PRODUCT	TECHNICAL DRAWING	SPECIFICATIONS
---------	-------------------	----------------

CODE: WDHY6044



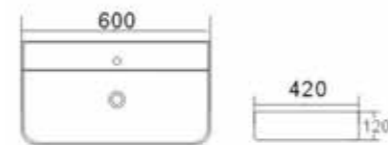
Vitreous Semi-Recessed Counter Basin
 • 490 x 490 x 140

CODE: WDHY7012



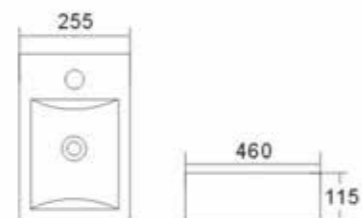
Vitreous Counter Top/Wall Hung Basin
 • No overflow
 • 430 x 390 x 135
 Compliant NZS4121, Accessible

CODE: WDHY8032



Vitreous Counter Top/Wall Hung Basin
 • No overflow
 • 600 x 420 x 120

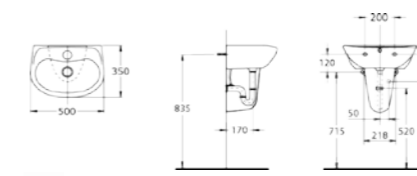
CODE: WDHY8039



Vitreous Counter Top/Wall Hung Basin
 • no overflow
 • 460 x 255 x 115
 Left or right mounting options:
 WDHY8039L
 WDHY8039R

PRODUCT	TECHNICAL DRAWING	SPECIFICATIONS
---------	-------------------	----------------

CODE: PWTOTSINSPWH



Vitreous Wall Hung Basin and Shroud
 • overflow
 • Compliant NZS4121 Accessible





Hospital Healthcare Commercial

Sanitaryware

Waterware and Gentec Australia have developed a range of specialized sanitaryware for the healthcare sector and commercial projects

These products incorporate innovation and design to create stylish products and better user experiences.


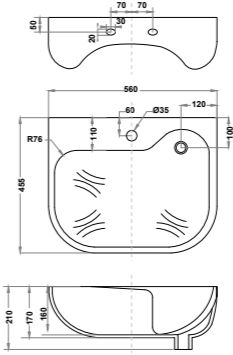

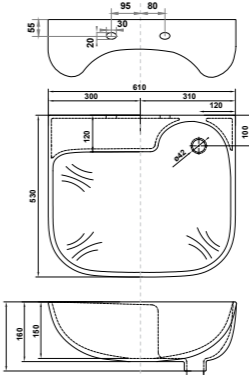

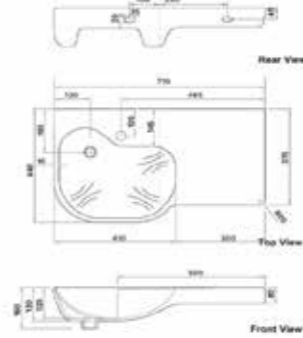

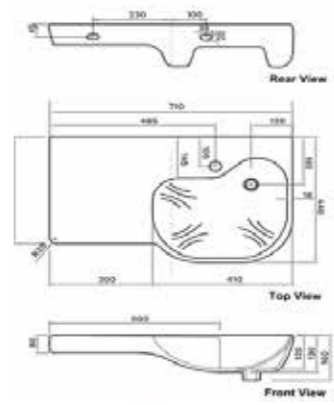
Gentecs anti microbial glazing and off set basin wastes reduces bacteria spread and improves hygiene, critical in hospital environments.

Australian Standards on all products provides reassurance of the product quality and durability, and this results in extended product life.

Products carry warranties of up to 10 years.

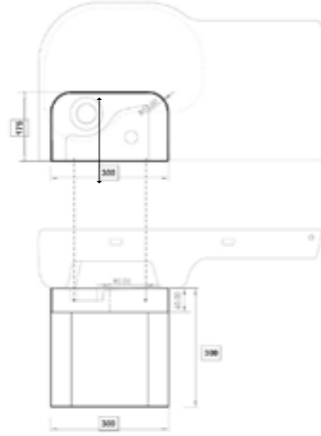
SOLUTIONS FOR:

- Hospitals and Healthcare
- Offices
- Public Spaces
- Hospitality
- Accessible

PRODUCT	TECHNICAL DRAWING	SPECIFICATIONS
<p>CODE: GTSANH560B</p>  <p>GENTEC</p>		<p>Sterisan Anti Microbial 560mm Clinical Basin Type B</p> <ul style="list-style-type: none"> • No Tap Hole <p>GTSANH560BT - Tap Hole</p> <p>Ø32mm Chrome Plug and Waste included 150kg rating</p>
<p>CODE: GTSANH610B</p>  <p>GENTEC</p>		<p>Sterisan Anti Microbial 610mm Surgical Basin Type A</p> <ul style="list-style-type: none"> • No Tap Hole <p>GTSANH610BT - Tap Hole</p> <p>Ø32mm Chrome Plug and Waste included 150kg rating</p>
<p>CODE: GTSANH715BRT</p>  <p>GENTEC</p>		<p>Sterisan Anti Microbial Wall Basin Right Shelf incl Tap Hole</p> <p>GTSANH715BR - No Tap Hole</p> <p>150kg rating 32mm plug & waste included</p>
<p>CODE: GTSANH715BLT</p>  <p>GENTEC</p>		<p>Sterisan Anti Microbial Wall Basin Left Shelf incl Tap Hole</p> <p>GTSANH715BL - No Tap Hole</p> <p>150kg rating 32mm plug & waste included</p>

PRODUCT	TECHNICAL DRAWING	SPECIFICATIONS
---------	-------------------	----------------

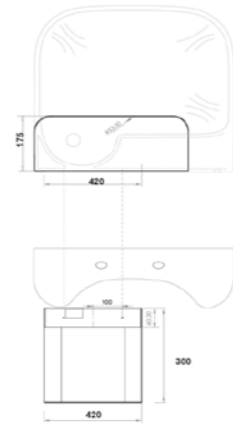
CODE: GTSAN9013



Basin Shroud for GTSANH715BR/BL/
BRT/BLT
Zinc (powder coated) white



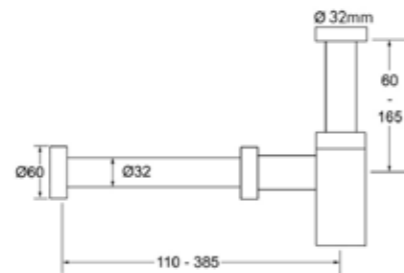
CODE: GTSAN9014



Basin Shroud for GTSANH560BT/B &
GTSANH610BT/B
• Zinc (powder coated) white



CODE: FW9235



Basin Trap Chrome Brass 32mm
GTSAN9001 40mm chrome brass
Multiple Colour finishes, scan QR code
to see full range



CODE: GTGSB32



Grate Seal and Polished 316 Stainless
Steel Waste 32mm

GTGSB32V Replacement grate seal

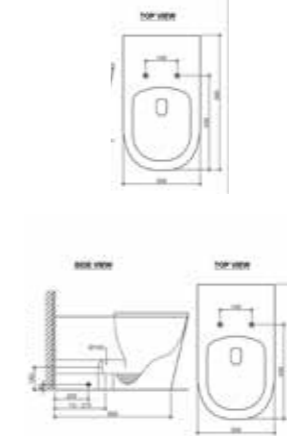
GTGSB40 Grate seal and polished
316 stainless steel waste,
40mm

GTGSB40V Replacement grate seal



PRODUCT	TECHNICAL DRAWING	SPECIFICATIONS
---------	-------------------	----------------

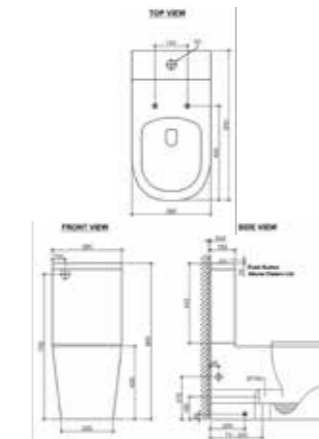
CODE: WDHY3368



Accessible BTW Pan
Single flap seat (blue)
Watermark Approved
Wels 4 star 3 /4.5litre flush
Rimless Pan P/S
Note: pan 800mm off finished wall
Compliant AS1428.1 / NZS4121
Other colour seats available



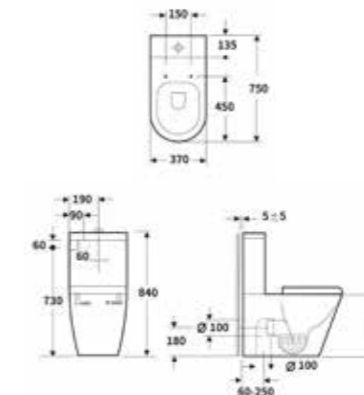
CODE: WDHY6098



Accessible BTW Toilet Suite
Raised button set
Single flap seat (blue)
Watermark Approved
Wels 4 star 3 /4.5litre flush
Rimless Pan P/S
Note: pan 800mm off finished wall
Compliant AS1428.1 / NZS4121
Other colour seats available



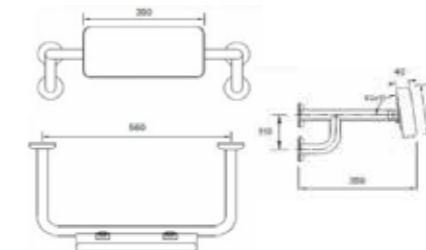
CODE: WDA6018



Accessible BTW Toilet Suite
Raised button set
Single flap seat (white)
Compliant NZS4121
'Rimless' Pan P/S
Watermark Approved
Wels 4 Star3/ 4.5 Litre flush
Other colour seats available



CODE: WDMSBR01



Modspec Backrest
Padded back rest for use with back to
wall accessible toilet and pan.
32mm polished stainless steel brackets

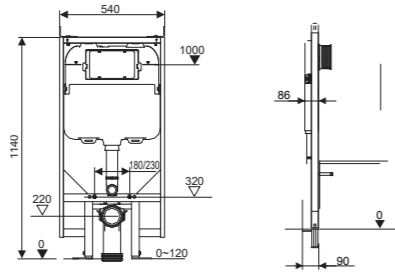


PRODUCT

TECHNICAL DRAWING

SPECIFICATIONS

CODE: KI1001FF

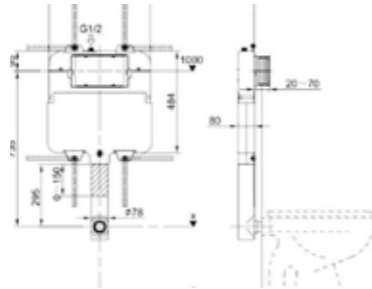


Waterware In Wall Cistern and Frame

- Frame rated 400kg
- Front Servicing
- Pneumatic flushing mechanism
- HDPE in wall cistern
- Watermark Approved
- Wels 4 star 3/4.5 litre flush

WATERWARE

CODE: KI1001FL



Waterware In Wall Cistern Only

- Front servicing
- Pneumatic flushing mechanism
- HDPE in-wall cistern
- Watermark Approved
- Wels 4 star 3/4.5 litre flush

WATERWARE

CODE: KI5020CP



Waterware Push Panel Chrome

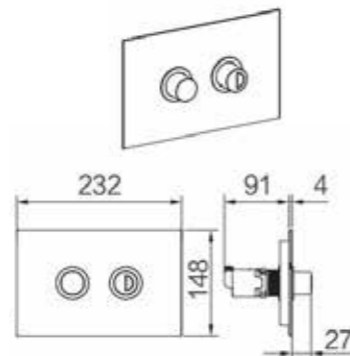
- Wels 4 star 3/4.5 litre flush
- ABS Construction
- Pneumatic flushing mechanism
- Watermark Approved

Finishes Available

- KI5020BN Brushed Nickel
- KI5020MB Matt Black
- KI5020GM Gun metal
- KI5020BG Brushed gold
- KI5020MW Matt White

WATERWARE

CODE: KI5230BN



Waterware Stainless Steel Satin Faceplate

- Raised buttons
- Pneumatic flushing mechanism
- Wels 4 star 3/4.5 litre flush
- Watermark Approved

WATERWARE

PRODUCT

TECHNICAL DRAWING

SPECIFICATIONS

CODE: KI5220BN



Waterware Stainless Steel Satin Faceplate

- Standard buttons
- Pneumatic flushing mechanism
- Wels 4 star 3/4.5 litre flush
- Watermark Approved

WATERWARE

CODE: HST5502MQB



Waterware Sensor Glass Panel

- Front servicing
- Power 240/6 V AC
- Pneumatic flushing mechanism
- Wel 4 star 3/4.5 litre flush
- Watermark Approved

Finishes

- HST5502MQW Matt White
- HST5502MQB Matt Black

WATERWARE

CODE: GTPLUS7000

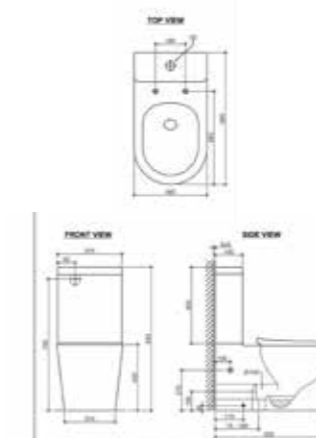


WC Sensor Dual Flush Valve

- Matt Stainless steel faceplate Main pressure (min pressure 300Kpa/Min pipe size 25mm id)
- 240v/12v
- Hygiene flush
- Wels 3/4.5 litre flush
- Watermark Approved

GENTEC

CODE: WDHY6088



BTW Comfort Height Toilet Suite

- Resin Slim seat
- Stainless hinges quick release
- P/S
- Wels 4 Star 3 / 4.5 litre flush
- Rimless Pan
- Watermark Approved

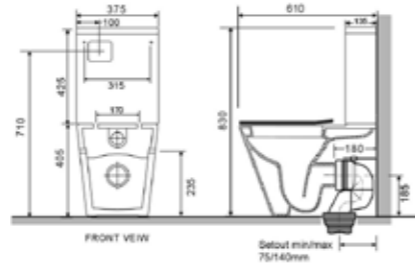
WATERWARE

PRODUCT

TECHNICAL DRAWING

SPECIFICATIONS

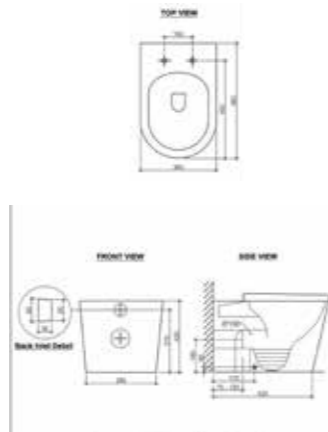
CODE: WDVV150T



- BTW Toilet Suite
- Compact 610mm
 - Rimless Pan
 - Resin seat
 - Quick release soft close, stainless steel hinge
 - P/S
 - WELS: 4 star 3/4.5L flush
 - Watermark Approved
 - **WDVV150S** - Slim Seat Option

WATERWARE

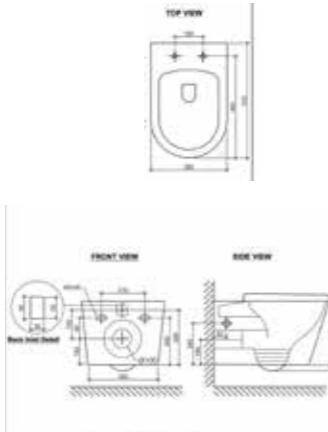
CODE: WDHY3380



- BTW WC Pan
- Compact 560mm
- Rimless Pan
 - Resin seat quick release, soft close, stainless steel hinges
 - P/S
 - WELS 4 star 3/4.5 litre flush
 - Watermark Approved

WATERWARE

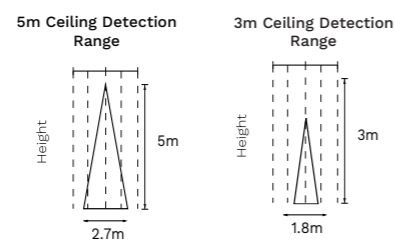
CODE: WDHY2380



- Vivo Wall Hung pan
- Rimless Pan
 - Resin seat quick release, soft close, stainless steel hinges
 - WELS 4 star 3/4.5 litre flush
 - Watermark Approved

WATERWARE

CODE: GTPPLUS6000



- Electronic Ceiling Flush Mounted Infrared Urinal Sensor
- 12V/AC
 - Ceiling installation only
 - Flush time adjustable.
 - Automatic hygiene flush
 - Wels 5 Star, 0.9 Lpm





Smartec

Electronic Infrared Tapware

The electronic Smartec range incorporates design and durability to fit any commercial installation.

The Smartec range can be programmed to suit specific time and functionality with either mains or battery options.

Hygiene flush feature prevents stagnant water and legionella risk.

Laminar flow outlets are available to reduce water splash and colour finishes are available by special order to match interior finishes.

Standardised componentry across all models provides simple and easy maintenance and reduces the lifetime cost.

Australia Watermark standard and 5 year warranty is an assurance of product quality.

SOLUTIONS FOR:

- Public spaces
- Offices
- Hotels
- Hospitality



CONFIGURATIONS

- Basin Mounted
- Wall Mounted
- Soap Dispenser
- Mains and/or Battery Powered

WATER PRESSURE

Minimum 150kpa
Optimum 250 to 350kpa
Maximum 450kpa

TEMPERATURE

Minimum 10°C
Maximum 50°C

FINISH

Chrome Plated
Colour options available by special order

- Outlets
- Aerator
- Laminar

STANDARD / COMPLIANCES

Install Gentec products in confidence. Our products are tested and certified to AS/NZ 3718, AS/NZ 4020 and WELS

The nominal flow might be different from the actual flow



WARRANTY

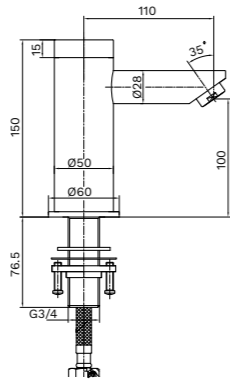
Our standard warranty terms and conditions for this range is 5 years. For further information, please refer to our standard warranty terms and conditions of sale.

INSTALLATION

Product must be installed in accordance with manufacturer's recommendations and to AS/NZ3500. It is recommended that a strainer is installed prior to the installation of this product and pressure does not exceed the manufacturer's recommendations.

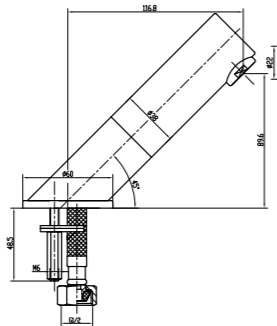
PRODUCT	TECHNICAL DRAWING	SPECIFICATIONS
---------	-------------------	----------------

CODE: GTSTS1000BM



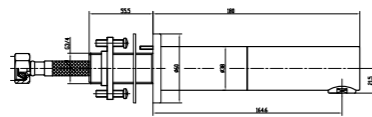
Electronic Single Temperature
Bench Mounted Basin Tap Chrome
Wels 6 Star 6lpm
GTSTS1000BM Mains and Battery
GTSTS1000M Mains Powered
GTSTS1000B Battery Powered

CODE: GTSTS1500BM



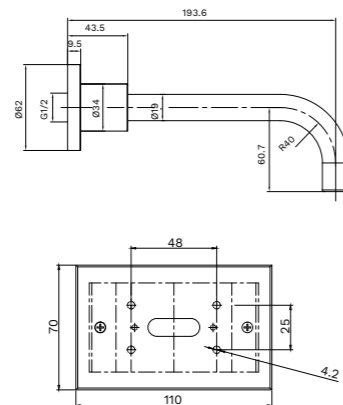
Electronic Single Temperature
Angled Bench Mounted Basin Tap
Chrome
Wels 6 Star 6lpm
GTSTS1500BM Mains and Battery
GTSTS1500M Mains Powered
GTSTS1500B Battery Powered

CODE: GTSTS2500BM



Electronic Single Temperature
Wall Mounted Tap Chrome
Wels 6 Star 6lpm
GTSTS2500BM Mains and Battery
GTSTS2500M Mains Powered
GTSTS2500B Battery Powered

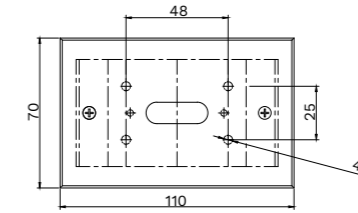
CODE: GTSTS3000BM



Electronic Single Temperature
Wall Mounted Sensor Kit with
Spout
Stainless steel satin finish faceplate
Wels 6 Star 6lpm
GTSTS3000BM Mains and Battery
GTSTS3000M Mains Powered
GTSTS3000B Battery Powered
Other spout options available

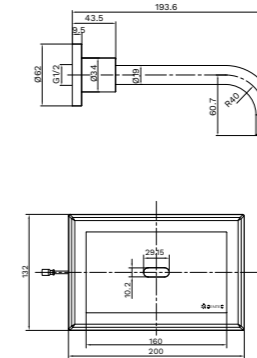
PRODUCT	TECHNICAL DRAWING	SPECIFICATIONS
---------	-------------------	----------------

CODE: GTSTS3500BM



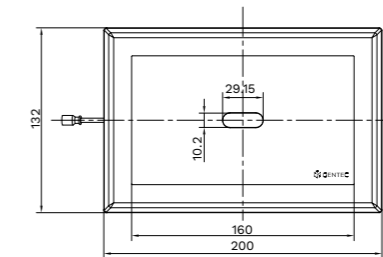
Electronic Single Temperature
Wall Mounted Sensor
Stainless steel satin finish faceplate
Wels 6 Star 6lpm
GTSTS3500BM Mains and Battery
GTSTS3500M Mains Powered
GTSTS3500B Battery Powered

CODE: GTSTS4000BM



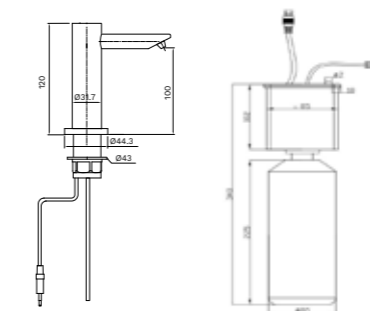
Electronic Single Temperature Wall
Mounted Sensor Magnetic Faceplate
Concealed Fixings
Stainless steel satin finish faceplate
Solenoid/power located behind
faceplate for convenient servicing
Wels 6 Star 6lpm
GTSTS4000BM Mains and Battery
GTSTS4000M Mains Powered
GTSTS4000B Battery Powered
Other spout options available

CODE: GTSTS4500BM



Electronic Single Temperature Wall
Mounted Sensor.
Concealed fixings.
Stainless steel satin finish faceplate
Solenoid/power located behind face-
plate for convenience
Wels 6 Star 6lpm
GTSTS4500BM Mains and Battery
Powered
GTSTS4500M Mains Powered
GTSTS4500B Battery Powered

CODE: GTSTS1020M



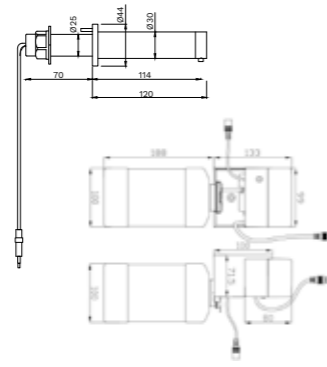
Bench Mounted Soap Dispenser
Chrome
Mains Powered only
Soap suggested viscosity
1800 MPa.s (CP)

PRODUCT

TECHNICAL DRAWING

SPECIFICATIONS

CODE: GTSTS2520M



Wall Mounted Soap Dispenser
Chrome

Mains Powered Only

Soap suggested viscosity
1800 MPa.s (CP)





Smartec Plus

Electronic Laser Stainless Steel Tapware

The Smartec Plus range has been designed and manufactured to deliver the very highest performance and operation in hands free washing.

Smartec Plus is manufactured in 316 stainless steel to achieve ultimate hygiene and durability for hospitals and healthcare environments. Polished stainless steel is the finish of choice in healthcare to minimize bacteria buildup.

The Smartec Plus laser sensor technology is unique and prevents nuisance triggering from reflected light and identifies all skin tones.

Stainless steel is lead free which is an important health benefit. Stainless steel requires minimal processing which limits environmental impact.

All tapware is fitted with Laminar outlets to reduce water splash and minimise bacterial transmission.

Smooth bore and tapered spouts combined with hygiene flush provides maximum protection against legionella risk.

Australia Watermark standard and 5 year warranty provides an assurance of quality and longer product life.

SOLUTIONS FOR:

- Hospitals & Healthcare
- Hotels
- Public Spaces



CONFIGURATIONS

- Basin Mounted
- Wall Mounted
- Soap Dispenser
- Mains and/or Battery Powered

WATER PRESSURE	TEMPERATURE	FINISH
Minimum 150kpa	Minimum 10°C	Polished
Optimum 250 to 350kpa	Maximum 50°C	
Maximum 450kpa		
- Outlets		
- Aerator		
- Laminar		

STANDARD / COMPLIANCES

Install Gentec products in confidence. Our products are tested and certified to AS/NZ 3718, AS/NZ 4020 and WELS

The nominal flow might be different from the actual flow



WARRANTY

Our standard warranty terms and conditions for this range is 5 years. For further information, please refer to our standard warranty terms and conditions of sale.

INSTALLATION

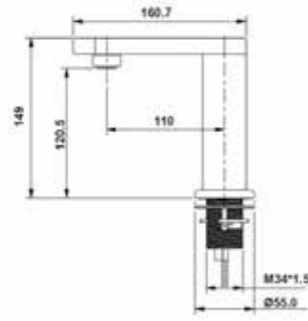
Product must be installed in accordance with manufacturer's recommendations and to AS/NZ3500. It is recommended that a strainer is installed prior to the installation of this product and pressure does not exceed the manufacturer's recommendations.

PRODUCT

TECHNICAL DRAWING

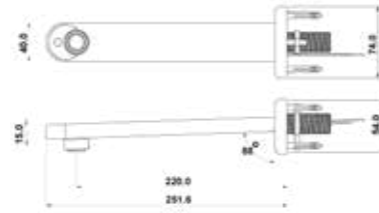
SPECIFICATIONS

CODE: GTPPLUS1000BM



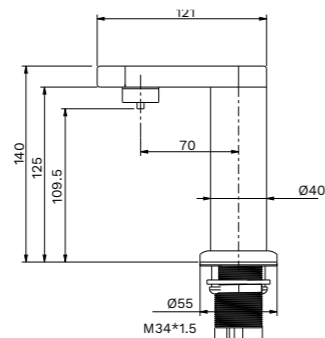
316 Polished Stainless Steel Electronic
Single Temperature Bench Mounted
Basin Tap
Wels 6 Star 6lpm
Mains and battery powered

CODE: GTPPLUS2500BM



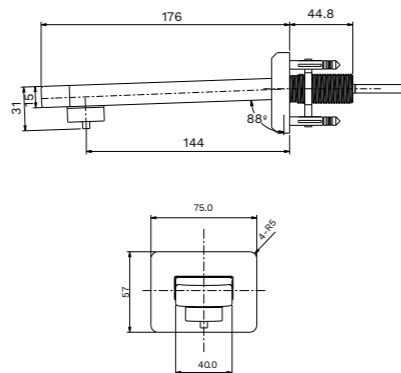
316 Polished Stainless Steel Electronic
Single Temperature Wall Mounted Tap
Wels 6 Star 6lpm
Mains and Battery Powered

CODE: GTPPLUS1020



316 Polished Stainless Steel Electronic
Single Temperature Bench Mounted Soap
Dispenser
Mains Powered Only
Soap Suggested Viscosity:
1800MPa.s (cP)

CODE: GTPPLUS2520



316 Polished Stainless Steel Electronic
Single Wall Mounted Soap Dispenser
Mains Powered Only
Soap Suggested Viscosity:
1800MPa.s (cP)





GPure

304 Stainless Steel Tapware

GPure is Gentecs range of stainless steel tapware for hospital and commercial application. Manufactured in polished 304 stainless steel to deliver the most hygienic and hardwearing surface possible.

Stainless steel resists abrasion from cleaning and reduces bacteria buildup.

Stainless steel is also lead free providing the highest water quality possible and improved health.

Gpure is supplied with laminar aerators to limit splashing and possible contamination.

Gpure uses soft close cartridge technology to provide extended life and quiet operation.

SOLUTIONS FOR:

- Hospital, Healthcare, Aged Care & Accessibility
- Food Preparation
- Hotels
- Marine Environments



CONFIGURATIONS

- Standard

- Care

WATER PRESSURE

Minimum 150kpa
Optimum 250 to 350kpa
Maximum 450kpa

- Outlets
- Aerator
- Laminar

TEMPERATURE

Minimum 10°C
Maximum 70°C

FINISH

Polished stainless steel

STANDARD / COMPLIANCES

Install Gentec products in confidence.
Our products are tested and certified to AS/NZ 3718, AS/NZ 4020 and WELS

The nominal flow might be different from the actual flow



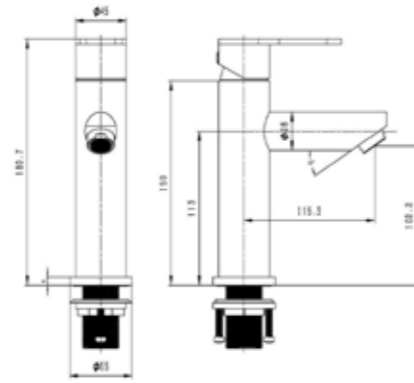
WARRANTY

Our standard warranty terms and conditions for this range is 5 years. For further information, please refer to our standard warranty terms and conditions of sale.

INSTALLATION

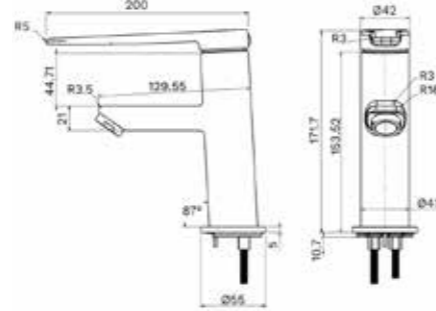
Product must be installed in accordance with manufacturer's recommendations and to AS/NZ3500. It is recommended that a strainer is installed prior to the installation of this product and pressure does not exceed the manufacturer's recommendations.

PRODUCT	TECHNICAL DRAWING	SPECIFICATIONS
CODE: GTGPR1000		



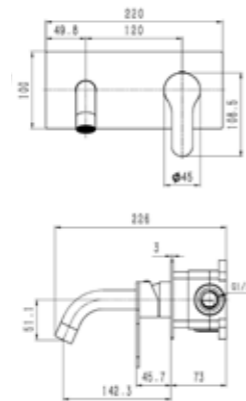
Single Lever Basin Mixer
 Polished Stainless Steel
 Wels 5 Star 5.5lpm
 Soft close
 Laminar outlet

CODE: GTGPN2000D		
------------------	--	--



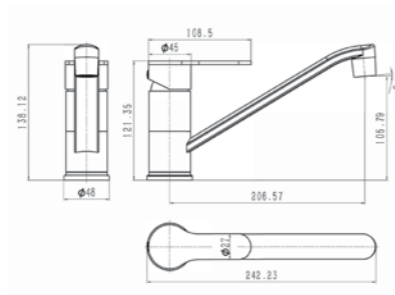
Single Lever Accessible Care Basin Mixer
 Polished Stainless Steel
 Wels 6 Star 3.5lpm
 Laminar outlet

CODE: GTGPR3800		
-----------------	--	--



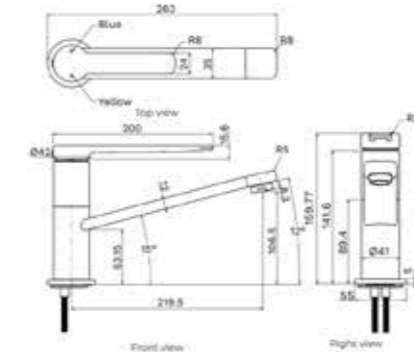
Wall Basin Set
 Polished Stainless Steel
 Wels 4 Star 7.5lpm
 Soft close
 Laminar outlet

CODE: GTGPR3500		
-----------------	--	--



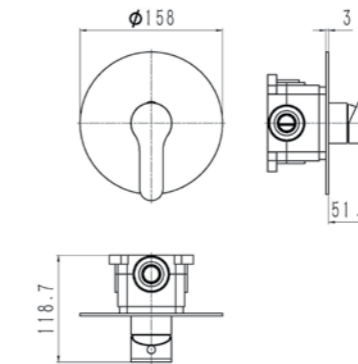
Single Lever Low Line Sink Mixer
 Polished Stainless Steel
 Wels 4 Star 7.5lpm
 Soft close
 Laminar outlet

PRODUCT	TECHNICAL DRAWING	SPECIFICATIONS
CODE: GPGPN3500D		



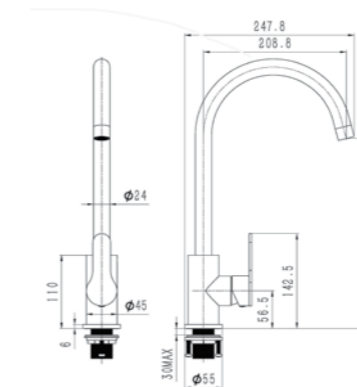
Single Lever Accessible Care Low Line Sink Mixer
 Polished Stainless Steel
 Wels 4 Star 7.5lpm
 Soft close
 Laminar outlet

CODE: GTGPR4000		
-----------------	--	--



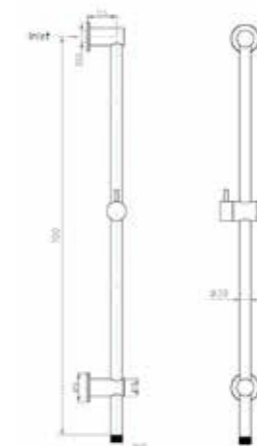
Single Lever Shower Mixer
 Polished Stainless Steel
 Soft close

CODE: GTGPR3000		
-----------------	--	--



Single Lever Sink Mixer
 Polished Stainless Steel
 Wels 4 Star 7.5lpm
 Soft close
 Laminar outlet

CODE: FWP11091CP		
------------------	--	--



3 Function Slide Shower
 Polished Stainless Steel
 Stainless steel rail, end posts and slider for long term durability.
 Wels 3 Star 9.0lpm min
 ABS handpiece
 1.5m Hose
 Other flow rates available



Flostop

Time Flow Tapware

Gentec FloStop self closing taps are the perfect combination of design, durability and water efficiency for all commercial projects.

FloStop cartridges are unique with a soft opening and closing activation providing ease of use for children and less able bodied.

Anti vandal fixings and tap design ensures FloStop is ideal for educational and public spaces, combined with a cartridge design which is universal delivering ease of maintenance and lower cost.

Australian Watermark Approval provides assurance of quality, extended life and lower cost.

Flostop taps are Wels rated.

SOLUTIONS FOR:

- Public Facilities
- Sports Facilities
- Schools



CONFIGURATIONS

OPTIONS

- Bench or Wall Mounted

- Knee or Foot Operated
- Concealed

- Care
- Single and Mixed Temperature

WATER PRESSURE

Minimum 150kpa
Maximum 250kpa 350kpa
Maximum 450kpa

TEMPERATURE

Minimum 10°C
Maximum 50°C

BUTTON INDICATORS

Red - Hot
Blue - Cold
Yellow - Warm

FINISH

Chrome Plated
316 polished Stainless steel

STANDARD / COMPLIANCES

Install Gentec products in confidence. Our products are tested and certified to AS/NZ3718, Wels, AS/NZ4020

The nominal flow might be different from the actual flow



WARRANTY

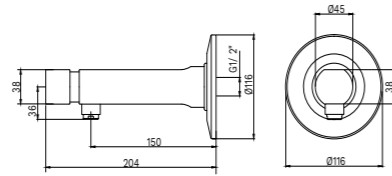
Our standard warranty terms and conditions for this range is 3 years. For further information, please refer to our standard warranty terms and conditions of sale.

INSTALLATION

Product must be installed in accordance with manufacturer's recommendations and to AS/NZ3500. It is recommended that a strainer is installed prior to the installation of this product and pressure does not exceed the manufacturer's recommendations.

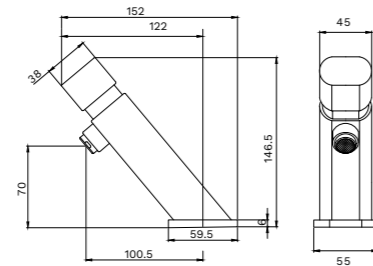
PRODUCT	TECHNICAL DRAWING	SPECIFICATIONS
---------	-------------------	----------------

CODE: GTTFT7000W



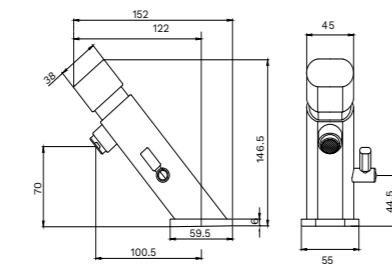
Time Flow Single Temperature Wall Mounted Tap Chrome
 Wels 6 Star 3.5lpm.
 Standard run time : 4 - 6 seconds
GTTFT7000 Time flow single temperature, wall mounted tap polished stainless steel
 Wels 6 Star 3.5lpm

CODE: GTTFT7500



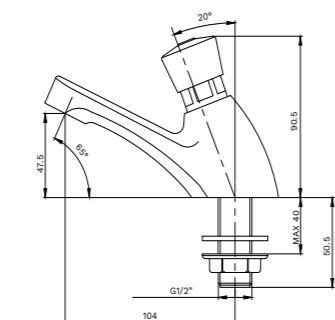
Time Flow Single Temperature Bench Mounted 60° Tap Chrome
 Wels 6 Star 3.5lpm
 Standard run time : 4 - 6 seconds

CODE: GTTFT7600



Time Flow Hot & Cold 60° Bench Mounted 60° Tap Chrome
 Wels 6 Star 3.5lpm
 Standard run time : 4 - 6 seconds

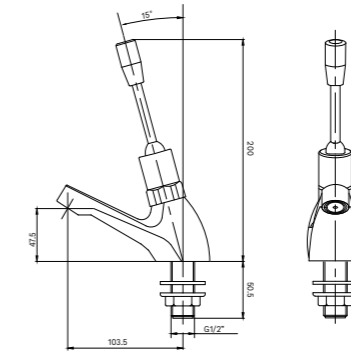
CODE: GTTFT1500



Time Flow Single Temperature Pillar Tap Chrome
 Wels 6 Star 3.5lpm
 Standard run time : 4 - 6 seconds

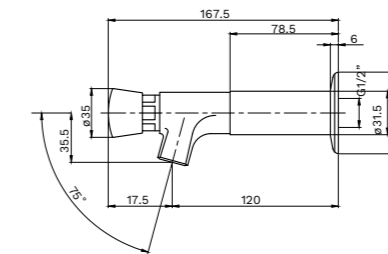
PRODUCT	TECHNICAL DRAWING	SPECIFICATIONS
---------	-------------------	----------------

CODE: GTTFT4500



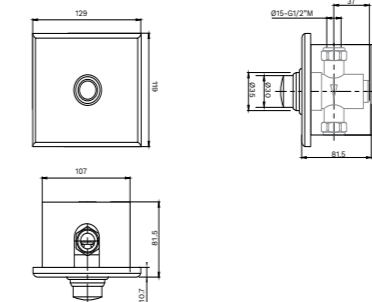
Time Flow Single Temperature Lever Pillar Tap Chrome
 Wels 6 Star 3.5lpm
 Standard run time : 4 - 6 seconds

CODE: GTTFT1000W



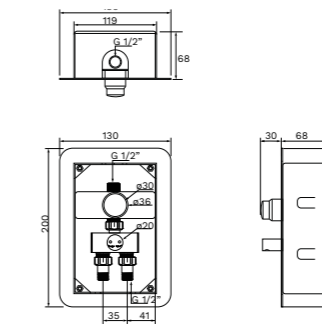
Time Flow Single Temperature Wall Mounted Tap Chrome
 Wels 6 Star 3.5lpm
 Standard run time : 4 - 6 seconds

CODE: GTTFT1015KIT



Time Flow Single Temperature Straight Shower/Urinal Valve Concealed Chrome
GTTFT1015KIT Shower Run time 40 seconds
GTTFT1015KITU Urinal Run time 10 seconds

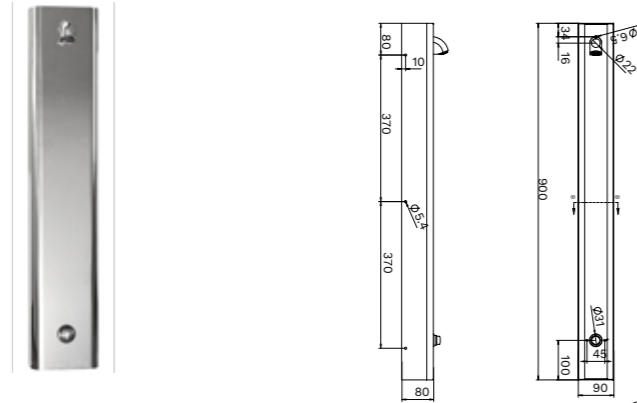
CODE: GTTFT1016KIT



Time Flow Straight Shower Mixer Control Concealed Chrome
 Standard run time: 0-25 seconds

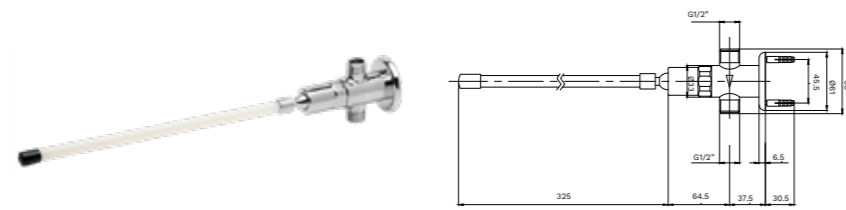
PRODUCT TECHNICAL DRAWING SPECIFICATIONS

CODE: GTTFT4000



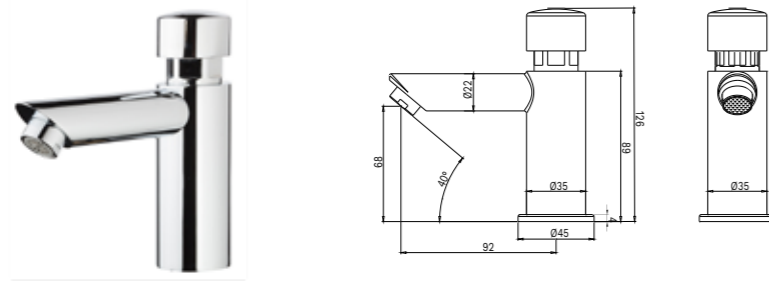
Time Flow Single Temperature Shower Panel with Adjustable Shower Head
Polished Stainless Steel
Wels 6 Star 3.5lpm
Runtime 40 seconds

CODE: GTTFT3500



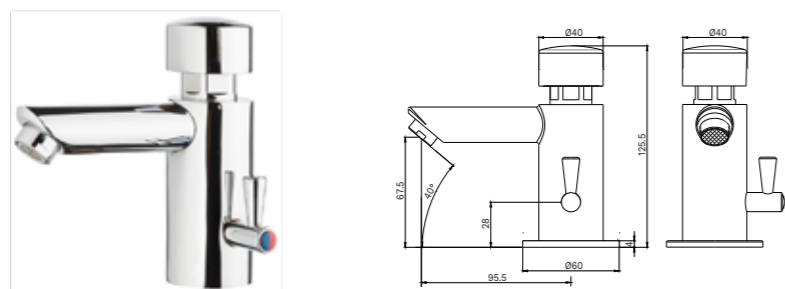
Time Flow Single Temperature Knee Operated Tap Chrome
Standard run time : 12 - 16 seconds

CODE: GTTFT2000



Time Flow Single Temperature 90° Pillar Tap Chrome
Wels 6 Star 4lpm
Standard run time : 4 - 6 seconds

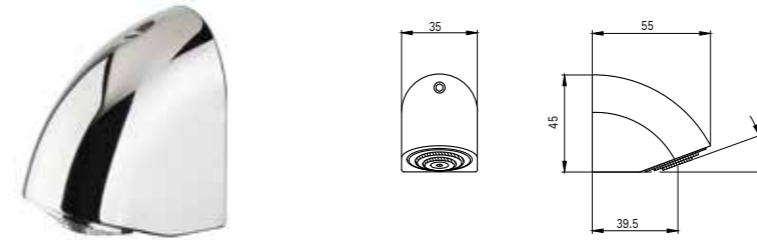
CODE: GTTFT2500



Time Flow Mixed Temperature Pillar Tap Chrome
Wels 6 Star 3.5lpm
Standard run time : 4 - 6 seconds

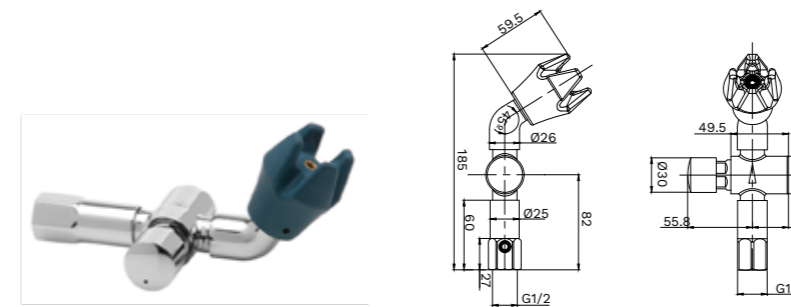
PRODUCT TECHNICAL DRAWING SPECIFICATIONS

CODE: GTTFT6000



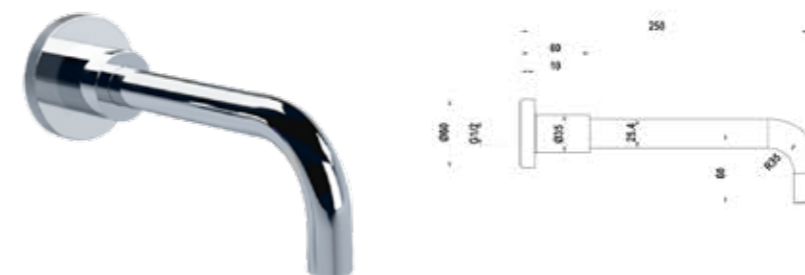
Anti Vandal Shower Head with Fixed Spray Chrome
Wels 4 Star 6lpm

CODE: GTTFT8050



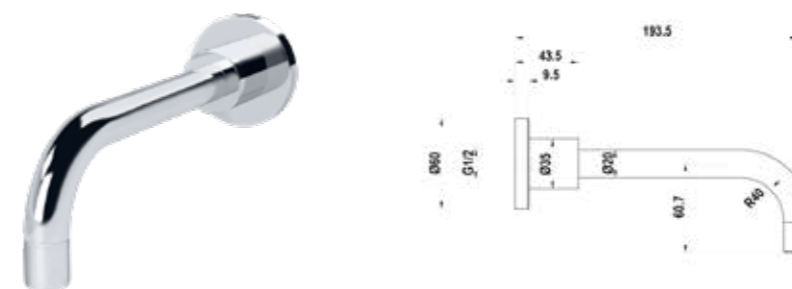
Time Flow 45° Bubbler with Protective Bubbler Guard Chrome
Wels 6 Star 3.5lpm
FLOW HEIGHT ADJUSTABLE
GTGPT8050: Stainless steel

CODE: GTS4000



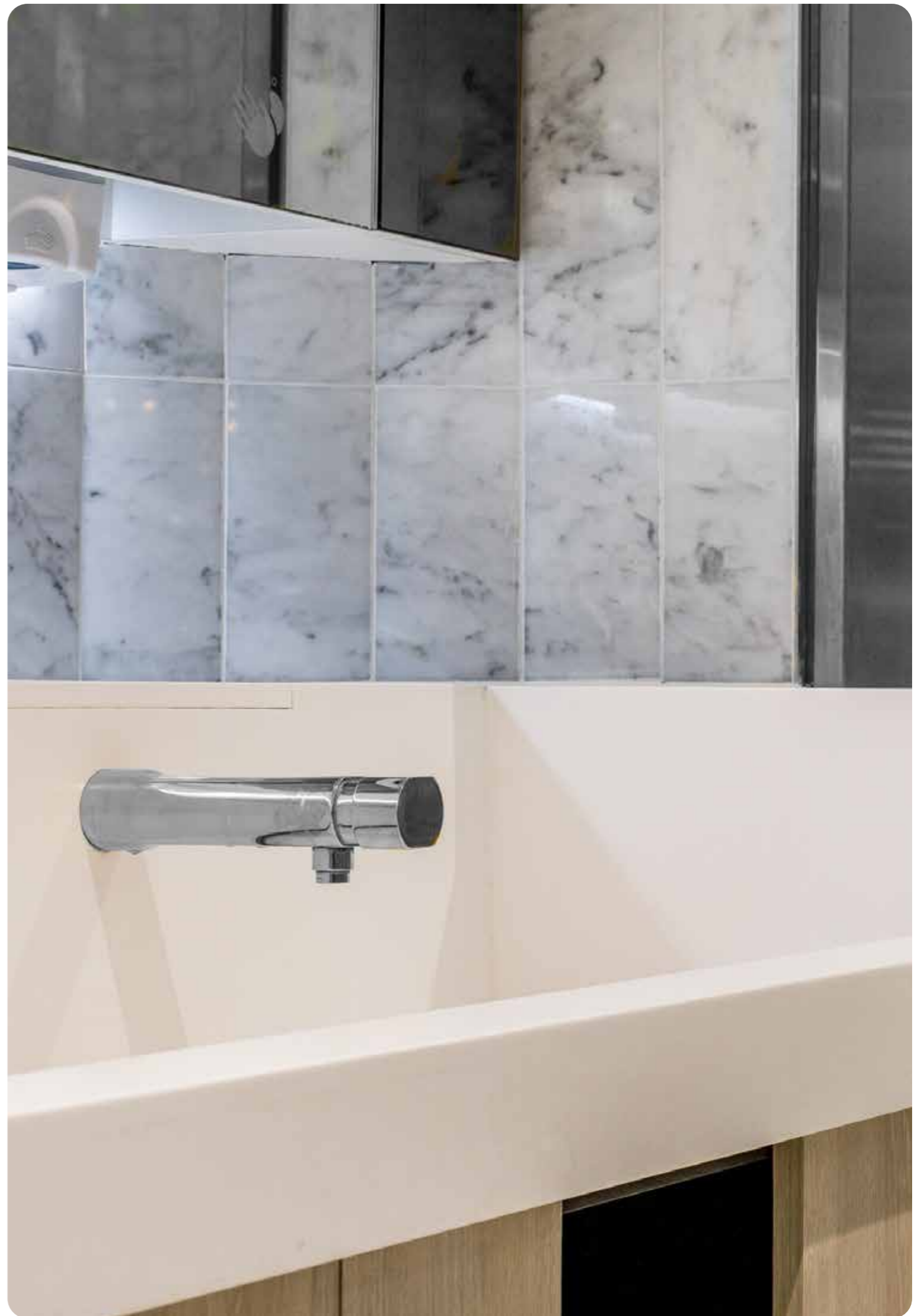
250mm Fixed Wall Mounted Basin Spout Chrome
Wels 5 Star 5.5lpm

CODE: GTS3000



192mm Fixed Wall Mounted Basin Spout Chrome
Wel 5 Star, 5.5lpm

PRODUCT	TECHNICAL DRAWING	SPECIFICATIONS
<p>CODE: GTS1500</p> 		<p>165mm Bench Mounted Swivel Basin Spout Chrome Wels 5 Star, 5.5lpm</p>
<p>CODE: GTS6000</p> 		<p>208.5 mm Fixed Wall Mounted Spout Chrome Wels 5 Star, 5.5 lpm</p>
<p>CODE: GTS2000</p> 		<p>200mm Swivel Bench Mounted Basin Spout Chrome Wels 3 Star, 8.5lpm</p>





Cleanline

Lever Tapware

The Cleanline range has been designed to meet the special needs of the hospital and healthcare sector. The design delivers functionality and ease of use while minimising bacterial build up and improving hygiene.

Ceramic cartridges and DZR brass construction provides durability for heavy duty environments.

Laminar outlets minimise aerosoling and contamination.

Australian Watermark standard confirms compliance for all hospital applications, and provides a 5 year commercial warranty.

SOLUTIONS FOR:

- Hospitals
- Aged Care Facilities
- Medical



CONFIGURATIONS

- Bench or Wall Mounted

WATER PRESSURE

- Minimum 50kpa
- Optimum 250 to 350 kpa
- Maximum 450kpa

TEMPERATURE

- Minimum 10°C
- Maximum 65°C

BUTTON INDICATORS

- Red - Hot
- Blue - Cold

FINISH

- Chrome Plated

- Outlets

- Laminar Aerator

STANDARD / COMPLIANCES

Install Gentec products in confidence. Our products are tested and certified to AS/NZ 3718, AS/NZ 4020 and WELS



The nominal flow might be different from the actual flow

WARRANTY

Our standard warranty terms and conditions for this range is 5 years. For further information, please refer to our standard warranty terms and conditions of sale.

INSTALLATION

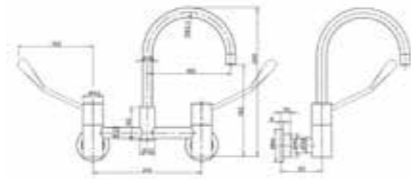
Product must be installed in accordance with manufacturer's recommendations and to AS/NZ3500. It is recommended that a strainer is installed prior to the installation of this product and pressure does not exceed the manufacturer's recommendations.

PRODUCT

TECHNICAL DRAWING

SPECIFICATIONS

CODE: GTCL15010



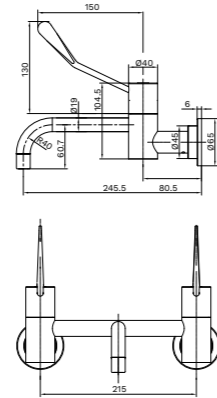
Wall Mounted Exposed Mixing Set with 165mm Curved Swivel Spout and 150mm Lever Handles Chrome

Wels 4 Star 7.5lpm

GTCL10010

100mm Lever Handle

CODE: GTCL15012



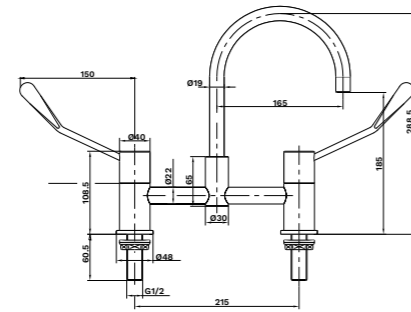
Wall Mounted Exposed Mixing Set with 165mm Fixed Parallel Spout and 150mm Lever Handles Chrome

Wels 5 Star 5.5lpm

GTCL10012

100mm Lever Handle

CODE: GTCL15015



Bench Mounted Exposed Mixing Set with 150mm Lever Handles Chrome

Wels 4 Star 7lpm

GTCL10015

100mm Lever Handle





Jetflo

Pre - Rinse Tapware

The Jetflo range has been designed to withstand demanding and heavy duty use in any commercial application.

The Jetflo range offers versatile configurations to suit any environment.

Designed with flexible heavy duty spring and ergonomic handpiece to improve ease of use and functionality.

Watermark Standards and 5 year warranty provide a guarantee of quality and lower lifetime cost.

SOLUTIONS FOR:

- Commercial Kitchens
- Food Preparation Areas
- Restaurants
- Hotels



CONFIGURATIONS

- Hob Mounted Assemblies
- Wall Mounted Assemblies

WATER PRESSURE

Minimum 150kpa
Optimum 250 to 350kpa
Maximum 450kpa

TEMPERATURE

Maximum 80°C

FINISH

Chrome Plated

FLOW RATE

Pot Filler Wels 5 star/6lpm
Trigger Spray Wel 6 star/3.5lpm

STANDARD / COMPLIANCES

Install Gentec products in confidence.
Our products are tested and certified to AS/NZ 3718, AS/NZ 4020 and WEL

The nominal flow might be different from the actual flow



WARRANTY

Our standard warranty terms and conditions for this range is 5 years and 1 year hoses. For further information, please refer to our standard warranty terms and conditions of sale.

INSTALLATION

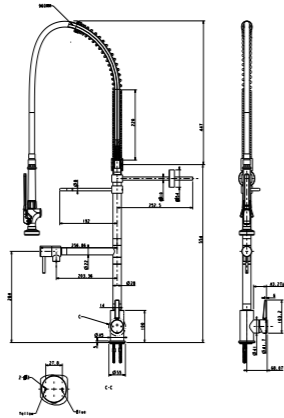
Product must be installed in accordance with manufacturer's recommendations and to AS/NZ3500. It is recommended that a strainer is installed prior to the installation of this product and pressure does not exceed the manufacturer's recommendations.

PRODUCT

TECHNICAL DRAWING

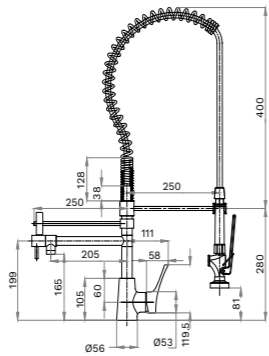
SPECIFICATIONS

CODE: GTGPJ1200



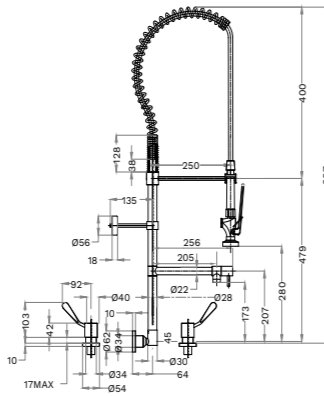
Satin Stainless Steel Bench Mounted
Pre-rinse Unit with Pot Filler and Mixer
6-star 2.5 lpm
(Nominal Flow : 2.19 lpm)

CODE: GTJETF1200C



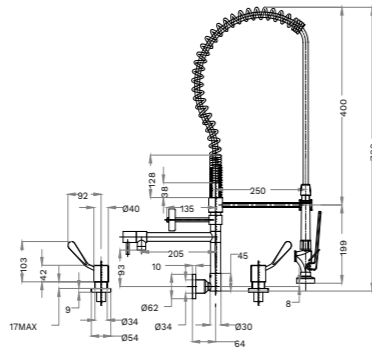
Hot & Cold Hob Compact Mounted
Pre-Rinse Unit with Pot Filler
Wels 6 Star 3lpm

CODE: GTJETF3000



Hot & Cold Wall Mounted Pre-Rinse Unit
with Pot Filler and 100mm Lever Control
Wels 6 Star 3lpm
150mm levers available

CODE: GTJETF3000W



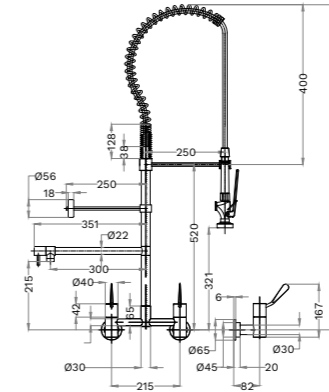
Hot & Cold Compact Wall Mounted
Pre-Rinse Unit with Pot Filler and 100mm
Lever Recess Control Valves
Wels 6 Star 3lpm
150mm levers available

PRODUCT

TECHNICAL DRAWING

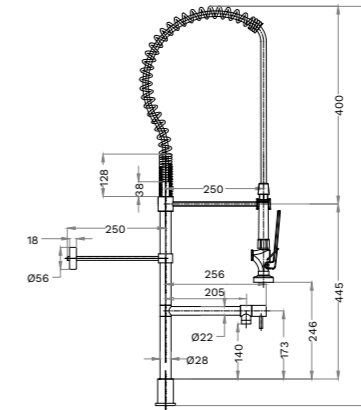
SPECIFICATIONS

CODE: GTJETF5600



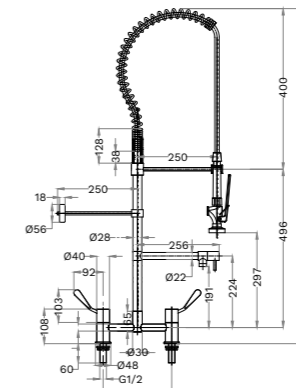
Hot & Cold Exposed Wall Mounted
Pre-Rinse Unit with Pot Filler and 100mm
Lever Recess Control Valves
Wels 6 Star 4lpm
150mm levers available

CODE: GTJETF6000



Hot & Cold Hob Mounted Pre-Rinse Unit
with Pot Filler
Wels 6 Star 3lpm

CODE: GTJETF9900



Hot & Cold Exposed Hob Mounted
Pre-Rinse Unit with Pot Filler and 100mm
Lever Control Valves
Wels 6 Star 3lpm
150mm levers available



Ecosafe

Safety Showers & Eyewashes

The Ecosafe range of Emergency Showers and Eye Wash equipment have been manufactured with the durability and reliability to operate in the most demanding environments.

Polished Stainless steel provides strength and is hygienic

Ecosafe products carry Australian and ISO standards.

SOLUTIONS FOR:

- Laboratories
- Healthcare
- Mining, Manufacturing & Chemical Handling Facilities



CONFIGURATIONS

- Eye wash stations
- Mounted wall system

- Free standing units
- Combination units

WATER PRESSURE

Minimum 200kpa
Optimum 250 to 350kpa
Maximum 500kpa

FINISH

Stainless steel

TEMPERATURE

Minimum 10°C
Maximum 70°C

STANDARD / COMPLIANCES

Install Gentec products in confidence. The Ecosafe range is tested and certified to AS 4775, AS/NZS 4020 and ISO Type 5 certificate.

The nominal flow might be different from the actual flow



WARRANTY

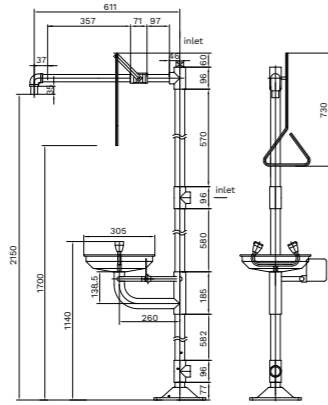
Our standard warranty terms and conditions for this range is 5 years. For further information, please refer to our standard warranty terms and conditions of sale.

INSTALLATION

Product must be installed in accordance with manufacturer's recommendations and 5 years, for further information, please refer to our standard to AS/NZS 3500. It is recommended that a strainer is installed prior to the installation warranty terms and condition of sale. of this product and pressure does not exceed the manufacturer's recommendations

PRODUCT TECHNICAL DRAWING SPECIFICATIONS

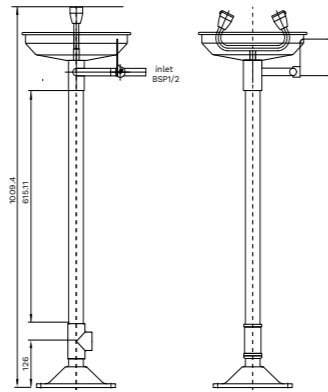
CODE: GTECO1000EXP



Stainless steel Combination Floor-Mounted Shower and Eye/Face Wash with Bowl

GTECO1000FPEXP With Foot Pedal

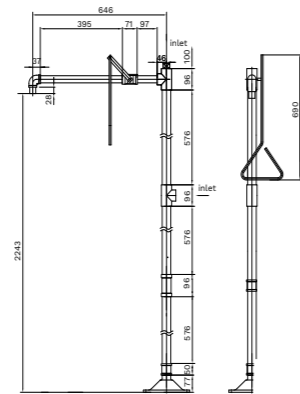
CODE: GTECO4000EXP



Floor-Mounted Pedestal ABS Plastic Eye/Face Wash with Stainless Steel Bowl

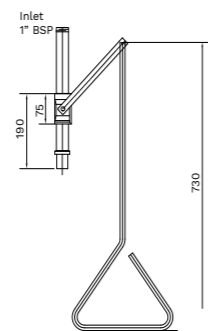
GTECO4000FP With Foot Pedal

CODE: GTECO2020EXP



Floor-Mounted Stainless Steel Shower

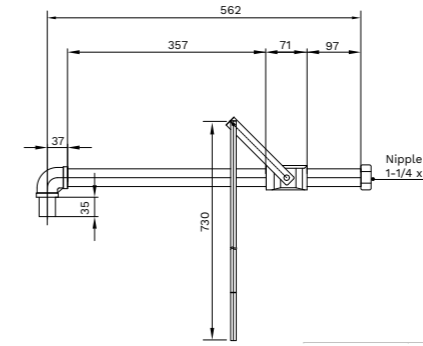
CODE: GTECO2010EXP



Stainless steel Ceiling-Mounted Shower

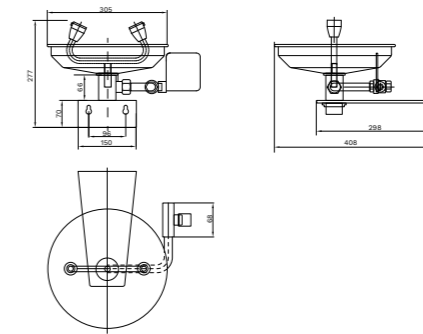
PRODUCT TECHNICAL DRAWING SPECIFICATIONS

CODE: GTECO2000EXP



Stainless steel Horizontal Shower

CODE: GTECO4010EXP



Wall-Mounted Eye/Face Wash with stainless steel bowl



Tempset

Thermostatic Mixers

Tempset thermostatic tapware has been designed for hospital and healthcare environments that require the highest level of protection.

Tempset Thermostatic taps guarantee to protect users from excessive water temperatures and reduce the risk of legionella which can occur in low standard water systems.

Tempset taps include fail safe protection to prevent scalding and provide peace of mind for any high risk environment.

Thermostatic taps includes laminar flow and are fully serviceable in-situ to reduce maintenance time and cost.

Tempset taps carry Australian Watermark and Hospital Approvals with a 5 year commercial warranty.

SOLUTIONS FOR:

- Hospitals
- Health & Aged Care Facilities



CONFIGURATIONS

- Basin Mixer
- Exposed Wall Basin Mixer
- Shower or Bath Mixer

ACCURACY

± 2°C

Max Inlet Temperature 85°C

Max Inlet Pressure Ratio 10:1

Maximum Pressure 500kpa

- Outlet

- Laminar Flow

- Vandal Aerator

- Standard Aerator

STANDARD / COMPLIANCES

Install Gentec products in confidence. Our products are tested and certified to AS/NZ3718, AS/NZ4020, Wels

The nominal flow might be different from the actual flow



WARRANTY

Our standard warranty terms and conditions for this range is 5 years. For further information, please refer to our standard warranty terms and conditions of sale

INSTALLATION

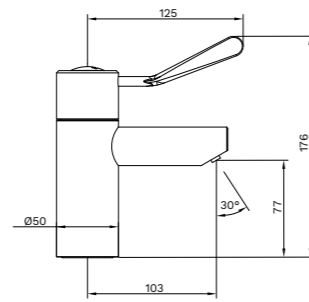
Product must be installed in accordance with manufacturer's recommendations and to AS/NZ3500. It is recommended that a strainer is installed prior to the installation of this product and pressure does not exceed the manufacturer's recommendations.

PRODUCT

TECHNICAL DRAWING

SPECIFICATIONS

CODE: GTMVPM10100



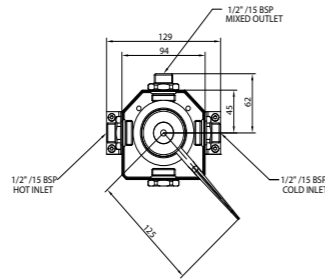
Thermostatic Bench Mounted
Mixing Tap.

- DZR Brass construction
- Watermark Approved
- Wels 4 Stars 6lpm

GTMVPM10100 100mm Levers

GTMVPM10150 150mm Levers

CODE: GTMVPM20100



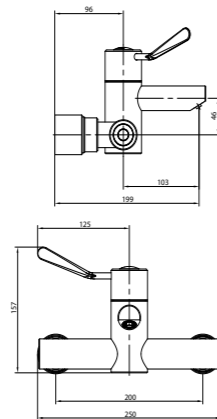
Thermostatic Shower/Bath Mixing Tap

- DZR Brass construction
- Watermark Approved

GTMVPM20100 100mm Levers

GTMVPM20150 150mm Levers

CODE: GTMVPM30100



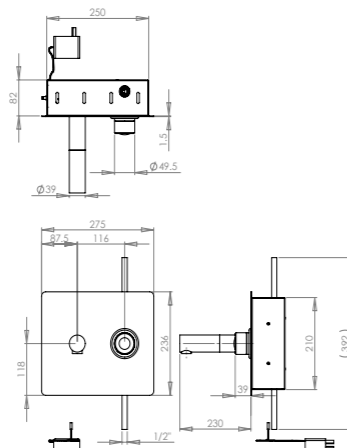
Thermostatic Exposed Wall
Mounted Mixing Tap.

- DZR Brass construction
- Watermark Approved
- Wels 4 Stars 6lpm

GTMVPM30100 100mm Levers

GTMVPM30150 150mm Levers

CODE: GTMVPM5000



Sensor tap with Thermostatic
Temperature Adjustment

- Battery and Mains Powered
- Watermark Approved



MODSpec Accessories

Commercial Accessories: Standard and accessible

To support living with a purpose our Modspace accessory range provides solutions in stainless steel offering a stylish and modern design.

Our collection includes grab rails with knurled grip detailing offering support in all applications and spaces, wet area seating along with bathroom essentials like paper towel dispensers and soap dispensers using durable stainless steel. (colour options on some product available on indent)

SOLUTIONS FOR:

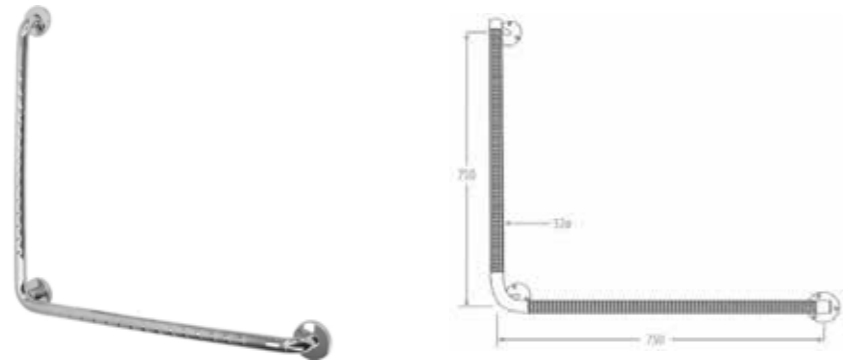
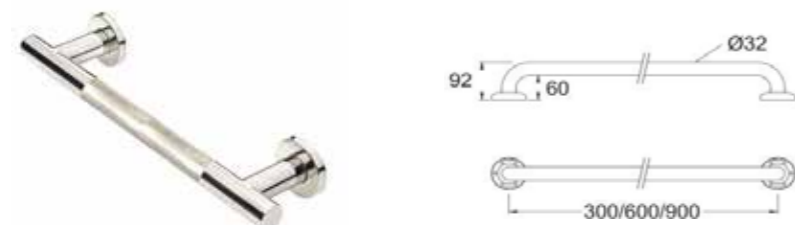
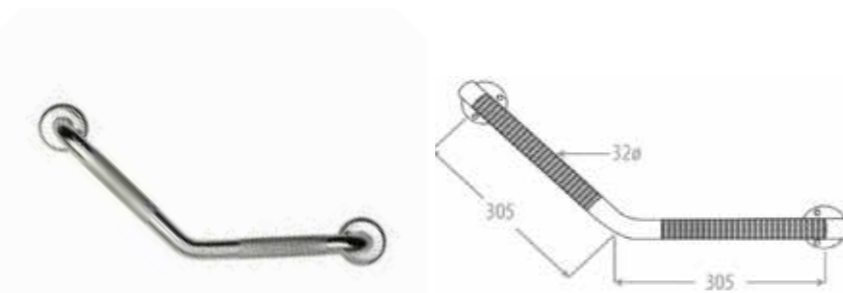
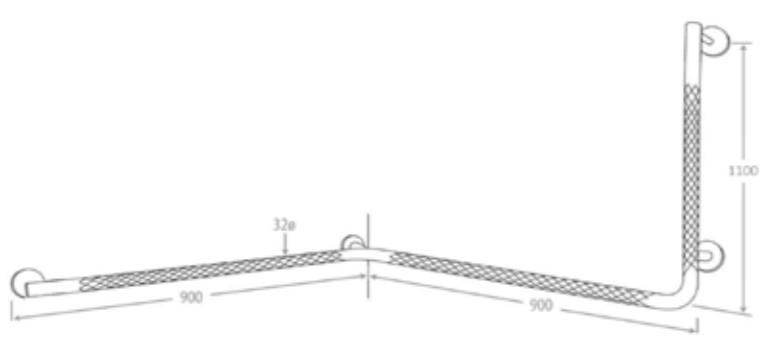
- Hospitals,
- Health & aged care facilities,
- Accessible areas,
- Public facilities,
- Education

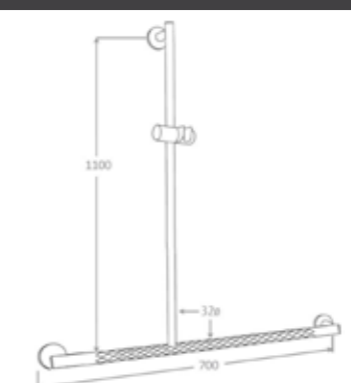
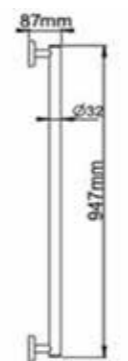

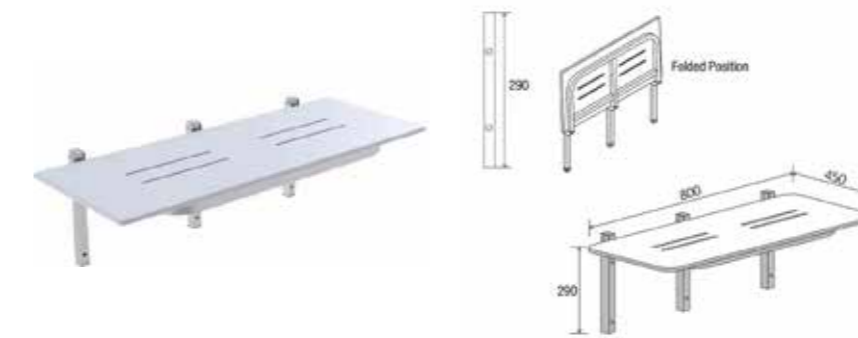
WARRANTY

Our standard warranty terms and conditions for this range is 2 years. For further information, please refer to our standard warranty terms and conditions of sale

INSTALLATION

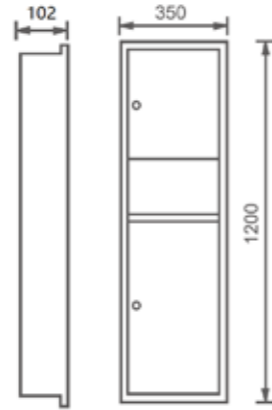
Product must be installed in accordance with manufacturer's recommendations and to AS/NZ3500. It is recommended that a strainer is installed prior to the installation of this product and pressure does not exceed the manufacturer's recommendations.

PRODUCT	TECHNICAL DRAWING	SPECIFICATIONS
<p>CODE: GBMS7575</p> 	<p>L Shaped 90° Grab Rail with Knurled Grip</p> <ul style="list-style-type: none"> • 304 polished stainless steel • 750 x 750mm 	
<p>CODE: GBMS2030</p> 	<p>300mm Straight Grab Bar</p> <ul style="list-style-type: none"> • 304 polished stainless steel • Polished at both ends, knurled in the middle <p>GBMS2060 600mm straight grab bar GBMS2090 900mm straight grab bar</p>	
<p>CODE: GBMS3030L</p> 	<p>140° Angled Grab Bar</p> <ul style="list-style-type: none"> • 305x305mm • 304 polished stainless steel • Polished at both ends, knurled in the middle - Available in Left hand & Right hand 	
<p>CODE: GB90901100R</p> 	<p>90° Corner Grab Bar incl Handshower Slide</p> <ul style="list-style-type: none"> • 900x900x1100mm • 304 stainless steel • Polished at both ends, knurled in the middle - Available in Left hand & Right hand <p>(Indent only) GB90901100R GB90901100L</p>	

PRODUCT	TECHNICAL DRAWING	SPECIFICATIONS
<p>CODE: SBG-03L</p> 	<p>Accessible Shower Rail Set</p> <ul style="list-style-type: none"> • 304 stainless steel • ABS plastic sliding holder - Available in Left hand & Right hand <p>SBG-03L - Left SBG-03R - Right</p>	
<p>CODE: SBG-02</p> 	<p>Accessible Shower Rail Set</p> <ul style="list-style-type: none"> • 304 polished stainless steel • ABS plastic sliding holder • Polished at both ends, knurled in the middle 	
<p>CODE: GBMS06PK</p> 	<p>Folding Toilet Grab Bar</p> <ul style="list-style-type: none"> • 304 polished stainless steel • Polished, knurled in the middle • Lockable in upright position 	
<p>CODE: MSSS8045BR</p> 	<p>Wall Mount Folding Shower Seat</p> <ul style="list-style-type: none"> • Laminate seat • Polished stainless steel frame • 800 x 450mm 	

PRODUCT	TECHNICAL DRAWING	SPECIFICATIONS
---------	-------------------	----------------

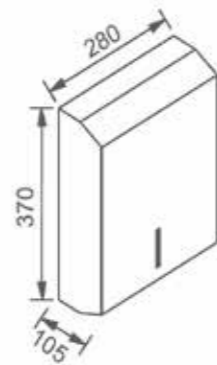
CODE: FW8129



Recessed Tissue Paperholder and Bin
 • 304 brushed stainless steel
 • 1200 x 350 x 102mm

WATERWARE

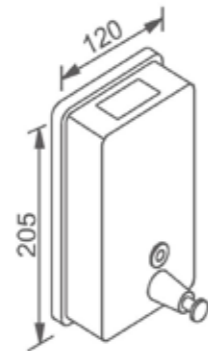
CODE: FW8090BS



Surface Mounted Tissue Holder
 • 304 brushed stainless steel
FW8090MB Matte Black

WATERWARE

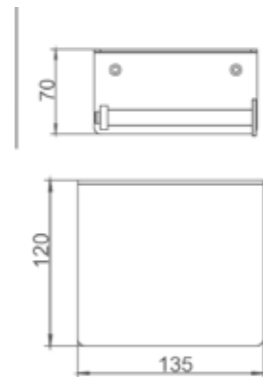
CODE: FW8077



Soap dispenser
 • 304 polished stainless steel

WATERWARE

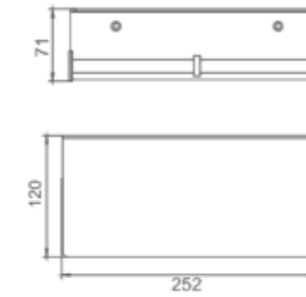
CODE: FW8089BS



Single Toilet Roll Holder + Shelf
 • 304 polished stainless steel

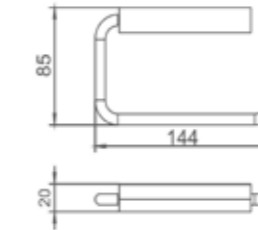
PRODUCT	TECHNICAL DRAWING	SPECIFICATIONS
---------	-------------------	----------------

CODE: FW8089DBS



Double Toilet Roll Holder + Shelf
 • 304 brushed stainless steel

CODE: FW8144



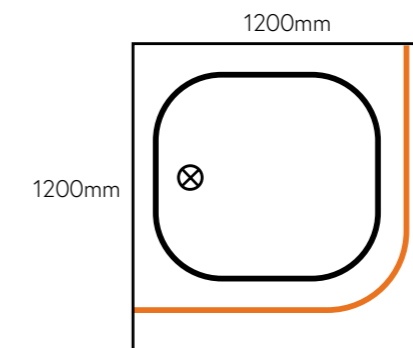
Toilet Roll Holder
 • 304 polished stainless steel

CODE: FW8058-2



Robe Hook Double
 Chrome

CODE: M20BS07W



Shower curtain + track white
 • 1200x1200mm equal sides



MODSpec comes with its own proposal builder. Once you have made your product selection, our team will run it through the proposal builder and present you with price details and spec sheets for all of the product for your project.

Key Features:

- Proposal builder service incl all products and specification sheets
- Can be branded with your logo and project details
- Merchant, installer or retail prices available as appropriate
- Free of charge
- 48hr turn around



Code	Description	Quantity	Unit	Price	Total



PLAN YOUR NEXT PROJECT WITH SmartCart

SCHEDULING TOOL

Simplify your next project with SmartCart, Waterware's new scheduling tool. SmartCart is your own personal logistics manager, providing customers with the means to plan and schedule their projects over multiple deliveries with time frames that suit them.

SmartCart is designed to cover the complete customer journey to help ensure that products ordered are in stock to coincide with the schedule that has been set.

This will provide Waterware the ability to forecast products ahead of each stage of the project, giving the customer the security they need to run their projects with first class service.

Products are allocated to the project to effectively guarantee the supply and price over the duration of the project. Products are not charged until they are delivered, giving you the best of both worlds – products that are available when you need them, at the current price without impacting your cash flow.

As an added bonus, customers will also have up to 2 years from the point of ordering, to schedule deliveries! Plan smart and contact Waterware to find out more about SmartCart.



SCHEDULE YOUR PROJECTS



SPLIT DELIVERIES



TIME MANAGEMENT



PREMIUM SERVICE

Scan the QR code below to watch a short video of how SmartCart can help you plan your next project!

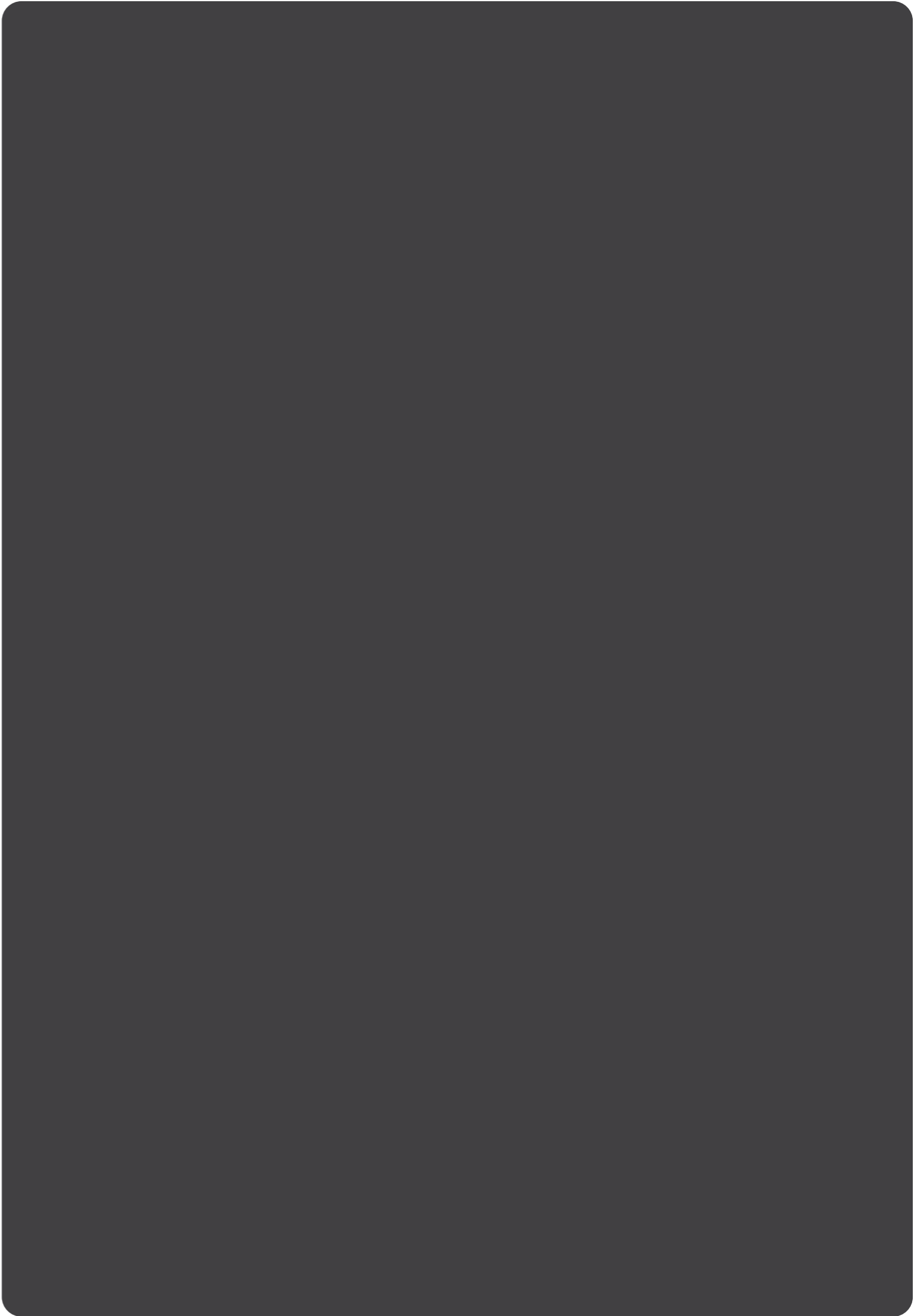


SCAN ME

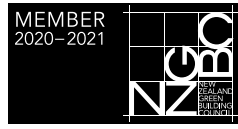
NOTES

We know there's a lot to take in. So in order to help you save your selection, below is page so you can note down your favourite products and what pages they are on.

Lined area for taking notes, consisting of horizontal lines.



Proud members of



WATERWARE

waterware.co.nz
info@waterware.co.nz
+64 9 273 9191

