

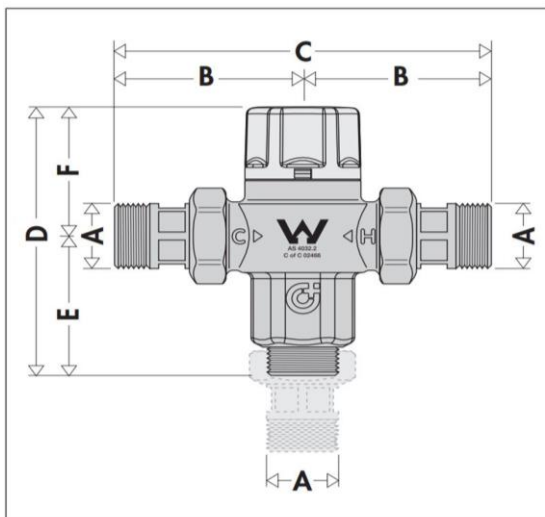
# CTV15

Caleffi 5213 15mm Tempering Valve



## Technical Specification

- Temp Adjustment Range 30 - 50°C
- Temp Control +/- 3°C
- Max inlet Temp. 85°C
- Operating Press. (Dynamic) Range 20 - 500kPa
- Max Working Pressure (Static) 1400kPa
- Max. unbalanced dynamic supply differential 6:1
- Min. flow rate 4L/min
- Min. Operating Temp. Differential for thermal shutoff 10°C
- Material DZR Alloy EN 12165 CW602N
- Approvals: Certified to AS 4032.2



<b>Code</b>	<b>521312</b> AUS
<b>A</b>	Ø 15
<b>B</b>	62,5
<b>C</b>	125
<b>D</b>	91
<b>E</b>	48,5
<b>F</b>	42,5

## Application

The Caleffi 5213 15mm Tempering Valve is used in plumbing systems to control water temperature and is installed mostly to feed a bathroom.

## Warranty

[Download the latest warranty statement](#)

## Features

- Anti-Scalding shutdown.
- Cold side check valve only
- The valve can be installed in any position, whether vertical or horizontal. To allow for maintenance, it is essential that access to the valve and fittings is not impeded.
- Adjustable temperature control.