

# INSTRUCTION MANUAL

BS03411224

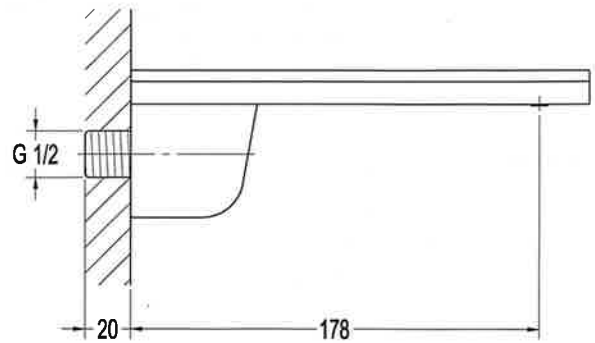
## I Installation Notice

1. Install water supply lines in accordance with this manual.
2. Floor drain should be installed in the location of the faucet.
3. Install the faucet only after the completion of house interior decoration in case paint or other chemicals erode the faucet surface.
4. Clean pipes to get rid of mud, sand or other debris blocked in pipes.
5. Check whether the threads can be matched. Otherwise, too strong force applied to the wrench will damage the faucet.
6. After installation, check all the joints to make sure they are firmly connected. Then keep water flow. Turn on and off repeatedly to ensure there is no leakage around the joints. At this stage, the product is ready for normal use.
7. Keep the manual to the user.

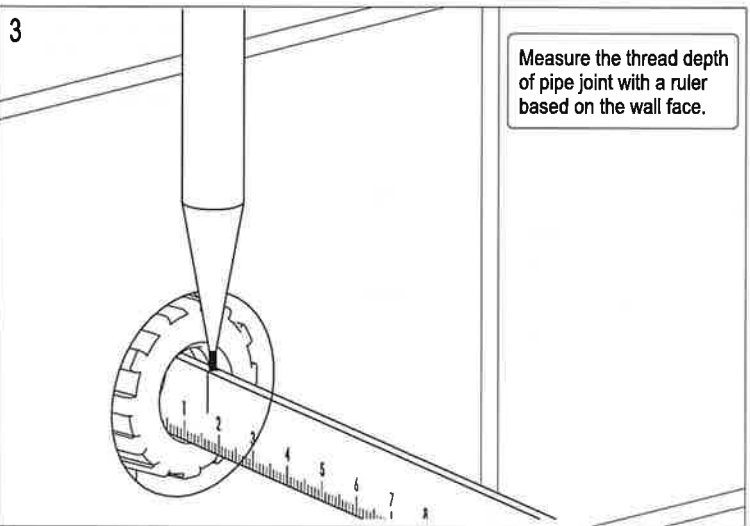
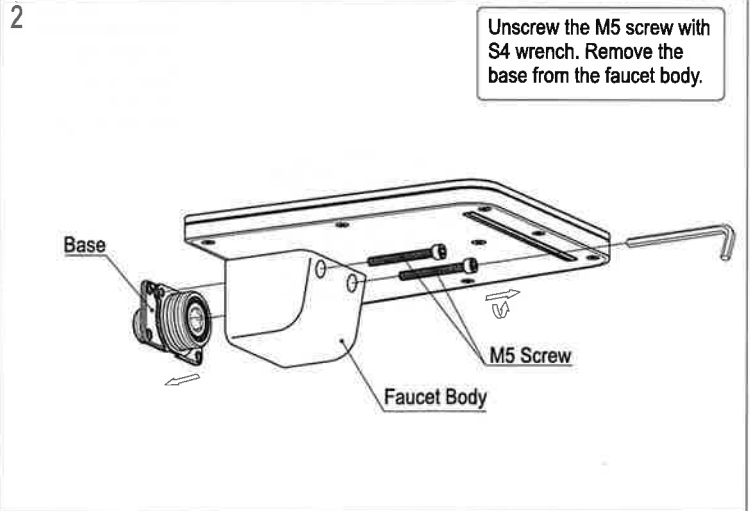
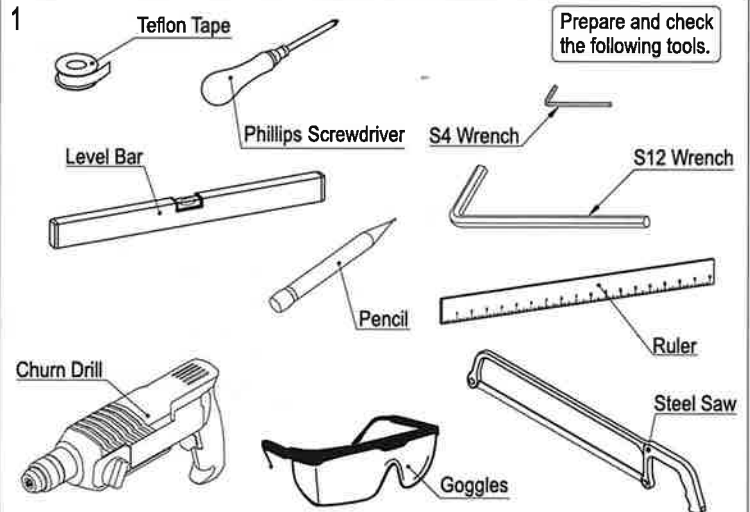
## II Operation Notice

1. The product is used between water pressure 0.05~1.0MPa, water temperature 4~90°C.
2. Do not hang heavy things on the faucet.
3. Make sure the faucet is off when no water comes out of it (especially when nobody resides in the house or during the period of decoration or the absence of water).
4. Always clean the surface of faucet to keep it bright. Attention: Please do not use inappropriate tools such as sharp brushes, rough sponges, scouring pads or corrosive detergent to clean the faucet, and we do not recommend that you use the detergent sold in the market, because its formula is changing frequently. Please clean the faucet by wet cloth and soapy water after each time of usage. Then rinse the soap out with clean water and dry with a soft cotton cloth.
5. To avoid scalding, the faucet will be used after adjust the temperature.
6. Do not disassemble the product unless you are an expert.

## III Installation Dimensions

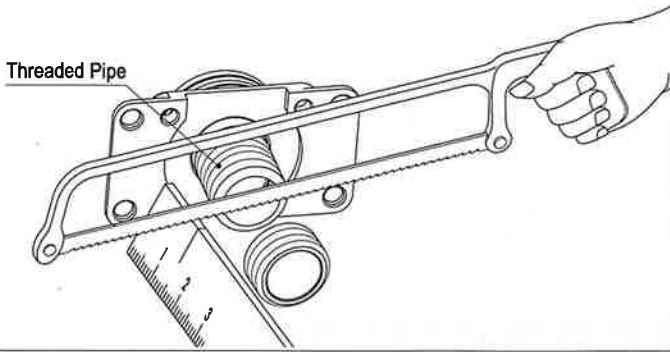


## IV Installing Steps (As shown in figure 1~11)



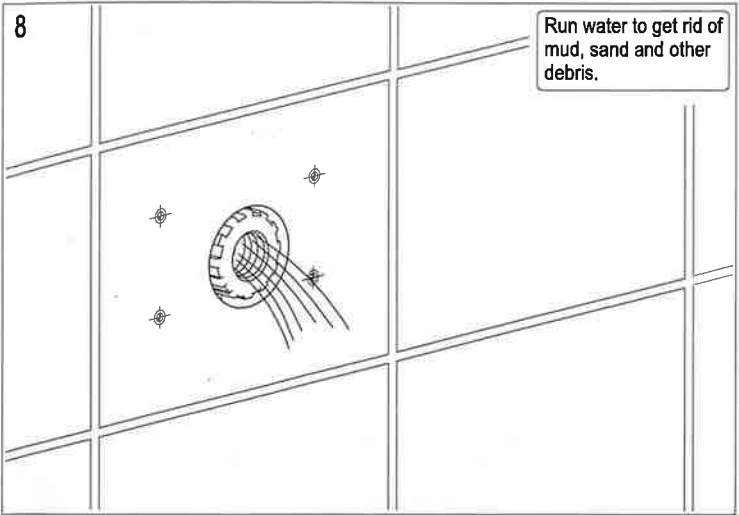
4

Measure the length of the threaded pipe by ruler. Make sure the length of thread is less than the depth of pipe joint. Otherwise, the excess part should be sawed off from the threaded pipe.



8

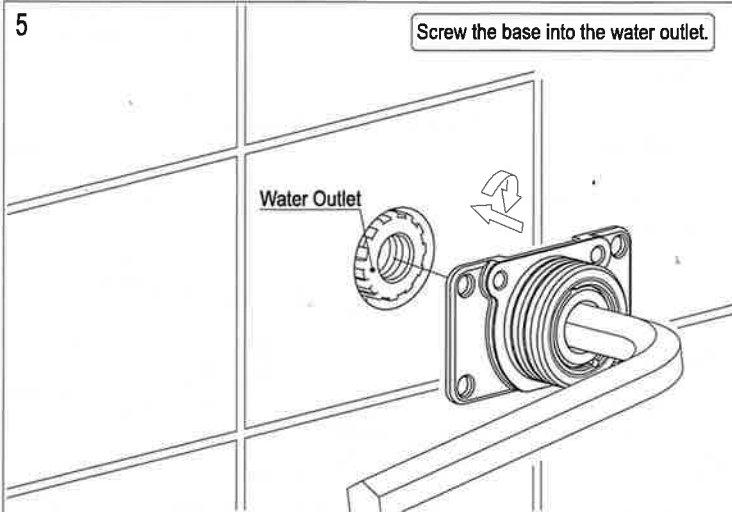
Run water to get rid of mud, sand and other debris.



5

Screw the base into the water outlet.

Water Outlet

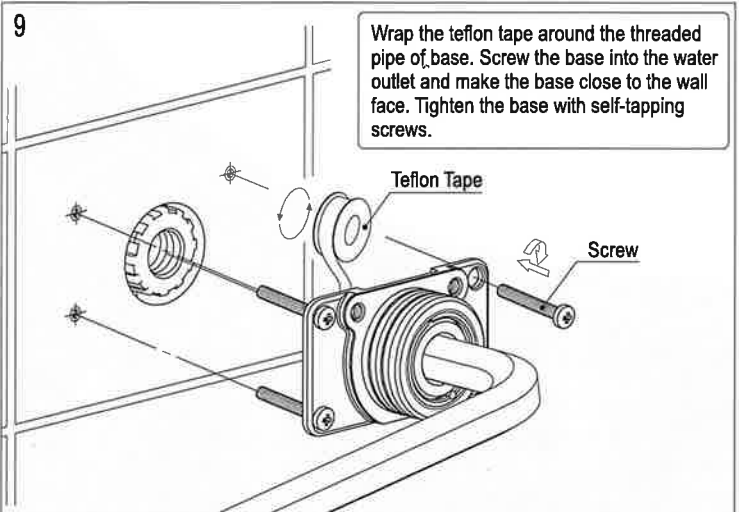


9

Wrap the teflon tape around the threaded pipe of base. Screw the base into the water outlet and make the base close to the wall face. Tighten the base with self-tapping screws.

Teflon Tape

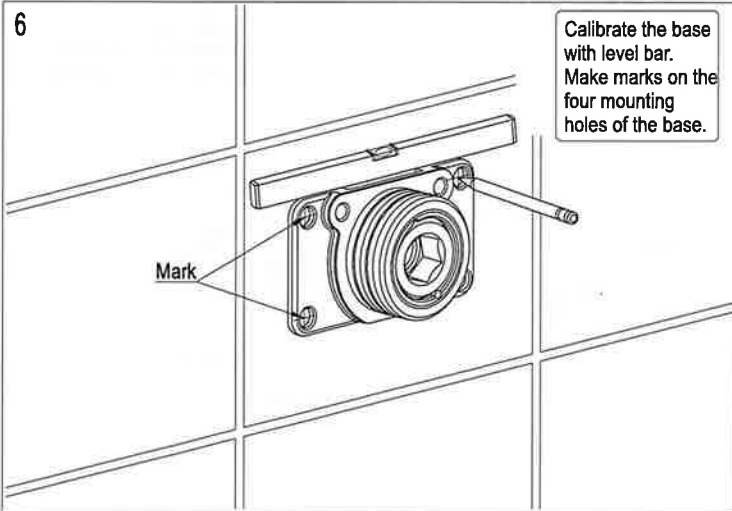
Screw



6

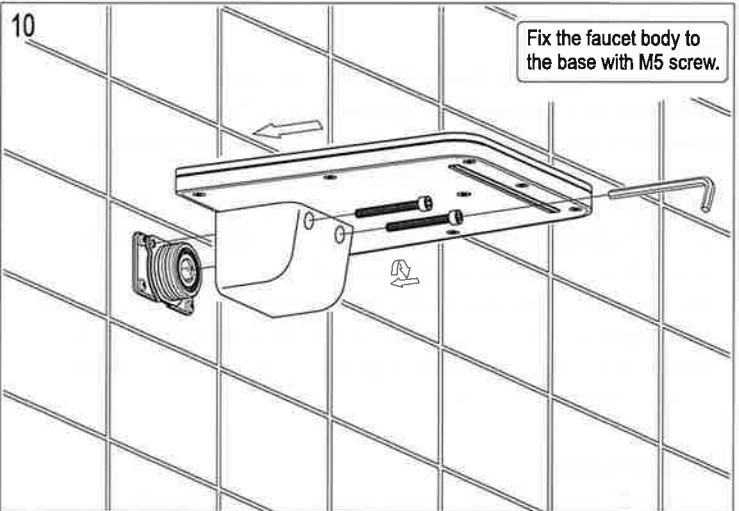
Calibrate the base with level bar. Make marks on the four mounting holes of the base.

Mark



10

Fix the faucet body to the base with M5 screw.

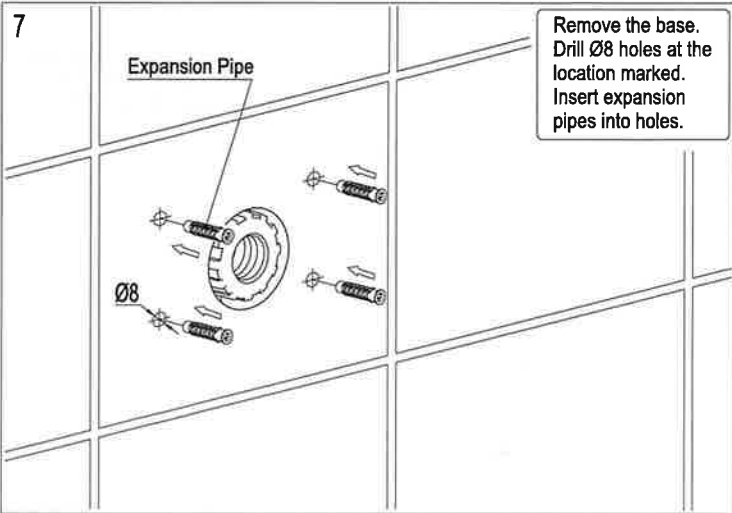


7

Expansion Pipe

Remove the base. Drill Ø8 holes at the location marked. Insert expansion pipes into holes.

Ø8



11

Run water for inspection.

