

# Extractable Kitchen Mixer



FWK396BN

Doppia Extractable Kitchen Mixer Brushed Nickel

Step into culinary sophistication with the Doppia Kitchen Mixer. A fusion of minimalist design and functionality for the busiest room in the home. It combines a sleek gooseneck swivel spout with 360° rotation and hidden extractable head feature, paired with an easy height hob mounted mixer.

Brushed nickel finish

388mm overall height x 226mm reach

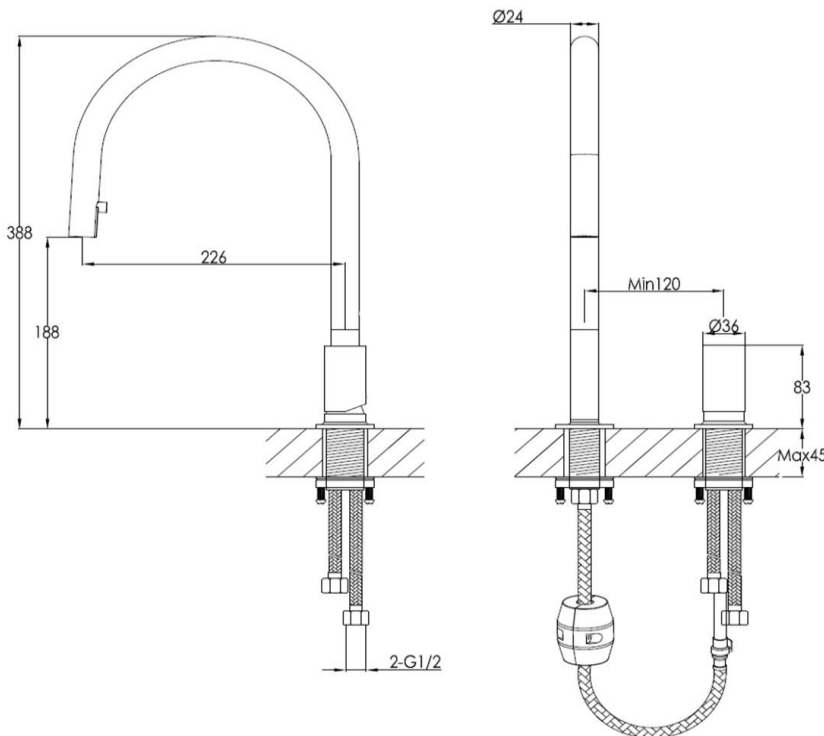
Mains pressure only

Recommended working pressure 200 – 500kPa (balanced)

Made from PVD on brass (no Nano)

Ceramic disc cartridge

35mm hole cut out size required for installation



## CARE AND USE

### Tapware

All finishes are smooth, abrasion resistant, corrosion resistant, fade-proof and easy to clean. All finishes are super hard wearing surfaces that won't chip, peel or tarnish with normal use. All surfaces should be regularly wiped clean with non scouring, neutral wash solutions.

## LIMITED PRODUCT WARRANTIES

To be read in conjunction with and subject to all terms and conditions contained in the Waterware 'Producer Statement' available on-line (<http://www.waterware.co.nz/media-downloads>) From date of purchase, Waterware Services warrants products from the following categories to be free from manufacturing defect subject to exclusions (if applicable):

Category	Domestic Installations	Commercial Installations	Exclusions	Wells
Tapware   10 year conditional warranty	5 years parts and labour, 6-10 years parts only	1 year parts and labour	Handshowers and Hoses	5 Star 4.5L/min