

Shower Divert Mixer



FLOVA®

FWML8308C

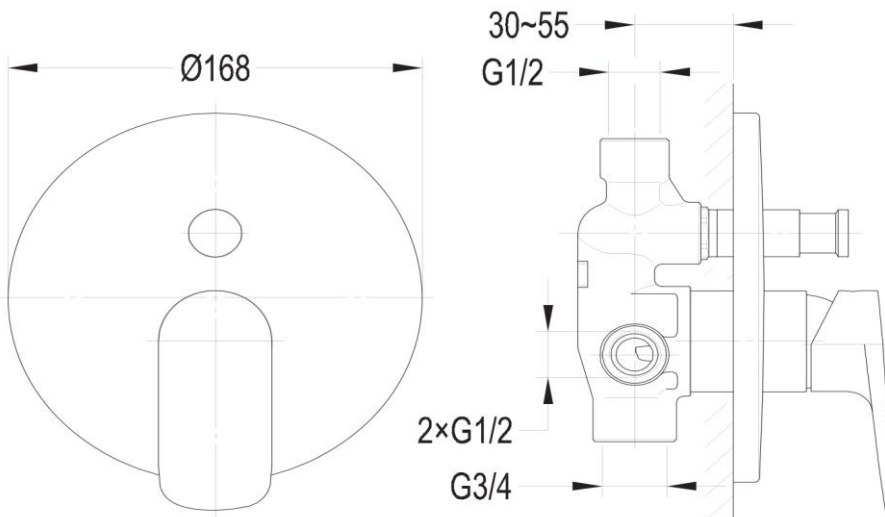
Modern Linea Shower Divert Mixer Chrome (Round Faceplate)

Shower or bath divert mixer with a round faceplate
Divert feature allows dual functions e.g. slide shower and dump rose

Mains pressure only

Recommended working pressure 200 - 500kPa (balanced)

Sedal ceramic disc cartridge (Made in Spain)



CARE AND USE

Tapware

All finishes are smooth, abrasion resistant, corrosion resistant, fade-proof and easy to clean. All finishes are super hard wearing surfaces that won't chip, peel or tarnish with normal use. All surfaces should be regularly wiped clean with non scouring, neutral wash solutions.

LIMITED PRODUCT WARRANTIES

To be read in conjunction with and subject to all terms and conditions contained in the Waterware 'Producer Statement' available on-line (<http://www.waterware.co.nz/media-downloads>) From date of purchase, Waterware Services warrants products from the following categories to be free from manufacturing defect subject to exclusions (if applicable):

Category	Domestic Installations	Commercial Installations	Exclusions	Wells
Tapware 10 year conditional warranty	5 years parts and labour, 6-10 years parts only	1 year parts and labour	Handshowers and Hoses	Not required