

## Wall Mounted Short Bath Spout



FWU07BS

Urban Wall Mounted Short Bath Spout Brushed Stainless

Wall mounted short bath spout in brushed stainless finish

150mm reach and 15mm male connection

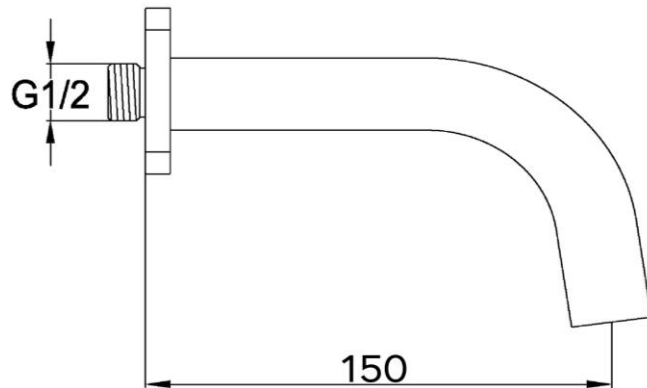
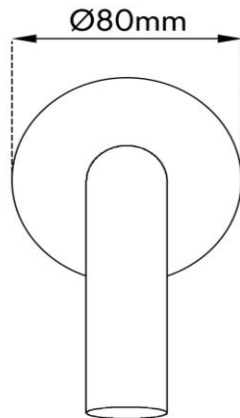
80mm faceplate

Solid stainless steel construction

Mains pressure only

Recommended working pressure 200 – 500kPa (balanced)

Note: A separate aerator is supplied in the box if the installation requires a higher or lower flow rate. Please use the aerator key supplied to remove the existing aerator and replace it with the additional aerator, then test if the flow rate suits the installation.



### CARE AND USE

Tapware

All finishes are smooth, abrasion resistant, corrosion resistant, fade-proof and easy to clean. All finishes are super hard wearing surfaces that won't chip, peel or tarnish with normal use. All surfaces should be regularly wiped clean with non scouring, neutral wash solutions.

### LIMITED PRODUCT WARRANTIES

To be read in conjunction with and subject to all terms and conditions contained in the Waterware 'Producer Statement' available on-line (<http://www.waterware.co.nz/media-downloads>) From date of purchase, Waterware Services warrants products from the following categories to be free from manufacturing defect subject to exclusions (if applicable):

Category	Domestic Installations	Commercial Installations	Exclusions	Wels
Tapware   10 year conditional warranty	5 years parts and labour, 6-10 years parts only	1 year parts and labour	Handshowers and Hoses	Not required