

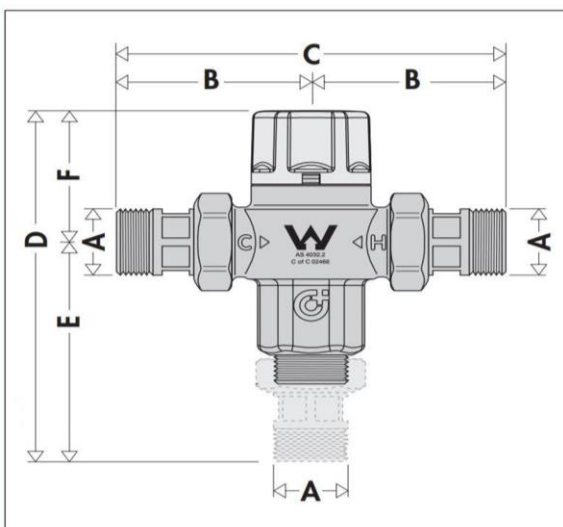
TV521325

Caleffi 5213 25mm Thermostatic Tempering Valve



### Technical Specification

- Temp Adjustment Range 30 - 50°C
- Temp Control +/- 3°C
- Max Op. Temp. 85 °C
- Operating Press. Range 20 - 500 kPa
- Max. Inlet Press. Differential 2:1
- Max Test Press. 1400 kPa
- Min. flow rate 6L/min
- Material DZR Brass
- Min. Operating Failsafe Temp. Differential 10°C



|             |                      |
|-------------|----------------------|
| <b>Code</b> | <b>521325</b><br>AUS |
| <b>A</b>    | Ø 25                 |
| <b>B</b>    | 85,5                 |
| <b>C</b>    | 171                  |
| <b>D</b>    | 166,5                |
| <b>E</b>    | 102,5                |
| <b>F</b>    | 64                   |

### Application

The Caleffi 5213 25mm Thermostatic Tempering Valve is used in plumbing systems to control water temperature and is installed mostly to feed a bathroom.

### Warranty

[Download the latest warranty statement](#)

### Features

- Australian Standards approved valve with 25mm unions
- Union connectors with o-ring seal with hot and cold check valves
- Temperature range adjustable 30 - 50°C
- Max. operating temperature 85°C
- Body in dezincification resistant brass

Approvals:

Certified to AS 4032.2