

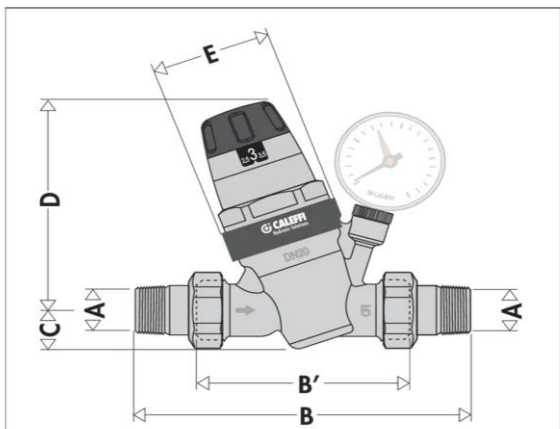
PR535040H

Caleffi 535 Series High Temp Low Lead Pressure Reducing Valve 15mm



Technical Specification

- Body: Dezincification resistant alloy brass EN1982 CC768S
- Control Stem: Dezincification resistant alloy EN12164 CW724R
- Strainer: Stainless steel
- Moving parts: Dezincification resistant alloy EN12164 CW724R
- Diaphragm, Seals: EDPM
- Max. upstream pressure: 25 bar
- Downstream pressure setting range: 1–6 bar
- Factory setting: 3 bar
- Max. working temperature: 80°C
- Strainer mesh size: 0.51 mm



Code	DN	A	B	B'	C	D	E	Mass (kg)
53504.H	15	1/2"	140	76	20,5	115	Ø60	0,86



Application

The Caleffi 535 Series High Temp Low Lead Pressure Reducing Valve 15mm is used in plumbing systems to control water pressure and is installed mostly in plant rooms.

Warranty

[Download the latest warranty statement](#)

Features

- High temp, low lead 535 series pressure reducing valve with 15mm unions
- For use on hot water systems with a flow rate up to 21L/min @2m/s
- Union connections with fibre washer seal