

HS165641HE4

Caleffi Pump Station 32mm

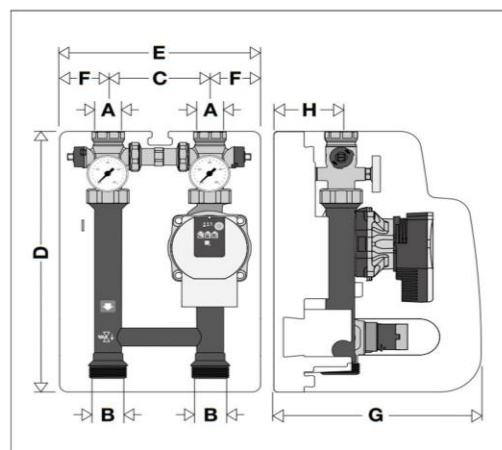


Technical Specification

- Medium: water, glycol solutions
- Max. percentage of glycol: 30%
- Maximum working pressure: 1000 kPa (10 bar)
- Minimum working pressure: 80 kPa (0.8 bar)
- Maximum working temperature: 100°C
- Pump model: PARA 25/9
- Nominal thermal capacity*
 - 17.5kW Cooling
 - 35kW Heating
- * @ 3m H (w m.g) residue power
 - 5°C Delta T cooling
 - 10°C Delta T heating
- Body: cast iron GG 15/20
- Electric supply: 230 V - 50/60 Hz



- Connections:
- system side: 1 1/4" F (ISO 228-1)
 - boiler side: 1 1/2" M (ISO 228-1)
 - connection centre distance: 125 mm



Code	A	B	C	D	E	F	G	H	Mass (kg)
165641HE4	1 1/4"	1 1/2"	125	379	247	61	255	80	8,4

Application

The Caleffi Pump Station 32mm is used in heating & cooling systems to control water flow rate or balancing and is installed mostly in plant rooms.

Warranty

[Download the latest warranty statement](#)

Features

The direct supply unit performs the function of supplying the heating system circuits at high temperature. Complete with high-efficiency pump, flow and return temperature gauges on secondary circuit, secondary circuit shut-off valves, pre-formed shell insulation.

The unit is reversible: in fact, the flow direction can be inverted from right to left, depending on installation requirements. This unit can be coupled to the 559 series SEPCOLL separator/distribution manifold for systems that require hydraulic separation or the 550 series distribution manifolds for systems with buffer tanks.