

Boston Wall Hung Pan



WDBO300WH

Boston Wall Hung Pan Gloss White

The Boston wall hung pan is a high quality toilet for use with concealed in-wall cisterns

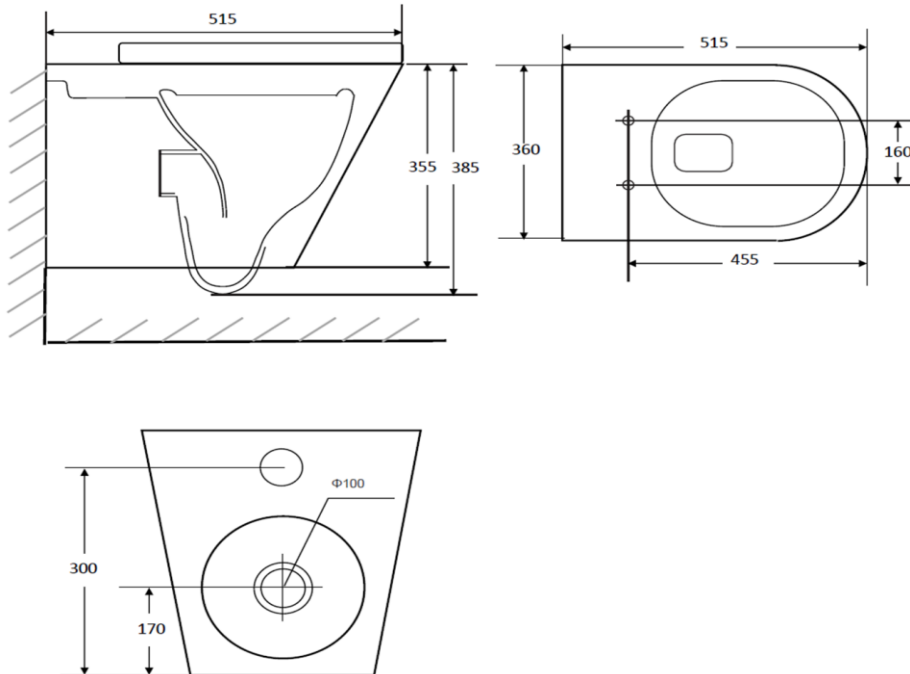
Gloss white finish

Compact design 515(D) x 385(H) x 360(W)mm

Soft close gloss white seat with a quick release stainless steel hinge

Rimless technology for increased flush velocity and excellent clearing capability

Step sided unobstructed bowl



CARE AND USE

Toilets

Vitreous china finishes are best cleaned with cream or mild abrasive toilet specific cleaners. Do not use harsh abrasives on the toilet seat surfaces.

LIMITED PRODUCT WARRANTIES

To be read in conjunction with and subject to all terms and conditions contained in the Waterware 'Producer Statement' available on-line (<http://www.waterware.co.nz/media-downloads>) From date of purchase, Waterware Services warrants products from the following categories to be free from manufacturing defect subject to exclusions (if applicable):

Category	Domestic Installations	Commercial Installations	Exclusions	Wels
Toilets and cisterns	5 years parts and labour, 6 - 10 years parts only	1 year parts and labour	Flush Valve seals	4 Star 3/4.5L litre flush