

## Boston Comfort Height Back To Wall Toilet Suite



WDBO400WH

Boston Comfort Height Back To Wall Toilet Suite Gloss White

The Boston back to wall comfort height toilet suite featuring; Gloss white finish

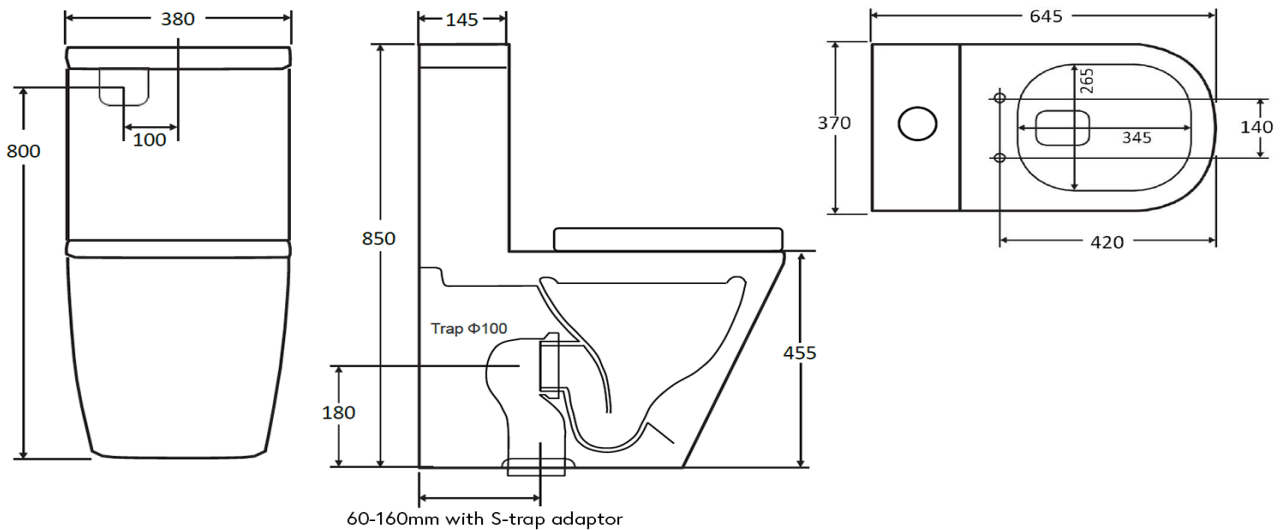
Pan height of 455mm + seat 645(D) x 370(W) x 850(H)mm

Soft close seat with a quick release stainless steel hinge, and supplied with white flush button

Rimless flushing design increases the flush velocity and clearing capability

Steep sided unobstructed bowl

P trap with an adjustable S trap waste adaptor



### CARE AND USE

#### Toilets

Vitreous china finishes are best cleaned with cream or mild abrasive toilet specific cleaners. Do not use harsh abrasives on the toilet seat surfaces.

### LIMITED PRODUCT WARRANTIES

To be read in conjunction with and subject to all terms and conditions contained in the Waterware 'Producer Statement' available on-line (<http://www.waterware.co.nz/media-downloads>) From date of purchase, Waterware Services warrants products from the following categories to be free from manufacturing defect subject to exclusions (if applicable):

Category	Domestic Installations	Commercial Installations	Exclusions	Wells
Toilets and cisterns	5 years parts and labour, 6 - 10 years parts only	1 year parts and labour	Flush Valve seals	4 Star 3/4.5L litre flush