

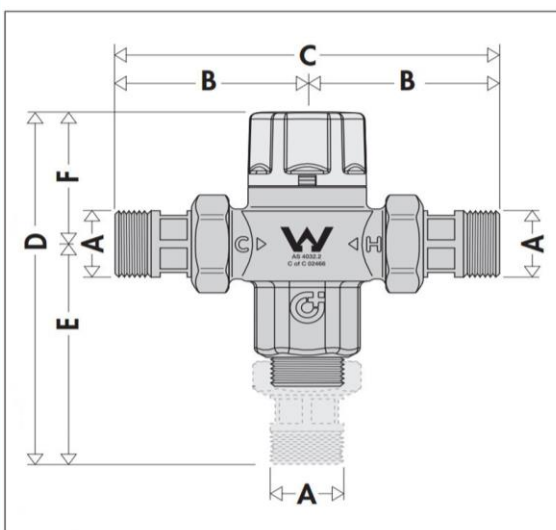
TVU521319AU

Caleffi 5213 20mm Tempering Valve with Hot and Cold Check Valves



Technical Specification

- Temp Adjustment Range 30 - 50°C
- Temp Control +/- 3°C
- Max Op. Temp. 85 °C
- Operating Press. Range 20 - 500 kPa
- Max. Inlet Press. Differential 6:1
- Max Test Press. 1000 kPa
- Min. flow rate 4L/min
- Material DZR Brass
- Min. Operating Failsafe Temp. Differential 10°C
- AS 4032.2 Approval



Code	521319 AUS
A	Ø 20
B	69
C	138
D	126,5
E	84
F	42,5

Application

The Caleffi 5213 20mm Tempering Valve with Hot and Cold Check Valves is used in plumbing systems to control water temperature and is installed mostly to feed a bathroom.

Warranty

[Download the latest warranty statement](#)

Features

- Australian Standards approved valve with 20mm unions
- Union connectors with o-ring seal with hot and cold check valves and strainers
- Temperature range adjustable 30 - 50°C
- Max. operating temperature 85°C
- Body in dezincification resistant brass