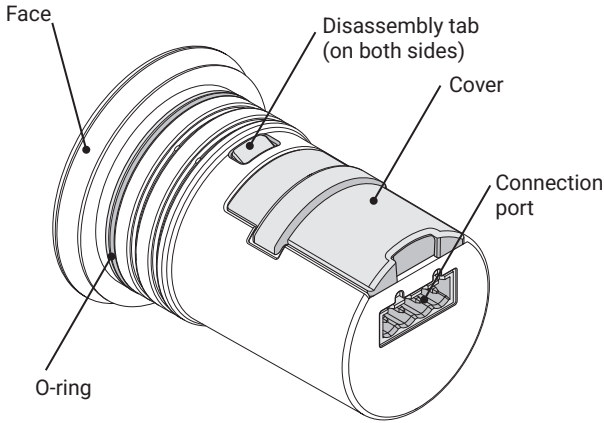
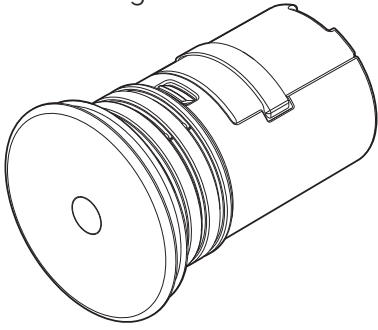


# mSense

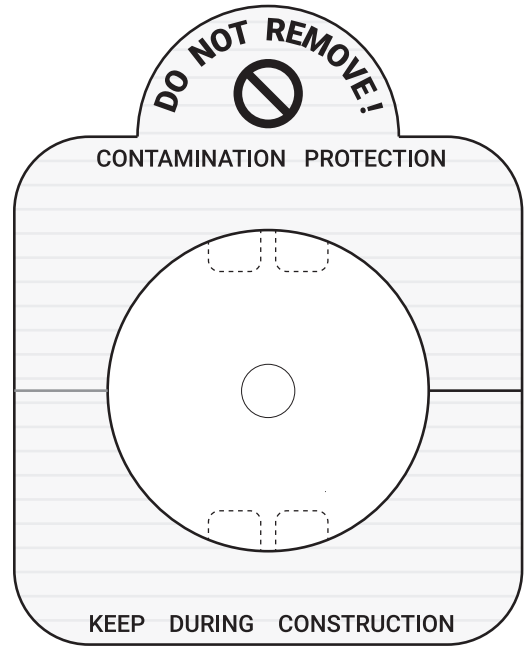
Room Comfort Sensor  
Quick installation guide



MSENST00W  
MSENSTH0W  
MSENSTH1QW

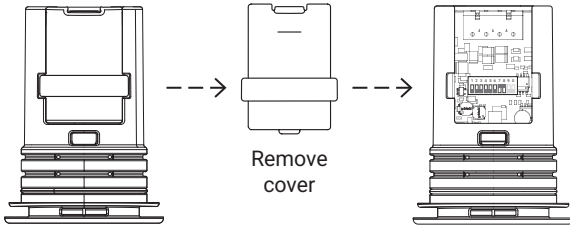
mSense Temp Only  
mSense T/RH  
mSense T/RH/VOC

## Contamination protection



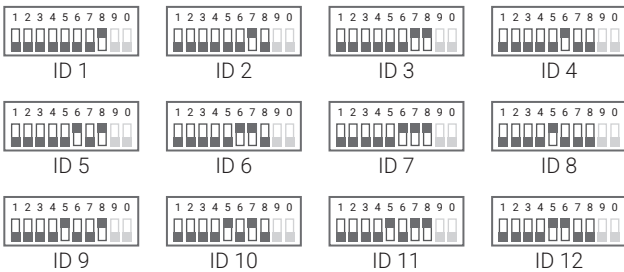
The cardboard protection has teeth that will keep the air holes closed to protect the internal sensors from chemical contamination.

## Setting the zone address

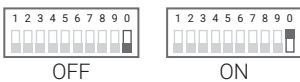


Set the mSense address on the dip-switch to match the address assigned to the zone as per design.

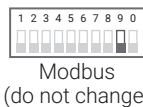
### mSense address dip-switch (#1 to #8)



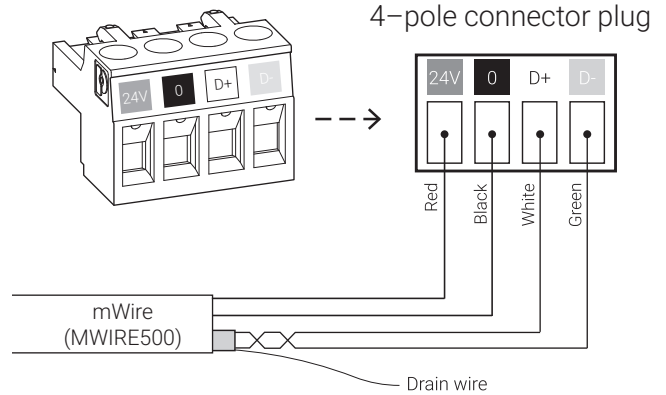
### Bus termination (#0)



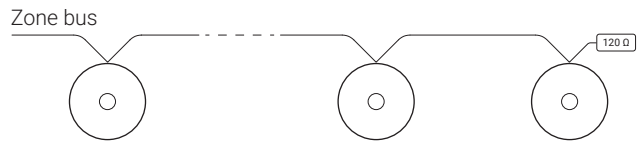
### Modbus (#9)



## Wiring terminals

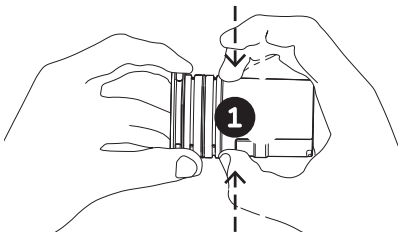


## Bus connection and termination



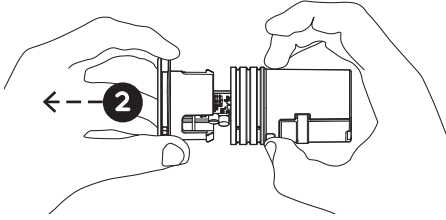
Connect all the mSense in a serial bus configuration (daisy chain) while maintaining the connection of the drain wire. Then, terminate the last sensor by setting the bus termination switch (#0) to ON, ensuring that the drain wire is left disconnected.

## How to disassemble for painting

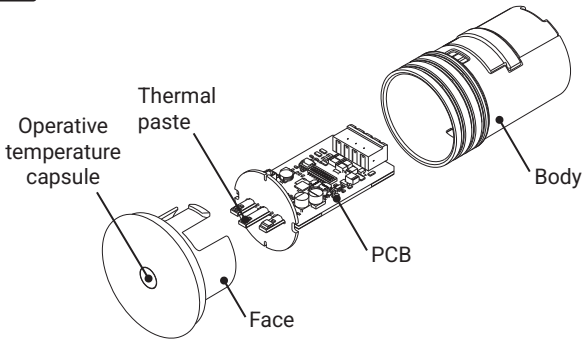


⚠ Only open for painting.

Break the sticker and push the two disassembly tabs at the same time to open.

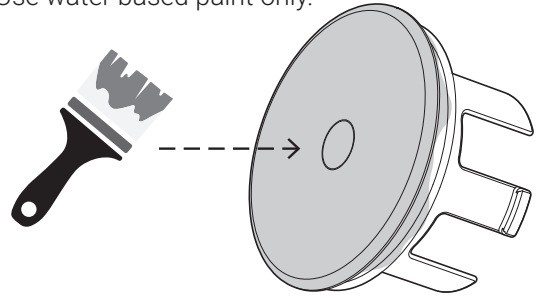


⚠ Do not remove the thermal paste.

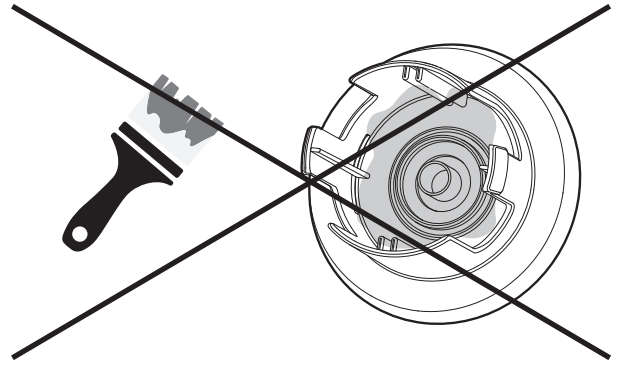


## How to paint the face

⚠ Use water based paint only.

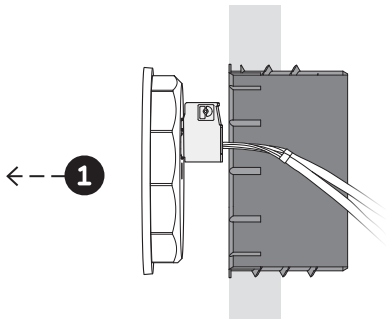


⚠ Do not paint while the sensor is installed in the wall. Disassemble it.

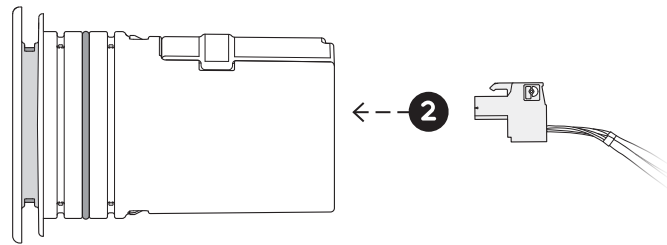


⚠ Do not paint the back side of the mSense face.

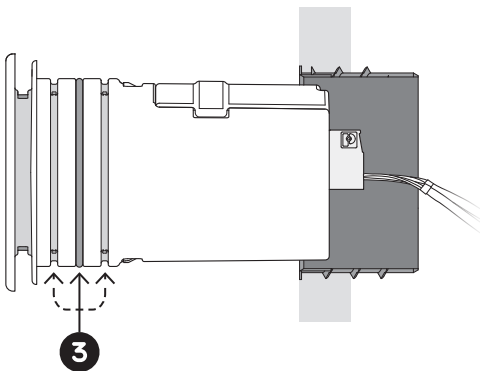
## Wall installation



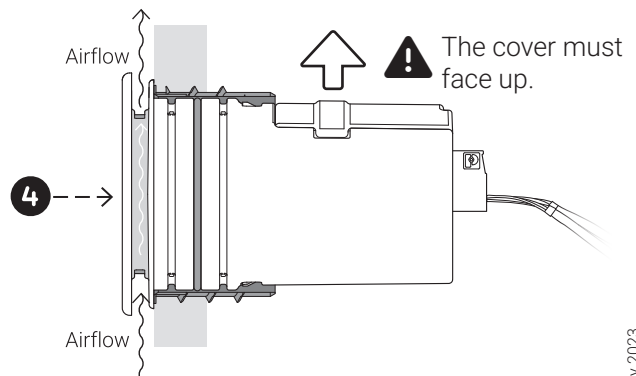
Remove the O-in™ protection cap from adapter sleeve.



Extract the previously wired connector and plug into the mSense.



Push the mSense into the O-in™ adapter sleeve. Depending on the wall finishing, you may need to move the o-ring to ensure the correct grip of the sensor.



⚠ During insertion, keep the ventilation opening on the face of the mSense perpendicular to the floor as shown in the picture.