

CPR4IN1

Caleffi 539 PRV, 80°C, 4 in 1, 20mm



Technical Specification

Combined group for pressure control in domestic water systems.

With integrated check valve, ball valve and linestrainer.

Material: dezincification resistant brass DR "low lead". EN 12165

CW724R.

Pressure reducing valve certified to EN 1567.

Check valve certified to EN 13959.

Maximum upstream pressure: 1600kPa.

Maximum working temperature: 80°C.

Adjustment pressure range: 100-500kPa.

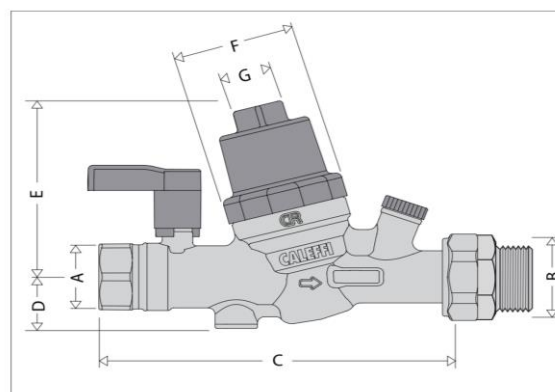
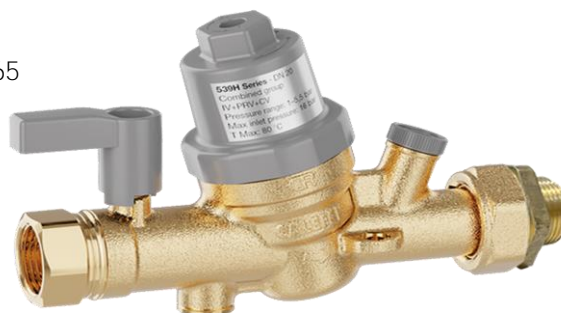
Factory setting: 300 kPa.

Pressure test port upstream and pressure test port downstream (G 1/4")

Self-contained replaceable cartridge.

Connections: Inlet - 20mm Female. Outlet - 20mm Male.

LOW LEAD ready as an acceptable solution for G12/AS1



Code	DN	A	B	C	D	E	F	G	Mass (kg)
539 050H	20	3/4"	1"	151,2	24,5	83,7	Ø 54	22	0,8

Application

The Caleffi 539 PRV, 80°C, 4 in 1, 20mm is used in plumbing systems to control water pressure and is installed mostly to feed a bathroom.

Warranty

[Download the latest warranty statement](#)

Features

The combined group for pressure control in domestic water systems combines different devices into one, easy to install component. Compact, self contained body, reduces the risk of leaks at connection points.

1. Ball shut-off valve.
2. Pressure reducing valve.
3. Strainer.
4. Check valve.

Installed on the pipe supplying hot or cold water to the users, it reduces the pressure of the water coming from the mains network, prevents the backflow of water into the mains system and allows users to be shut off during testing and maintenance procedures.