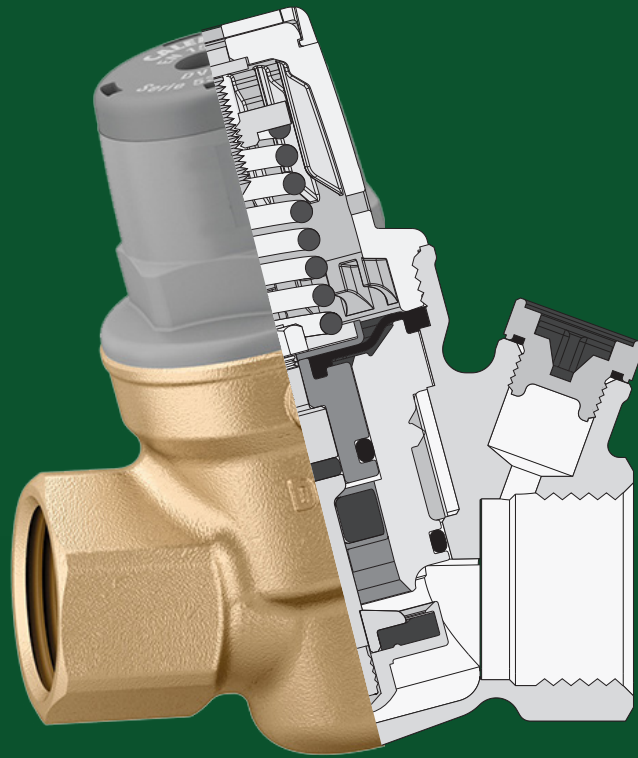


CALEFFI

Hydronic Solutions



GENERAL
PLUMBING



Powered by

WATERWARE



waterware.co.nz

THE CALEFFI & WATERWARE STORY

1960s

Caleffi founded by Francesco Caleffi in Fontaneto d'Agogna, Italy in 1961. Initial focus started with manufacturing manifold and fittings and valves (made of brass).

Caleffi moved its head office to Fontaneto d'Agogna, where it still is today. Introduced first zone valves and balancing valves for hydronic systems.

1970s

Aquired Pressco, a brass hot forging company and the first foreign subsidiary, Caleffi Armaturen GmbH, was opened near Frankfurt in Germany.

1980s



1984: Waterware began its successful partnership with Caleffi introducing the 520 series tempering valve.

The 1990's also saw rapid growth in Italy and on export markets. In 1996 To secure space for future expansion of manufacturing, Caleffi acquired the factory in Gattico. The factory was 13,000 m² in size at the time, and occupied grounds of 135,000 m². This site permitted extension of the factory to over 38,750 m² in several steps until 2024.

1990s

1990: Waterware started supplying central heating products.

1992: Waterware developed the first combo valve kit for the New Zealand market.



2000s

New commercial initiatives ensured that the Caleffi name and trade mark are recognised throughout the world. Among the latest is the opening of sales offices in South America, China and Russia, three markets with tremendous potential.

2009

Caleffi continues to invest in innovations which benefit its customers. The new Automatic Vertical Warehouse (MAV), located near the existing premises in Fontaneto d'Agogna, was opened; this will improve customer service by optimising logistics processes.

Introduced modular hydronic systems and high-efficiency circulators. 2011 Celebrated 50 years in business and Italy's top mid-sized employer award.

2010s

2020s

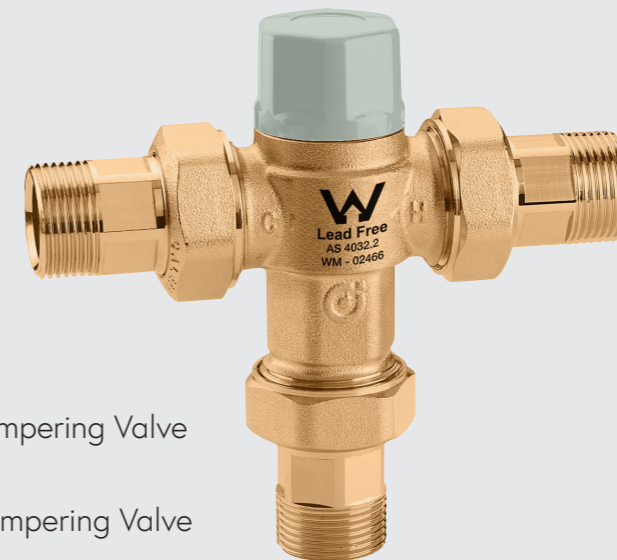
Expanded IoT connectivity and remote control features on products. 2023 and beyond - Continued focus on sustainable and smart hydronic solutions.

By the end of 2025 the overall Fontaneto factory extensions will be over 50,000m².



2023: Waterware relaunches a consolidated Caleffi range, focusing on the highest quality product for the New Zealand market.

PRODUCT CATALOGUE TEMPERING



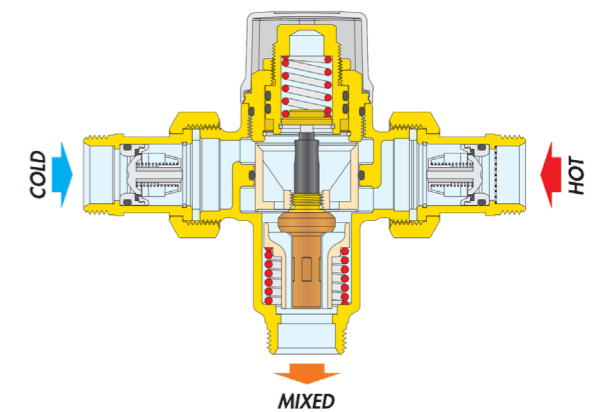
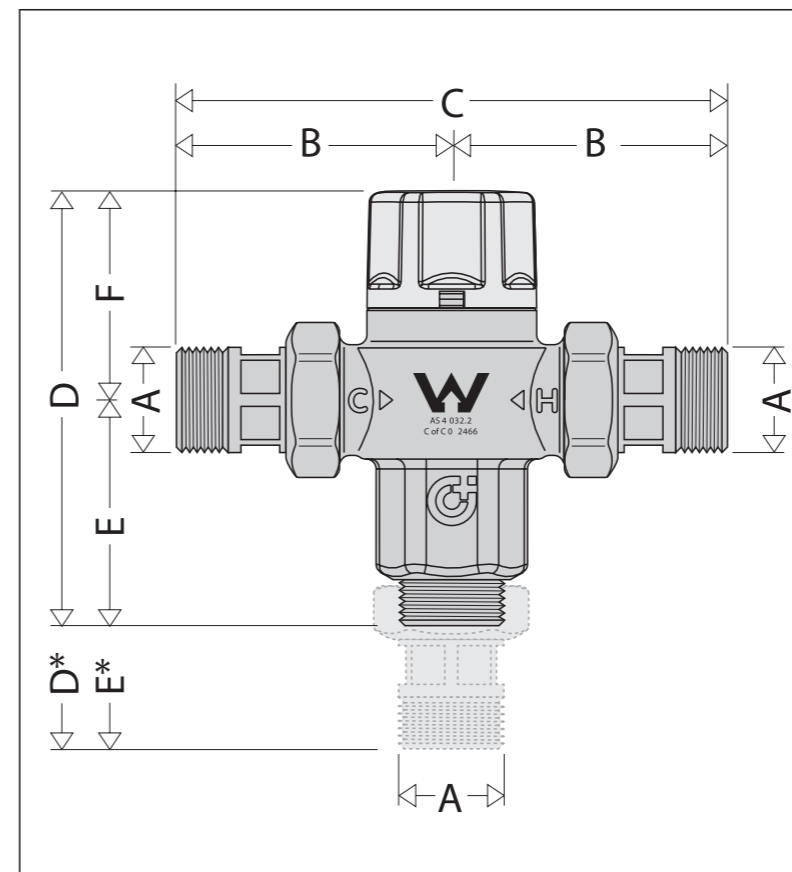
CTV15
15mm Tempering Valve

CTV20
20mm Tempering Valve

CTV25
25mm Tempering Valve

TECHNICAL SPECIFICATION

- Temp Adjustment Range 30 - 50°C
- Temp Control +/- 3°C
- Max inlet Temp. 85°C
- Hot and cold side check valves
- Operating Press. (Dynamic) Range 20 - 500kPa
- Max Working Pressure (Static) 1400kPa
- Max. unbalanced dynamic supply differential 6:1
- Min. flow rate 4L/min
- Min. Operating Temp. Differential for thermal shutoff 10°C
- Material DZR Alloy EN 12165 CW602N
- Approvals: Certified to AS 4032.2



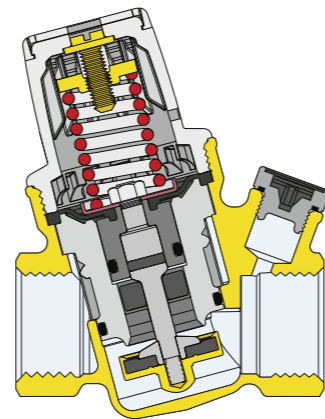
Code	CTV15	CTV20	CTV25
A	ø15	ø20	ø25
B	62,5	69	85,5
C	125	138	171
D	91	126,5	166,5
E	48,5	84	102,5
F	42,5	42,5	64



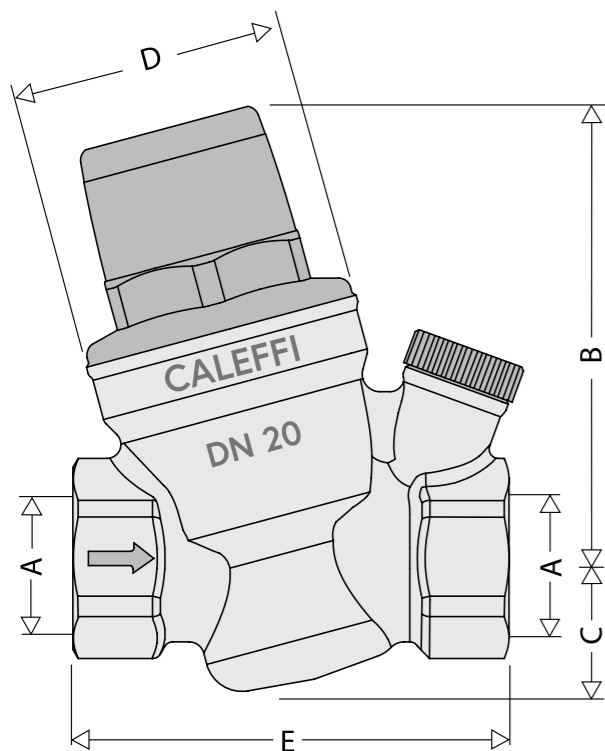
TECHNICAL SPECIFICATION

- Body: DZR Brass EN 12165 CW602N
- Control Spindle: Stainless steel EN 10088-3
- Cartridge: PPS-PSU
- Internal components: DZR EN 12165 CW724
- Strainer: stainless steel EN10088-2 (AISI 304)
- Max. upstream pressure: 2000kPa
- Downstream pressure setting range: 100kPa - 600kPa
- Factory setting: 500kPa
- Max. working temperature: 80°C
- Medium: water
- **Connections:**
 - Main connections: 1/2" F
 - Pressure gauge connection: 1/4" F (ISO 228-1)
- Approvals: Certified to AS 1357.2

- CPR15**
15mm Pressure Reducing Valve
- CPR20**
20mm Pressure Reducing Valve
- CPR25**
25mm Pressure Reducing Valve



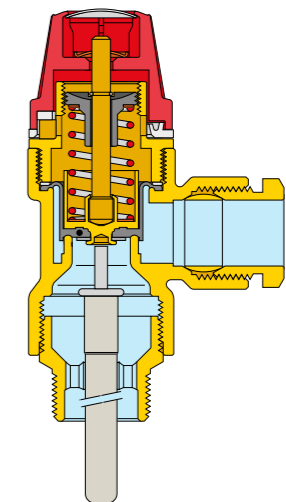
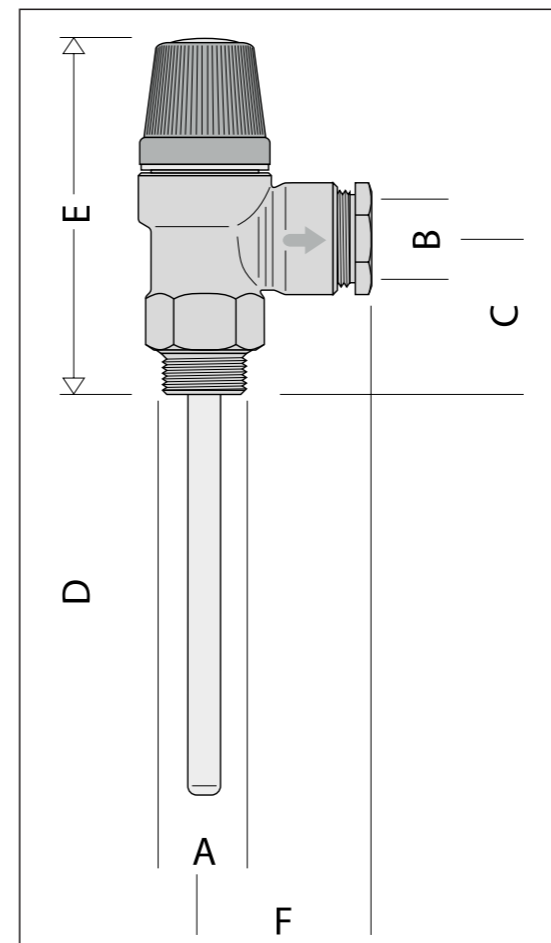
Code	CPR15	CPR20	CPR25
DN	15	20	25
A	1/2"	3/4"	1"
B	74,5	74,5	74.5
C	22	22	23
D	ø46	ø46	46
E	70	72	95
Mass (kg)	0,40	0,41	0,54



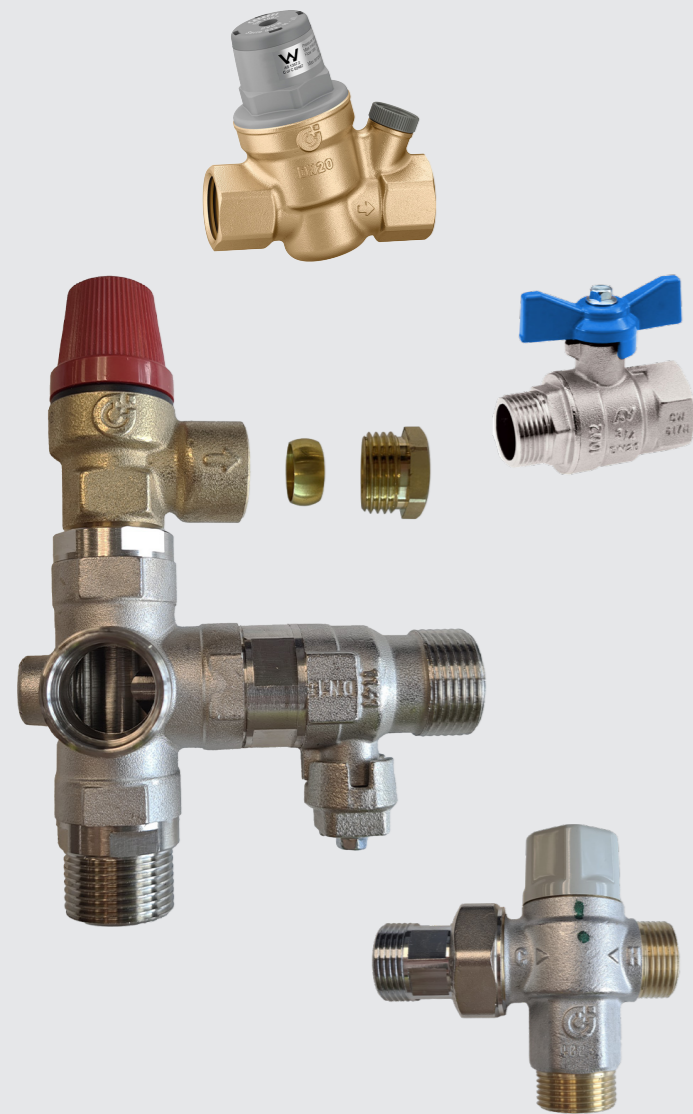
TECHNICAL SPECIFICATION

- Temperature and pressure relief valve.
- CR dezincification resistant alloy body.
- For domestic water system, to protect the hot water storage.
- Set temperature: 90°C
- Discharge rating
 - 1/2" and 3/4" Ø 15; 10 kW
 - 3/4" Ø 22; 25 kW
- Includes nut and olive to fit 15mm NZ copper
- For systems with nominal pressure of 400kPa

- CTPR15-7**
15mm TPR 700kpa
- CTPR15-10**
15mm TPR 1000kpa
- CTPR20-7**
20mm TPR 700kpa
- CTPR20-10**
20mm TPR 1000kpa



Code	CTP15-700	CTP15-1000	CTP20-700	CTP20-1000
A	1/2"	1/2"	3/4"	3/4"
B	ø15	ø15	ø22	ø22
C	40	40	43	43
D	102	205	99	202
E	88	88	91	91
F	39	39	39	39



TECHNICAL SPECIFICATION

Tempering Valve:

- Recommended working pressure (dynamic) 500kPa (balanced)
- Union connector with o-ring seal and cold check valve only
- Temperature range adjustable 30 - 55°C
- Temperature control +/- 3°C
- Max. inlet temperature 85°C
- Min flow rate 4L/min

Pressure Reducing Valve:

- 20mm female connections
- Maximum inlet pressure: 2000kPa
- Downstream pressure setting: 100 - 600kPa
- Factory setting: 500kPa
- Maximum working temperature: 80°C

Safety Relief Valve:

- 15mm inlet x 15mm outlet
- Male/female connections
- 800kPa
- Temperature range: 5 - 110°C
- Body - brass EN 12165 CW617N

Inlet and cold water expansion adaptors can be swapped left to right to provide either left or right hand entry to the manifold. The adaptors use o-ring seals and so do not require thread tape or similar.

20mm male/female ball valve

Integrated cylinder isolator and check valve

COMBO20A
20mm Caleffi Combo Set



TECHNICAL SPECIFICATION

Tempering Valve:

- Recommended working pressure (dynamic) 500kPa (balanced)
- Union connector with o-ring seal and cold check valve only
- Temperature range adjustable 30 - 55°C
- Temperature control +/- 3°C
- Max. inlet temperature 85°C
- Min flow rate 4L/min

Pressure Reducing Valve:

- 20mm female connections
- Maximum inlet pressure: 2000kPa
- Downstream pressure setting: 100 - 600kPa
- Factory setting: 500kPa
- Maximum working temperature: 80°C

Safety Relief Valve:

- 15mm inlet x 15mm outlet
- Male/female connections
- 800kPa
- Temperature range: 5 - 110°C
- Body - brass EN 12165 CW617N

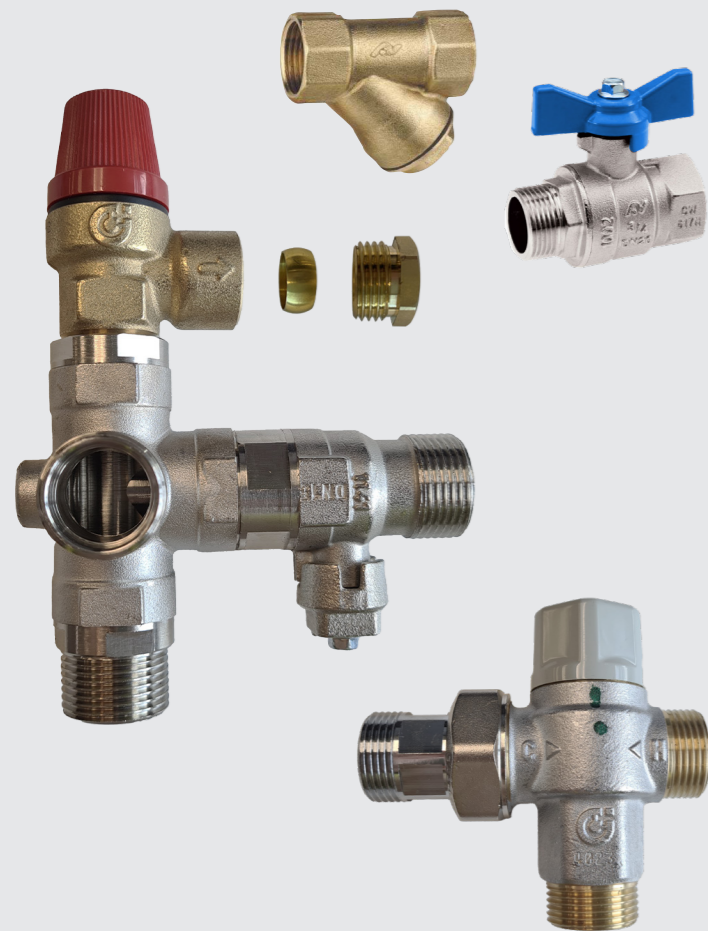
Inlet and cold water expansion adaptors can be swapped left to right to provide either left or right hand entry to the manifold. The adaptors use o-ring seals and so do not require thread tape or similar.

20mm male/female ball valve

20mm male/male ball valve

Inlet manifold + male adaptor + male CV adaptor

COMBO20APBV
20mm Caleffi Combo Set



TECHNICAL SPECIFICATION

Tempering Valve:

- Recommended working pressure (dynamic) 500kPa (balanced)
- Union connector with o-ring seal and cold check valve only
- Temperature range adjustable 30 - 55°C
- Temperature control +/- 3°C
- Max. inlet temperature 85°C
- Min flow rate 4L/min

Safety Relief Valve:

- 15mm inlet x 15mm outlet
- Male/female connections
- 800kPa
- Temperature range: 5 - 110°C
- Body - brass EN 12165 CW617N

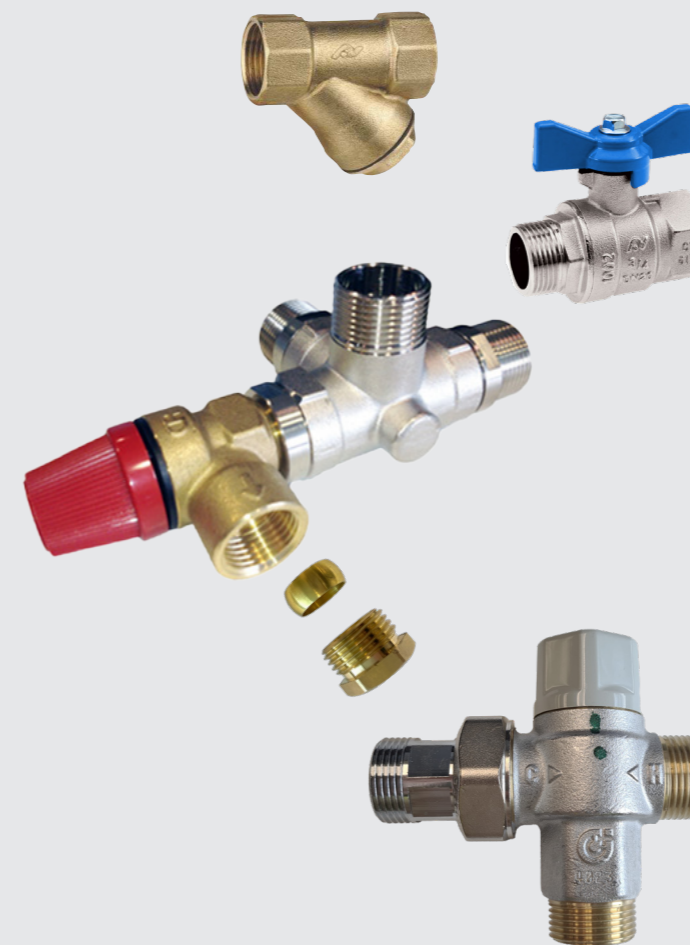
Inlet and cold water expansion adaptors can be swapped left to right to provide either left or right hand entry to the manifold. The adaptors use o-ring seals and so do not require thread tape or similar.

20mm male/female ball valve

20mm Airaga Y strainer

Integrated cylinder isolator and check valve

COMBOPU20A
20mm Caleffi Pump Combo Set



TECHNICAL SPECIFICATION

Tempering Valve:

- Recommended working pressure (dynamic) 500kPa (balanced)
- Union connector with o-ring seal and cold check valve only
- Temperature range adjustable 30 - 55°C
- Temperature control +/- 3°C
- Max. inlet temperature 85°C
- Min flow rate 4L/min

Safety Relief Valve:

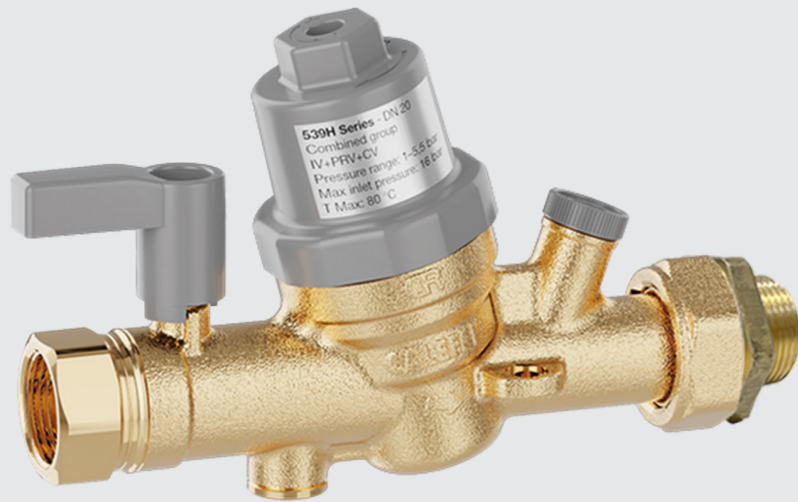
- 15mm inlet x 15mm outlet
- Male/female connections
- 800kPa
- Temperature range: 5 - 110°C
- Body - brass EN 12165 CW617N

Inlet and cold water expansion adaptors can be swapped left to right to provide either left or right hand entry to the manifold. The adaptors use o-ring seals and so do not require thread tape or similar.

20mm male/female ball valve

Inlet manifold + male adaptor + male CV adaptor

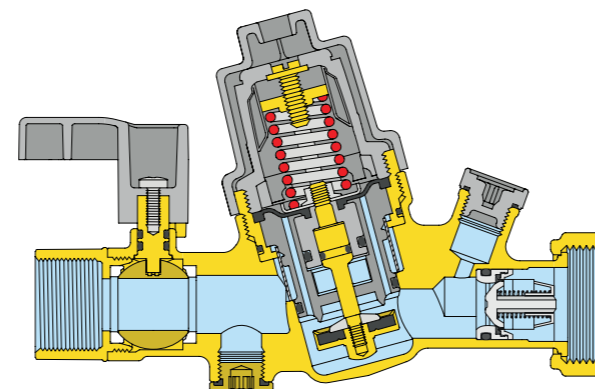
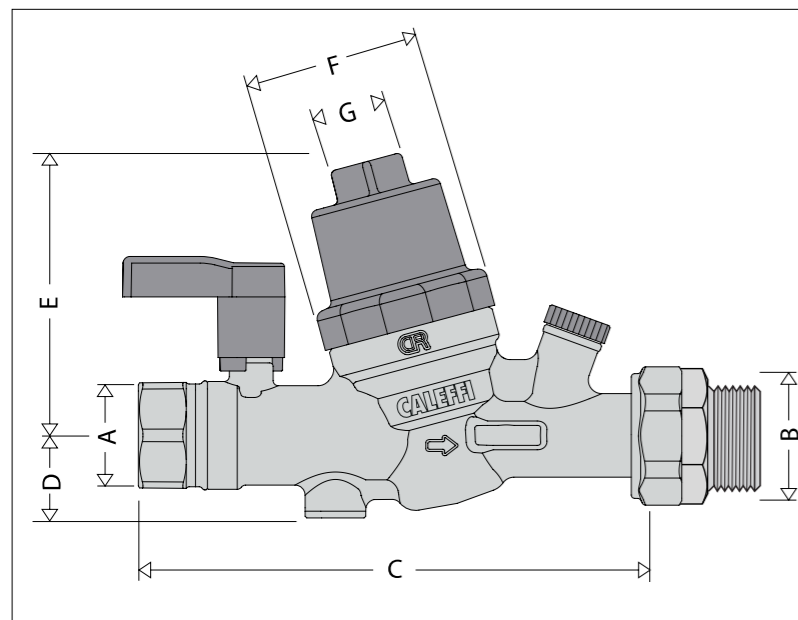
COMBOPU20AP
20mm Caleffi Pump Combo Set



TECHNICAL SPECIFICATION

- Combined group for pressure control in domestic water systems.
- With integrated check valve, ball valve and linestrainer.
- Material: dezincification resistant brass DR "low lead". EN 12165 CW724R.
- Pressure reducing valve certified to EN 1567.
- Check valve certified to EN 13959.
- Maximum upstream pressure: 1600kPa.
- Maximum working temperature: 80°C.
- Adjustment pressure range: 100-500kPa.
- Factory setting: 500 kPa.
- Pressure test port upstream and pressure test port downstream (G 1/4")
- Self-contained replaceable cartridge.
- Connections: Inlet - 20mm Female. Outlet - 20mm Male.
- **LOW LEAD** ready as an acceptable solution for G12/AS1

CPR4IN1
533 Series 20mm Inlet Set



Code	DN	A	B	C	D	E	F	G	Mass (kg)
539 050H	20	3/4"	1"	151,2	24,5	83,7	Ø 54	22	0,8

WHY IS CALEFFI GOING LOW LEAD?

- **Regulations:** Several countries, including New Zealand, Australia, the United States and Canada, are implementing stricter limits on lead content in plumbing products. The new law defines "lead-free" as a weighted average of 0.25% lead or less in wetted surfaces, significantly lower than previous allowances.
- **Health concerns:** Lead exposure, even at low levels, can have harmful health effects, particularly for children and pregnant women. By eliminating lead from their products, Caleffi contributes to safer drinking water and protects public health.
- **Market demand:** Customers are increasingly seeking lead-free options for their plumbing systems due to growing awareness of health risks and regulatory changes.

BENEFITS

Protect Your Health:

- **Improved water quality:** Eliminates the risk of lead leaching, preventing harmful health effects for all, especially children and pregnant women.
- **Peace of mind:** Knowing your lead-free plumbing reduces anxiety and fosters a healthier living environment.

Be Compliant, Stay Ahead:

- **Meet regulations:** Avoid legal issues and installation delays by staying ahead of current and future lead content restrictions. Future-proof your investment: Lead-free products ensure long-term compliance and compatibility with stricter regulations.

Enjoy Additional Value:

- **Great for your image:** Demonstrate a commitment to sustainability and environmental responsibility, boosting your brand's reputation. More comprehensive product selection: Caleffi offers a vast range of lead-free solutions for various plumbing needs.

The Responsible Choice:

- **Invest in healthier communities:** Contribute to safer drinking water for everyone by supporting lead-free initiatives. Future-proof your plumbing system: Enjoy peace of mind and avoid health risks and compliance issues.

By choosing Caleffi's lead-free products, you gain more than just compliance – you prioritize health, contribute to a sustainable future, and invest in a smarter, safer plumbing system.



LOW LEAD

Proud members of



WATERWARE

waterware.co.nz
info@waterware.co.nz
+64 9 273 9191

