

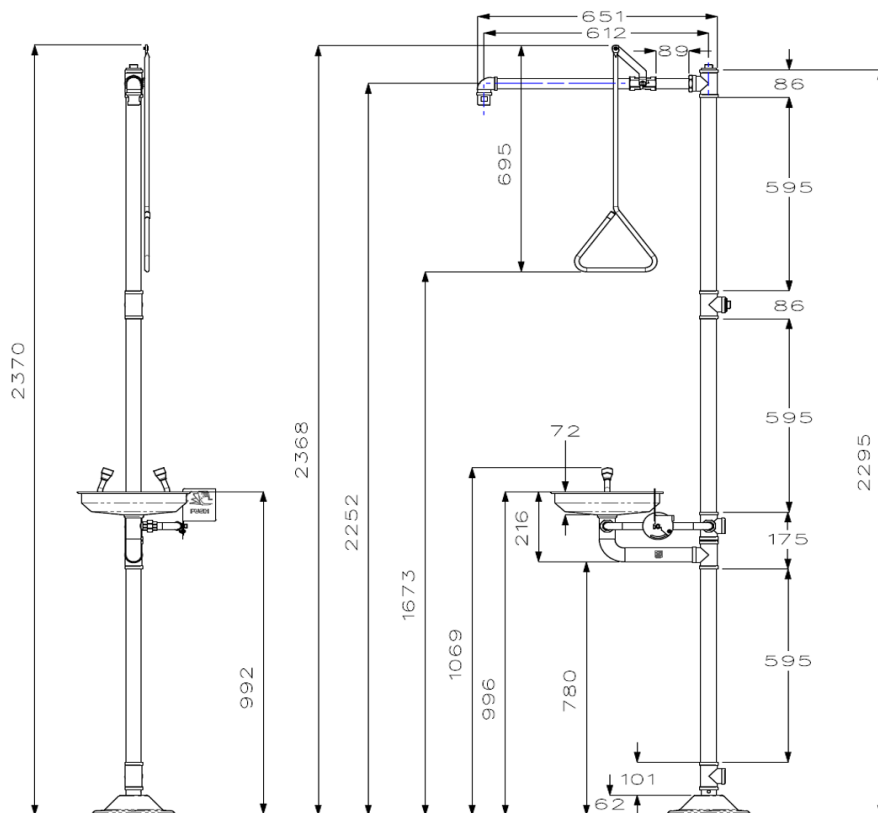
GTECO1000EXP

ECOSAFE Combination Shower and Eye Wash with Stainless Steel Bowl



Technical Specification

- Materials: 304 Stainless steel
- Outlet (Shower): Drench shower at least 75.7L/min
- Outlet (Eye Wash): Laminar flow min. 11.4L/min
- Working Pressures: 200kPa - 500kPa
- Working Temperatures: 16°C - 38°C
- Finish / Colour: Polished stainless steel



Warranty

[Download the latest warranty statement](#)

Features

- Signs included with the product
- Laminar flow in eyewash uses zero vertical velocity to provide gentler experience
- Water distribution pattern in the showerhead and the flow holes are designed to prevent any lime build-up or restrictions
- Shower spray has a minimum diameter of 50.8cm for complete coverage
- Valves available for temperatures in excess of 38°C
- Recommended for science, education and industrial projects