

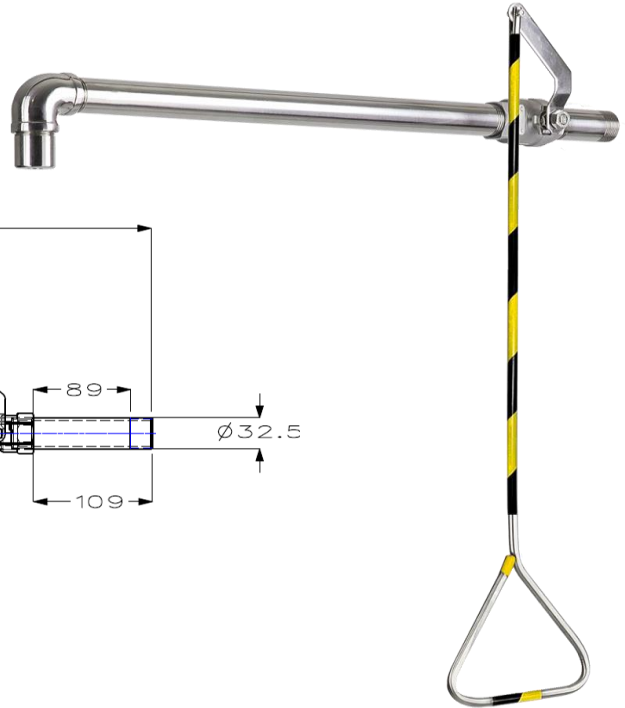
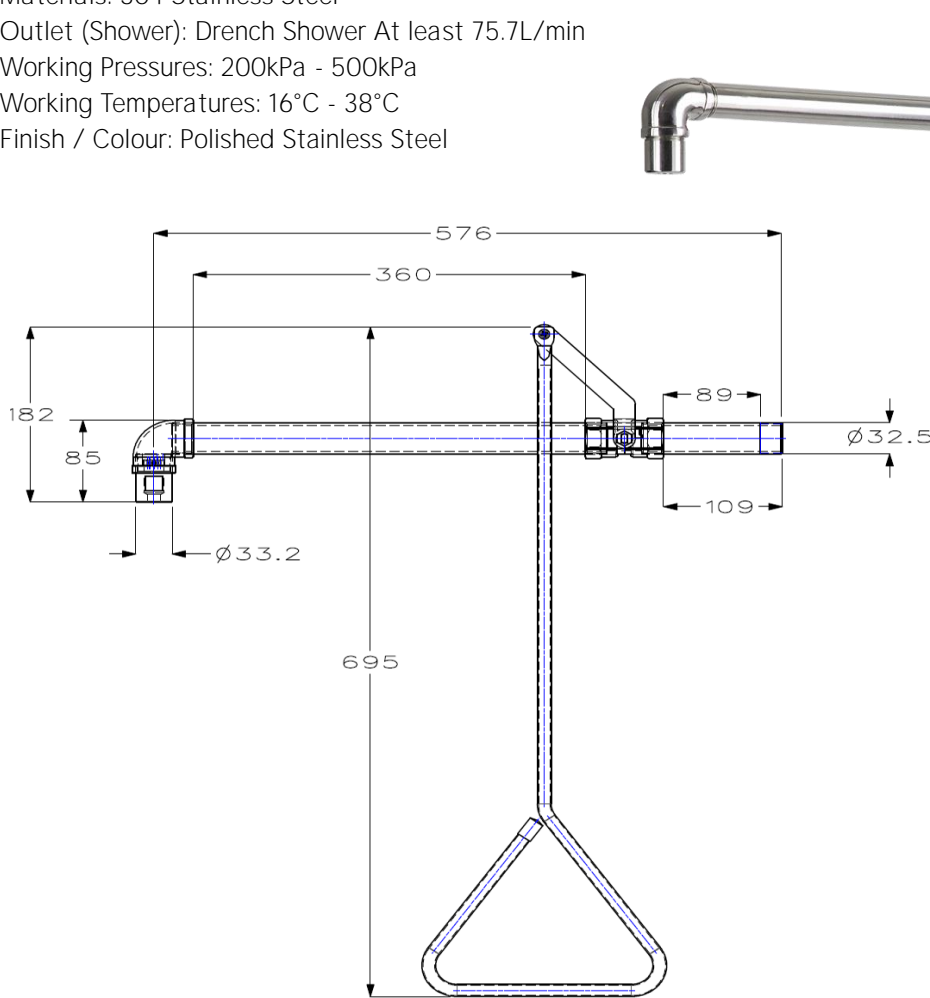
GTECO2000EXP

ECOSAFE Horizontal or Vertical Mounted Drench Shower with Stainless Steel Shower Head



Technical Specification

- Materials: 304 Stainless Steel
- Outlet (Shower): Drench Shower At least 75.7L/min
- Working Pressures: 200kPa - 500kPa
- Working Temperatures: 16°C - 38°C
- Finish / Colour: Polished Stainless Steel



Warranty

[Download the latest warranty statement](#)

Features

- Signs included with the product
- Water distribution pattern in the showerhead and the flow holes are designed to prevent any lime build-up or restrictions
- Shower spray has a minimum diameter of 50.8cm for complete coverage
- Water pressure regulated for optimal results without being damaging.
- Valves available for temperatures in excess of 38°C
- Recommended for science, education and industrial projects