

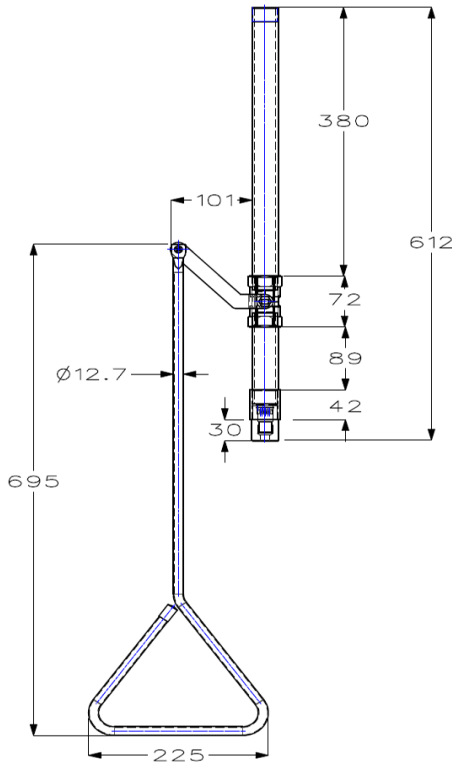
# GTECO2010EXP

ECOSAFE Ceiling Mounted Drench Shower with Pull Rod and Stainless Steel Shower Head



## Technical Specification

- Materials: 304 Stainless Steel
- Outlet (Shower): Drench Shower At least 75.7L/min
- Working Pressures: 200kPa - 500kPa
- Working Temperatures: 16°C - 38°C
- Finish / Colour: Polished Stainless Steel



## Warranty

[Download the latest warranty statement](#)

## Features

- Signs included with product
- Water distribution pattern in shower head and the flow holes are designed to prevent any lime build up or restrictions
- Shower spray has a minimum diameter of 50.8cm for complete coverage
- Water pressure regulated for optimal results without being damaging.
- Valves available for temperatures in excess of 38°C
- Recommended for science, education and industrial projects