

GTECO4000EXP

ECOSAFE Floor Mounted Pedestal with Stainless Steel Bowl



Technical Specification

Materials: Stainless Steel (SS304), Plastic

Cartridge: Ball Valve

Cartridge Size: 15mm

Inlet: 15mm Female (G 1/2" BSP)

Outlet: Laminar Flow

Working Pressures: 150kPa-500kPa

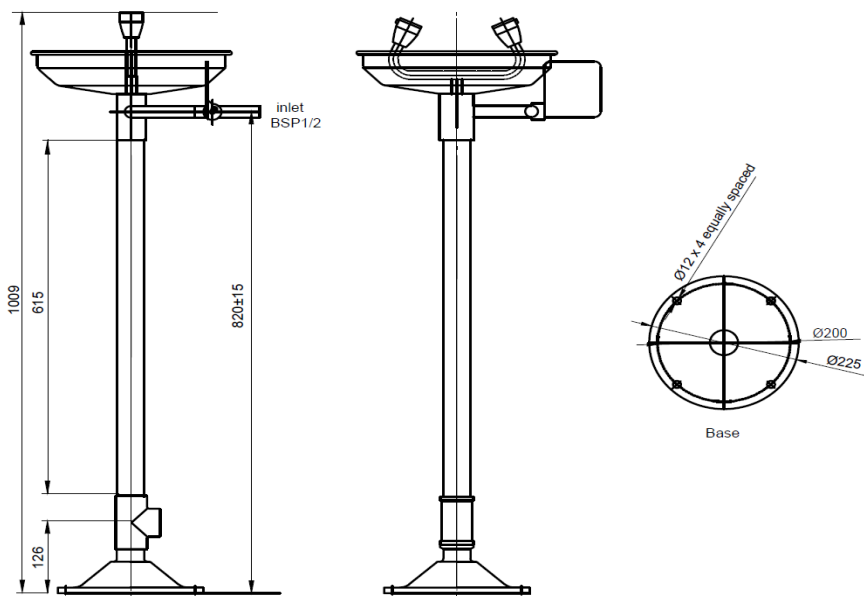
Recommended Working Pressures: 350kPa

Working Temperatures: 16°C - 38°C

Finish / Colour: Polished Stainless Steel

Eyewash Flow Rate: ≤11.4L/min

Warranty: 5 years



Warranty

[Download the latest warranty statement](#)

Features

Signs & test tags included with product

Laminar flow in eye wash provides gentler experience

Temperature relief valves available for temperatures outside of 16°C - 38°C

Recommended for science, education and industrial projects