

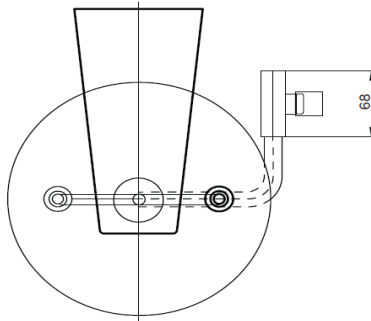
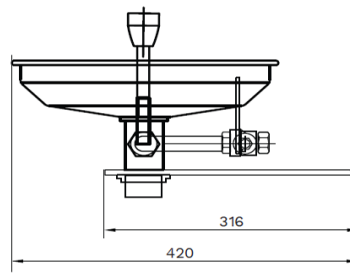
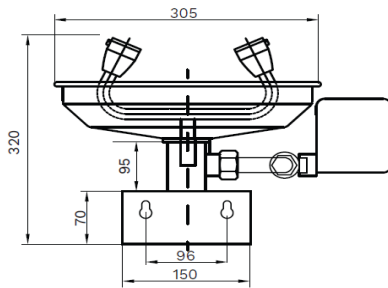
GTECO4010EXP

ECOSAFE Wall Mounted Eye Wash with Stainless Steel Bowl



Technical Specification

- Materials: Stainless Steel (SS304), Plastic
- Cartridge: Ball Valve
- Cartridge Size: 15mm
- Inlet: 15mm Female (G 1/2" BSP)
- Outlet: Laminar Flow
- Working Pressures: 150kPa - 500kPa
- Recommended Working Pressures: 350kPa
- Working Temperatures: 16°C - 38°C
- Finish / Colour: Polished Stainless Steel
- Eyewash Flow Rate: ≤11.4L/min



Warranty

[Download the latest warranty statement](#)

Features

- Signs & Test Tags included with product
- Laminar flow in eye wash provides gentler experience
- Temperature relief valves available for temperatures outside of 16°C - 38°C
- Recommended for science, education and industrial projects