

GTGPJ5600

GPure Jetflo Stainless Steel Wall Mounted Pre-Rinse Unit with Pot Filler & Exposed Mixing Breech



Technical Specification

Material: Riser - Stainless steel (SS304), Wall mixer - Stainless steel (SS316)

Cartridge: Ceramic disc

Cartridge Size: 15mm

Inlet: 15mm female (G1/2" BSP)

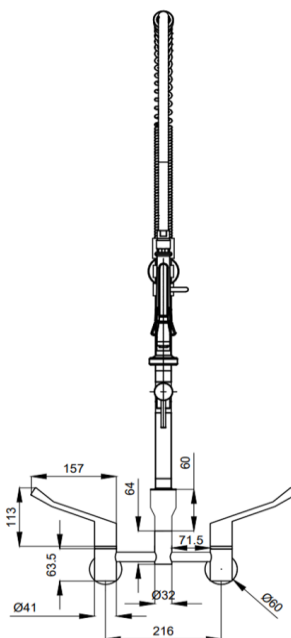
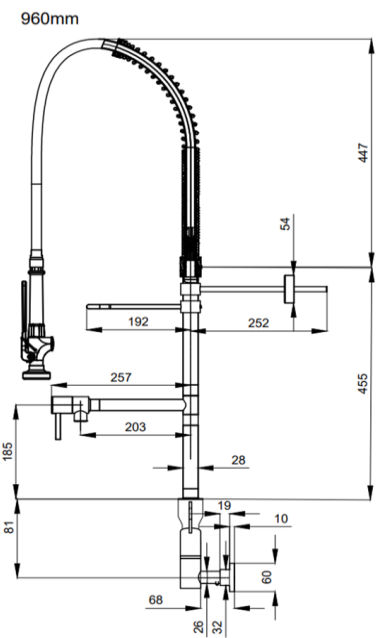
Outlet: Blade Spray / Laminar Flow

Working Pressures: 150kPa - 500kPa

Working Temp Range: 5 - 80°C

Colour: Chrome plated

WELS 6 Star 3L/min



Warranty

[Download the latest warranty statement](#)

Features

100mm lever handles

Lead free

Jet spray in the trigger spray is created with a stainless steel blade that retains its shape for longer and provides an easier clean with less water use

The soft, easy-to-clean hose provides flexibility and ease-of-use

Soft spring for easy operation

Double check valve

Recommended for commercial kitchens