

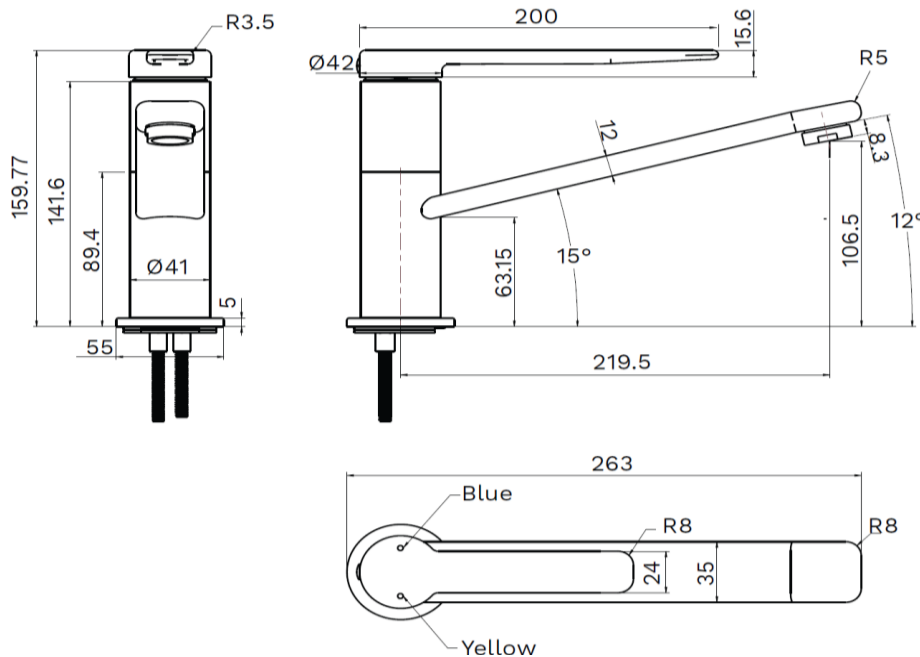
# GTGPN3500D

GPure Stainless Steel Bench Mounted Low Line  
Care Basin Mixer



## Technical Specification

- Materials: Stainless steel (SS304)
- Cartridge: Ceramic disc
- Cartridge Size: 25mm
- Inlet: 15 mm Female flexible connections (G1/2" BSP)
- Outlet: Laminar flow
- Working Pressures: 150kPa-500kPa
- Rec. Working Pressures: 350kPa
- Working Temperatures: 5°C - 80°C
- Finish/Colour: Polished stainless steel
- WELS: 5 Star 6L/min



## Warranty

[Download the latest warranty statement](#)

## Features

- Care single lever
- Lead free
- Soft close operation
- Stainless steel can be rejuvenated at any time over the life of the product
- Environmentally friendly, no electroplating processes used throughout the product lifecycle
- Laminar flow to reduce aerosol at the outlet
- Supplied with SS316 PEX inlet hoses
- Recommended for commercial, health and hospitality projects