

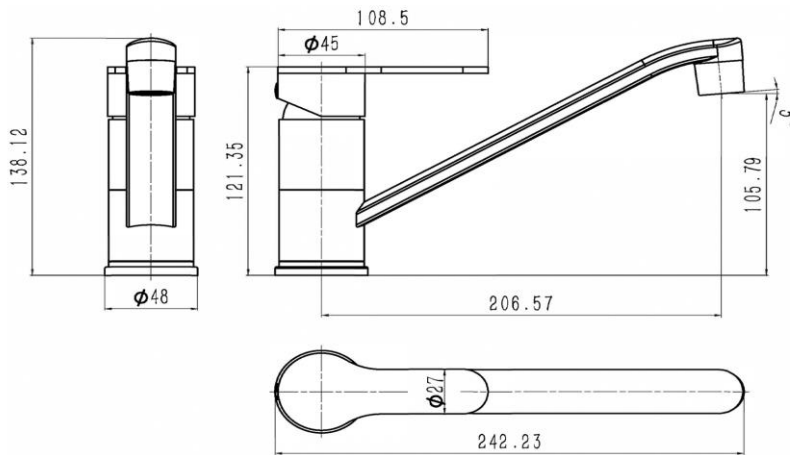
GTGPR3500

GPure Rebel Stainless Steel Bench Mounted Low Line Swivel Sink



Technical Specification

- Materials: Stainless Steel (SS304)
- Cartridge: Ceramic disc
- Cartridge Size: 35mm
- Inlet: 15 mm Female Flexible Connections (G1/2" BSP)
- Outlet: Laminar Flow
- Working Pressures: 50kPa-500kPa
- Rec. Working Pressures: 350kPa
- Working Temperatures: 5°C - 80°C
- Finish/Colour: Polished Stainless Steel
- WELS: 4 Star 7.5L/min



Warranty

[Download the latest warranty statement](#)

Features

- Single lever
- Yellow and blue printed handle
- Lead Free
- Soft close operation
- Printed indicators eliminate crevices for bacteria build up
- Stainless steel can be rejuvenated at any time over the life of the product
- Environmentally friendly, no electroplating processes used throughout the product lifecycle
- Laminar flow to reduce aerosol at the outlet
- Supplied with SS316 PEX inlet hoses
- Recommended for commercial, health and hospitality projects