

GTMVPM10100

Tempset Thermostatic Bench Mounted Basin Mixer
with 100mm Lever



GENTEC

Technical Specification

Material: Brass, stainless steel

Cartridge: Thermostatic

Inlet: 15mm Male (G 1/2" BSP)

Outlet: N/A

Working Pressures: 50kPa - 500kPa

Rec. Working Pressure: 350kPa

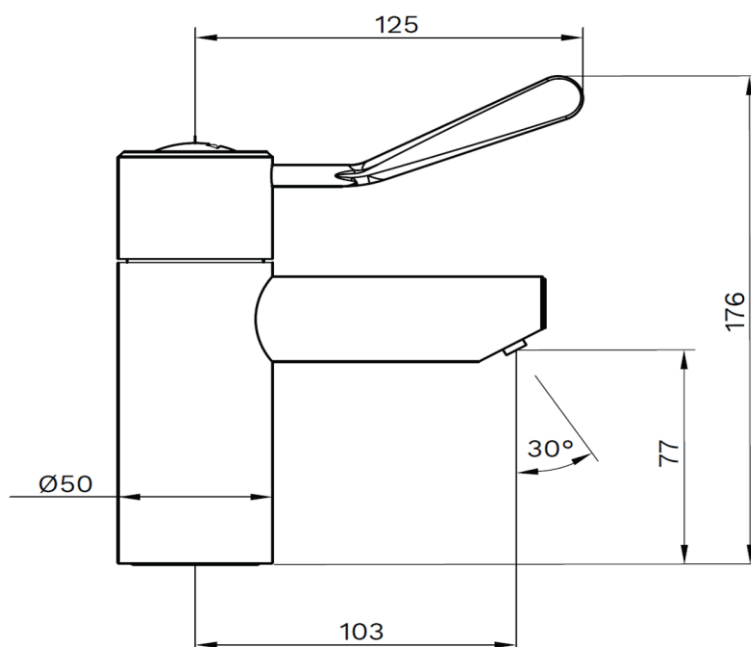
Working Temperatures: 10°C - 50°C

Mixed Outlet Temperature: 35°C - 50°C

Hot Inlet Temperature Min 55°C - Max 80°C

Max Differential Inlet Pressure: 10:1 Ratio

Finish: Chrome-plated



Warranty

[Download the latest warranty statement](#)

Features

Point-of-use to reduce risk of legionella

Thermostatic valve is located under the handle for easy maintenance

100mm lever

Supplied with strainers, and non-return/isolating valves

Recommended for health projects