

# GTMVPM20100

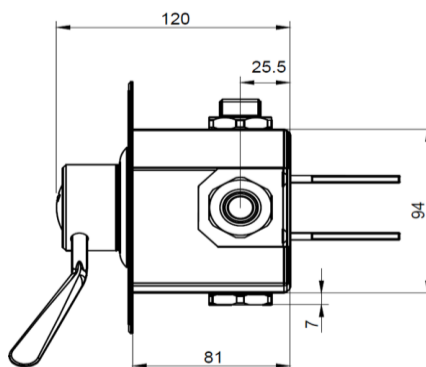
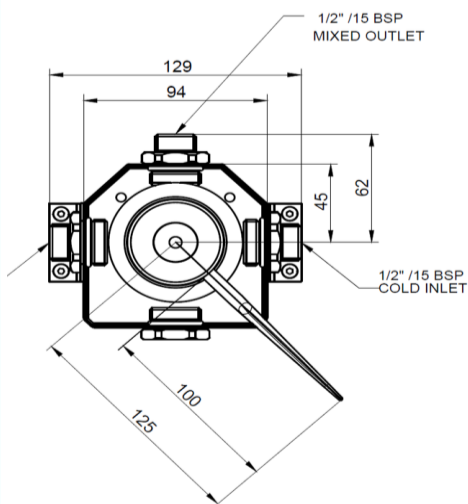
Tempset Thermostatic Recessed Shower or Bath Mixer Control Valve 100mm Lever



**GENTEC**

## Technical Specification

- Material: Brass, stainless steel
- Cartridge: Thermostatic
- Inlet: 15mm Male (G 1/2" BSP)
- Outlet: N/A
- Working Pressures: 50kPa - 500kPa
- Rec. Working Pressure: 350kPa
- Working Temperatures: 10°C - 50°C
- Mixed Outlet Temperature: 35°C - 50°C
- Hot Inlet Temperature Min 55°C - Max 80°C
- Max Differential Inlet Pressure: 10:1 Ratio
- Finish: Chrome-plated



## Warranty

[Download the latest warranty statement](#)

## Features

- Point-of-use to reduce risk of legionella
- Thermostatic valve is located under the handle for easy maintenance
- 100mm lever
- Supplied with strainers, and non-return/isolating valves
- Recommended for health projects