

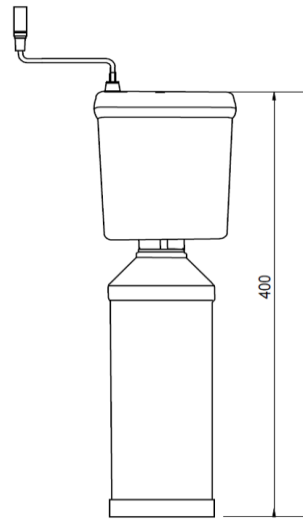
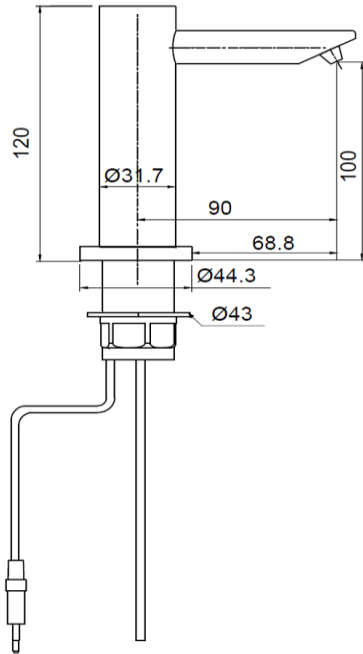
GTSTS1020

Smartec Sensor Electronic Bench Mounted Soap Dispenser



Technical Specification

- Material: Brass, plastic solenoid valve
- Finish: Chrome-plated
- Run time: 1.5 seconds (auto on/off)
- Rec. Working Pressure: 350kPa
- Outlet: Free flow
- 12 Volt Soap Pump



Warranty

[Download the latest warranty statement](#)

Features

- Run time and sensitivity is programmable
- This design matches the GTSTS1500BM
- Mains Powered option only
- Simple installation
- Individual soap bottle is easily removable for refilling and servicing
- Recommended for all projects