

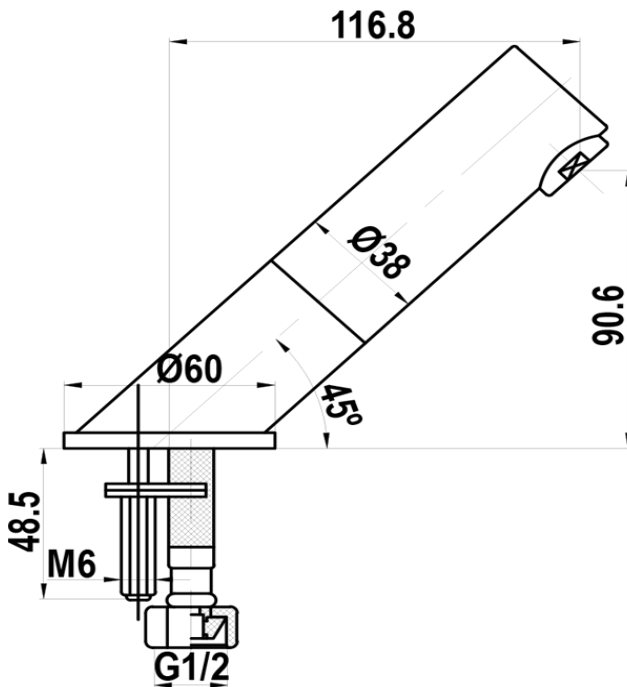
GTSTS1500BM

Smartec Sensor Electronic Single Temperature
Bench Mounted Angled Basin Tap



Technical Specification

- Material: Brass, plastic solenoid valve
- Inlet: 15mm flexible connection
- Outlet: 15mm aerator
- Run time: 2 seconds (auto on/off)
- Working Pressures: 50kPa - 500kPa
- Rec. Working Pressure: 350kPa
- Working Temperatures: 5°C - 50°C
- Valve: 6 Volts solenoid (15mm connection)
- Finish: Polished/satin



Warranty

[Download the latest warranty statement](#)

Features

- WELS 6 Star 6L/min
- Hygiene flush included to assist with infection control and reduce risk with Legionella growth
- Run time, sensitivity and hygiene flush is programmable by remote control
- Supplied with inlet strainer and flowcontroller
- Digital technology in sensor
- IP rated control box enclosure houses the solenoid valve and waterproof connections
- Battery only or Battery + Mains option also available (Can be changed after installation)
- Simple installation
- Recommended for all projects