

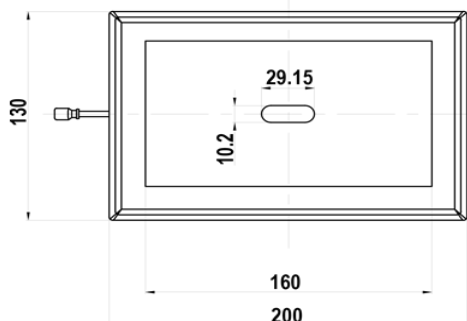
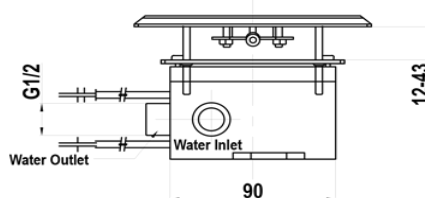
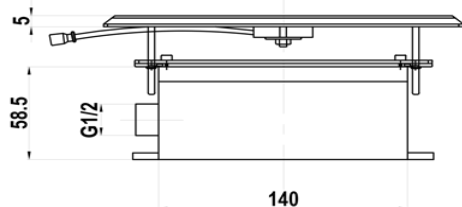
GTSTS4000BM

Smartec Sensor Electronic Single Temperature Wall Mounted Sensor Kit (Concealed Fixings)



Technical Specification

- Material: Stainless steel, brass, plastic solenoid valve
- Run time: 15 seconds Wave on / Wave off
- Inlet: 15mm Male (G1/2")
- Outlet: 15mm Aerator
- Working Pressures: 50kPa - 500kPa
- Working Temperatures: 5°C - 50°C
- Valve: 6 Volts Solenoid (15mm connection)
- Finish: Chrome-plated



Warranty

[Download the latest warranty statement](#)

Features

- WELS 6 Star 6L/min
- Hygiene flush included to assist with infection control and reduce risk with Legionella growth
- Can be used with any spout or outlet
- Front panel of sensor is a magnetic plate which can be removed to access the control box directly behind it
- Adjustable to suit different wall thicknesses
- Run time, sensitivity and hygiene flush is programmable by remote control
- Digital Technology in sensor
- IP rated control box enclosure houses the solenoid valve and waterproof connections
- Battery + Mains or Mains only optional also available (Can be changed after installation)
- Simple installation
- Recommended for all projects