

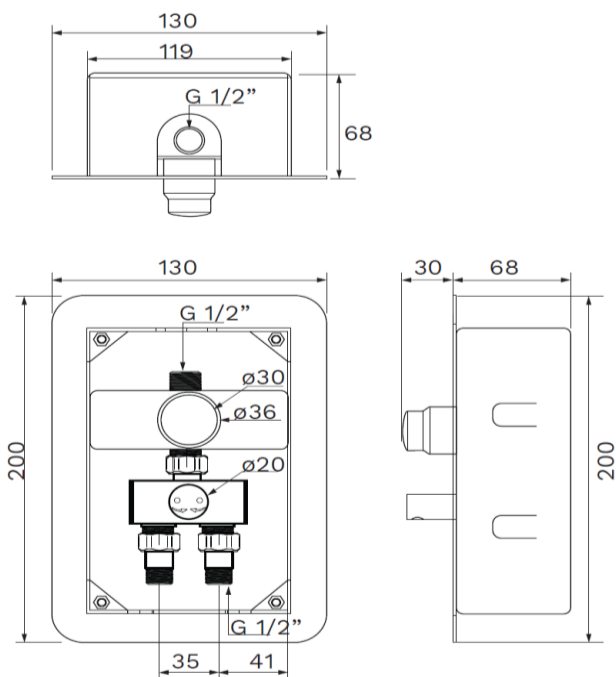
GTTFT1016KIT

Flostop In Wall Dual Temperature Timed Flow Shower Valve with Concealed Enclosure



Technical Specification

- Materials: Valve - DZR brass, enclosure - stainless steel
- Cartridge: Timed flow (hydraulic)
- Cartridge Size: 15mm
- Inlet: 15mm Male (G 1/2" BSP)
- Outlet: N/A
- Run Time: 0-20 (+/-5) Seconds (adjustable)
- Working Pressures: 150kPa-500kPa
- Rec. Working Pressures: 350kPa
- Working Temperatures: 5°C - 50°C
- Finish/Colour: Chrome plated



Warranty

[Download the latest warranty statement](#)

Features

- Run time: 0-20 (+/-5) seconds (Adjustable)
- Temperature blender
- Soft-close, hydraulically operated time flow means that it's suitable for all markets
- Temperature blender
- Designed to be durable and anti-vandal
- Suitable for use in public areas
- One service kit used across the Flostop range for easy maintenance
- Supplied with inlet strainer
- Adjustable Timed Cartridge available
- Recommended for commercial and public projects