

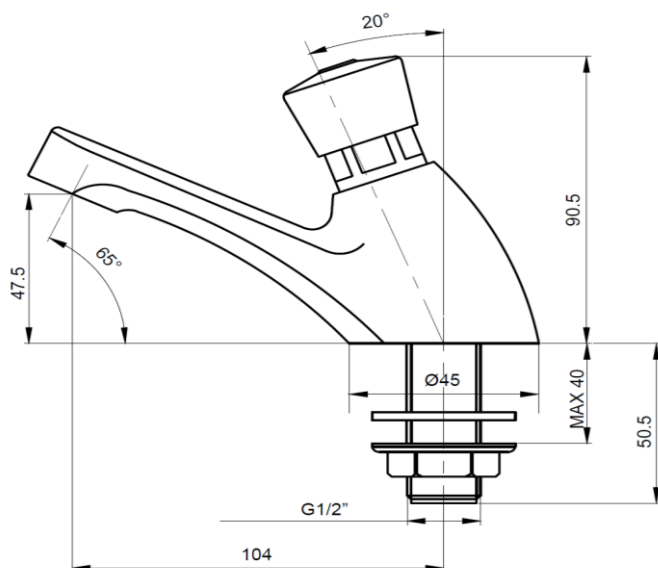
GTTFT1500

Flostop Timed Flow Single Temperature Pillar Tap



Technical Specification

- Materials: Brass
- Cartridge: Timed flow (variable timed delay available)
- Run Time: 4 - 6 seconds
- Inlet: 15mm (Male)
- Outlet: Flow straightener
- Working Pressures: 150kPa-500kPa
- Max Working Temp: 60°C
- Seat: Hydraulic
- Finish/Colour: Chrome plated
- Servicing: Regular maintenance
- WELS: 6 Star 3.5L/min



Warranty

[Download the latest warranty statement](#)

Features

- Run time: 4-6 seconds (up to 60 seconds available)
- Soft close, hydraulically operated time flow suitable for all markets, including childcare
- Concealed aerator
- Three coloured button indicators supplied
- Designed for durability and to be anti-vandal so suitable for use in public areas
- One service kit used across the whole Flostop range
- Supplied with inlet strainer and flow controller
- Recommended for commercial and public projects