

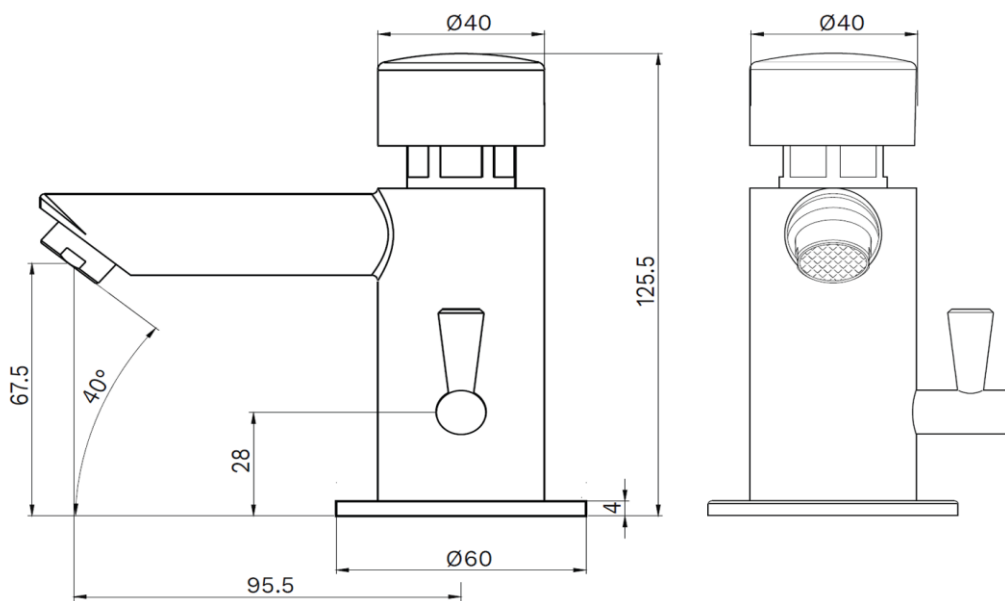
GTTFT2500

Flostop Timed Flow Right Angle Dual Temperature Pillar Tap



Technical Specification

- Materials: DZR brass
- Cartridge: Timed flow (hydraulic)
- Run time: 5 (+/- 1) seconds (Fixed)
- Inlet: 15 mm Female flexible connections (G1/2" BSP)
- Outlet: Aerated flow
- Working Pressures: 150kPa-500kPa
- Working Temperatures: 5°C - 50°C
- Finish/Colour: Chrome plated
- Servicing: Regular maintenance
- WELS: 6 Star 5L/min



Warranty

[Download the latest warranty statement](#)

Features

- Soft-close, hydraulically operated time flow means that it's suitable for all markets
- Concealed aerator
- Designed to be durable and anti-vandal. Suitable for use in public areas
- Up to 0-40 (+/-10) seconds run time available
- One service kit used across the whole Flostop range
- Supplied with inlet strainer and flow controller
- Recommended for commercial and public projects