

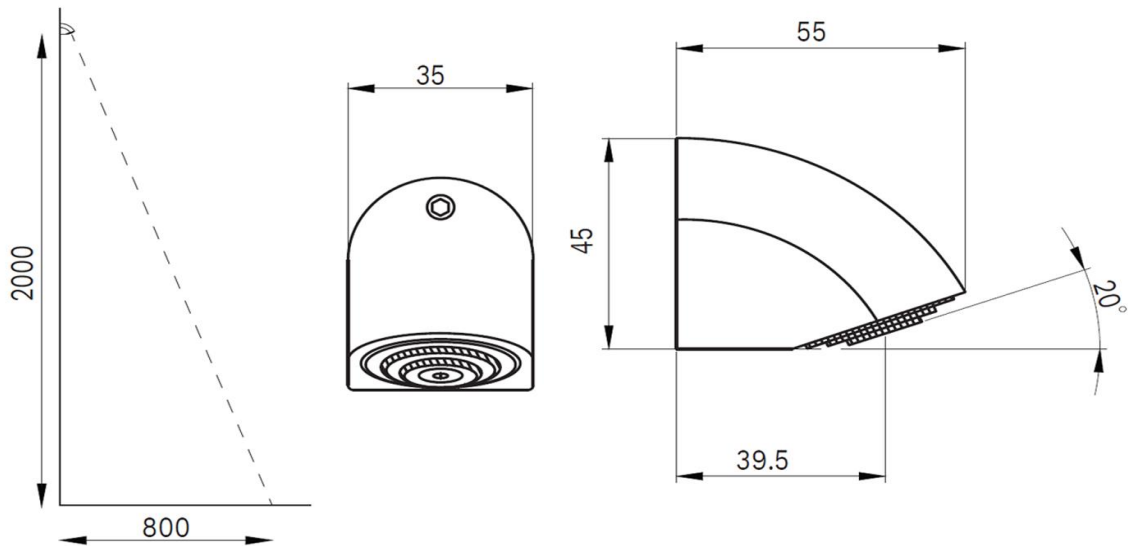
GTTFT6000

Flostop Anti-Vandal Shower Head with Fixed Spray Pattern



Technical Specification

- Materials: Brass
- Inlet: 15mm Female
- Working Pressures: 150kPa-500kPa
- Max Working Temp: 60°C
- Finish/Colour: Chrome plated



Warranty

[Download the latest warranty statement](#)

Features

- Designed for durability and to be anti-vandalso suitable for use in public areas
- Concealed aerator
- One service kit used across the whole range
- Supplied with inlet strainer and flow controller
- Recommended for commercial and public projects