

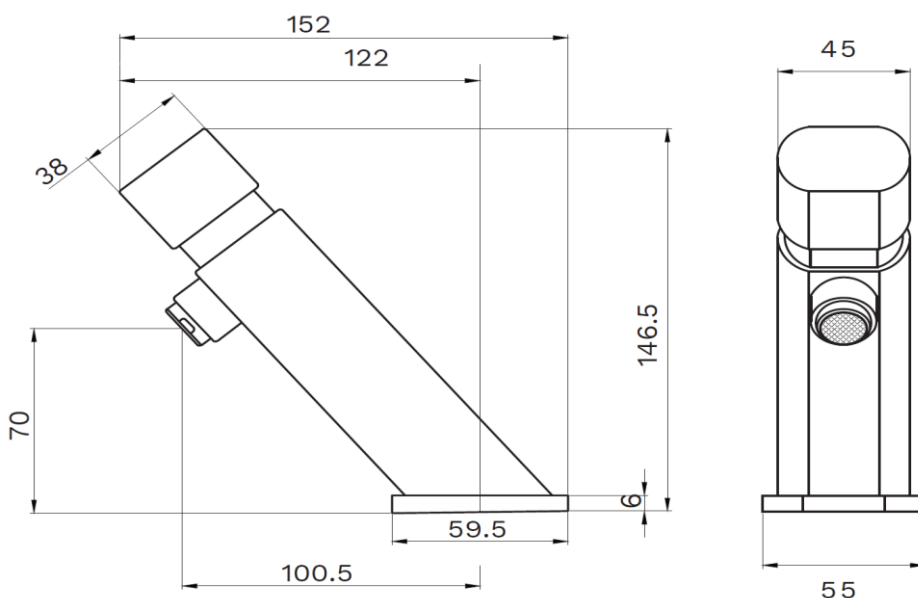
GTTFT7500

Flostop Bench Mounted Angled Single Temperature
Timed Flow Pillar Tap



Technical Specification

- Materials: Brass
- Cartridge: Timed flow (hydraulic)
- Cartridge Size: 15mm
- Inlet: 15mm Female flexible connections (G 1/2" BSP)
- Outlet: Aerated flow
- Run Time: 5 (+/-1) Seconds (fixed)
- Working Pressures: 150kPa-500kPa
- Rec. Working Pressures: 350kPa
- Working Temperatures: 5°C - 50°C
- Finish/Colour: Chrome plated
- WELS: 6 Star 3.5L/min



Warranty

[Download the latest warranty statement](#)

Features

- Run time: 5 (+/- 1) seconds (fixed)
- 60° angle
- Soft-close, hydraulically operated time flow suitable for all markets, including childcare
- Concealed aerator
- Designed for durability and to be anti-vandal so suitable for use in public areas
- One service kit used across the whole range
- Supplied with inlet strainer and flow controller
- Recommended for commercial and public projects.